

TwinPoint Gen2
WOOD PANELS



Folding door lock with internal and external access

centor®

Download options

Centor's brochures, technical documents and drawings can be downloaded from;

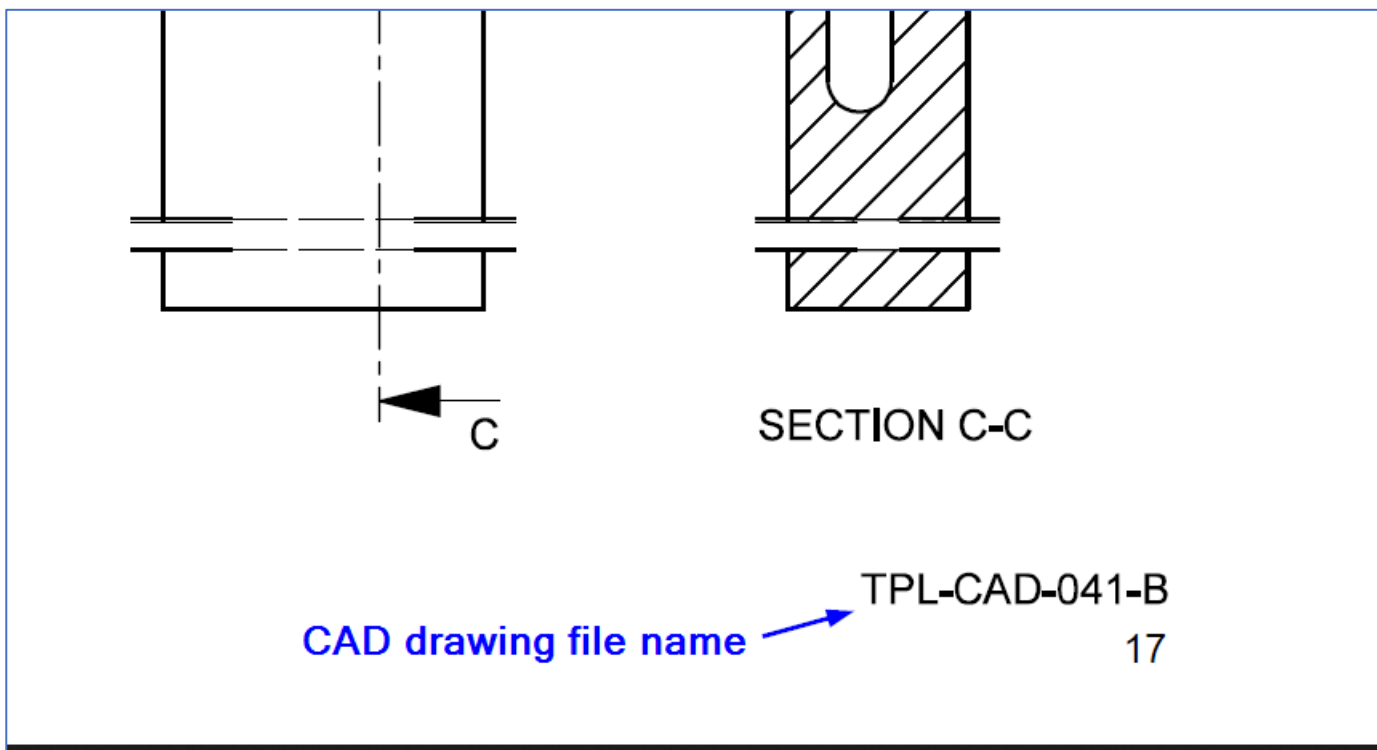
1. Bottom of the TwinPoint Gen2 website page
2. Professional section of Centor's webpage
3. This link. <https://centor.com/us/hardware-systems/accessories/centortwinpoint-lock>

Downloads	
TwinPoint Gen2 Brochure	pdf
TwinPoint Gen2 Hollow Panels technical document	pdf
TwinPoint Gen2 Wood Panels technical document	pdf
TwinPoint Gen2 Drawings (dwg)	zip
TwinPoint Gen2 Drawings (dxf)	zip

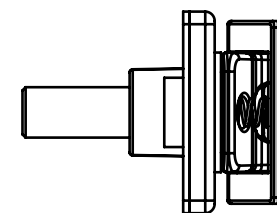
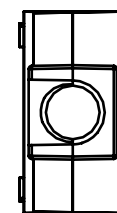
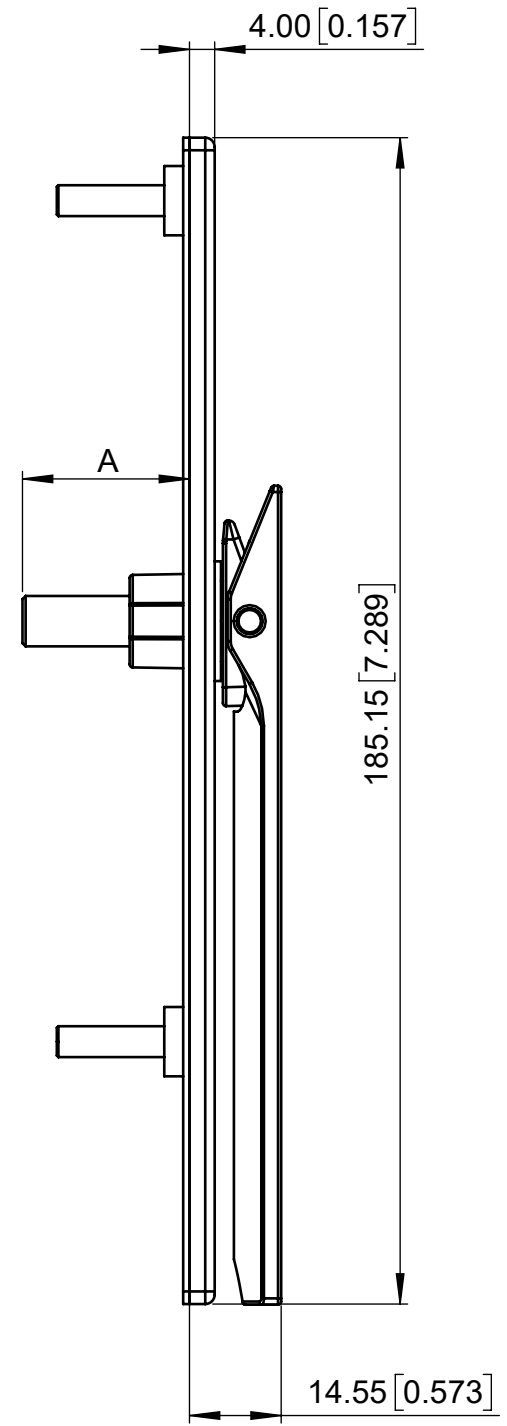
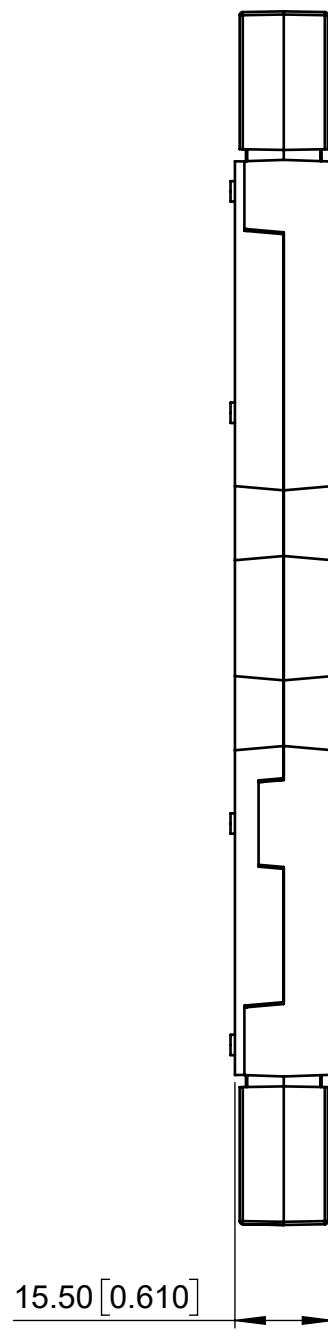
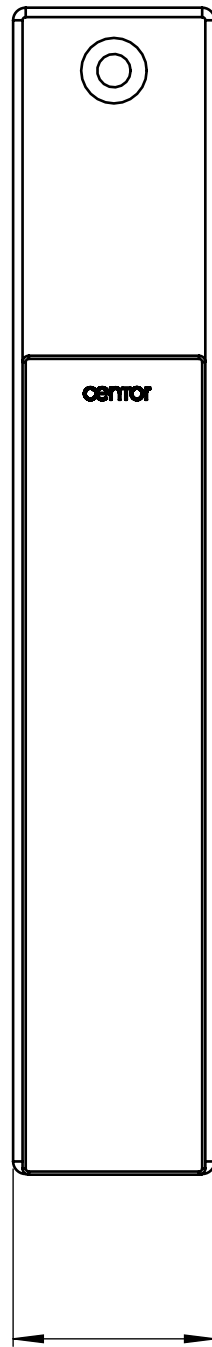
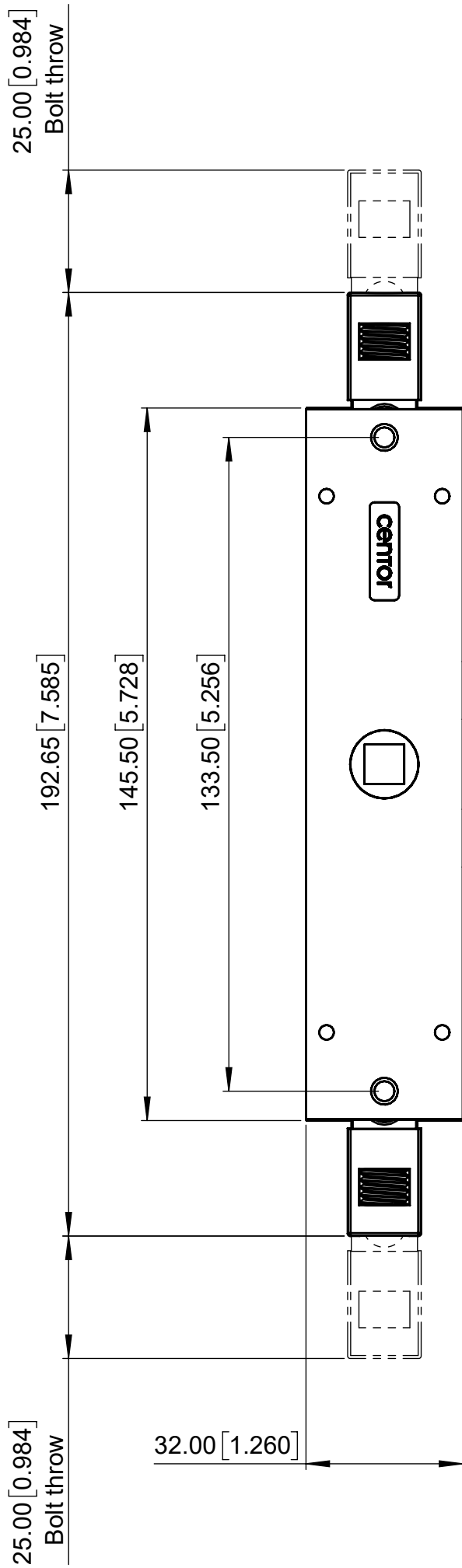
2D CAD drawing download

The drawings download provides a folder that contains all the drawings.

1. There are two folders. One for dwg and one for dxf.
2. Use the technical documents as an index to select the appropriate drawing. The drawing file name is printed at the bottom right corner of the page.



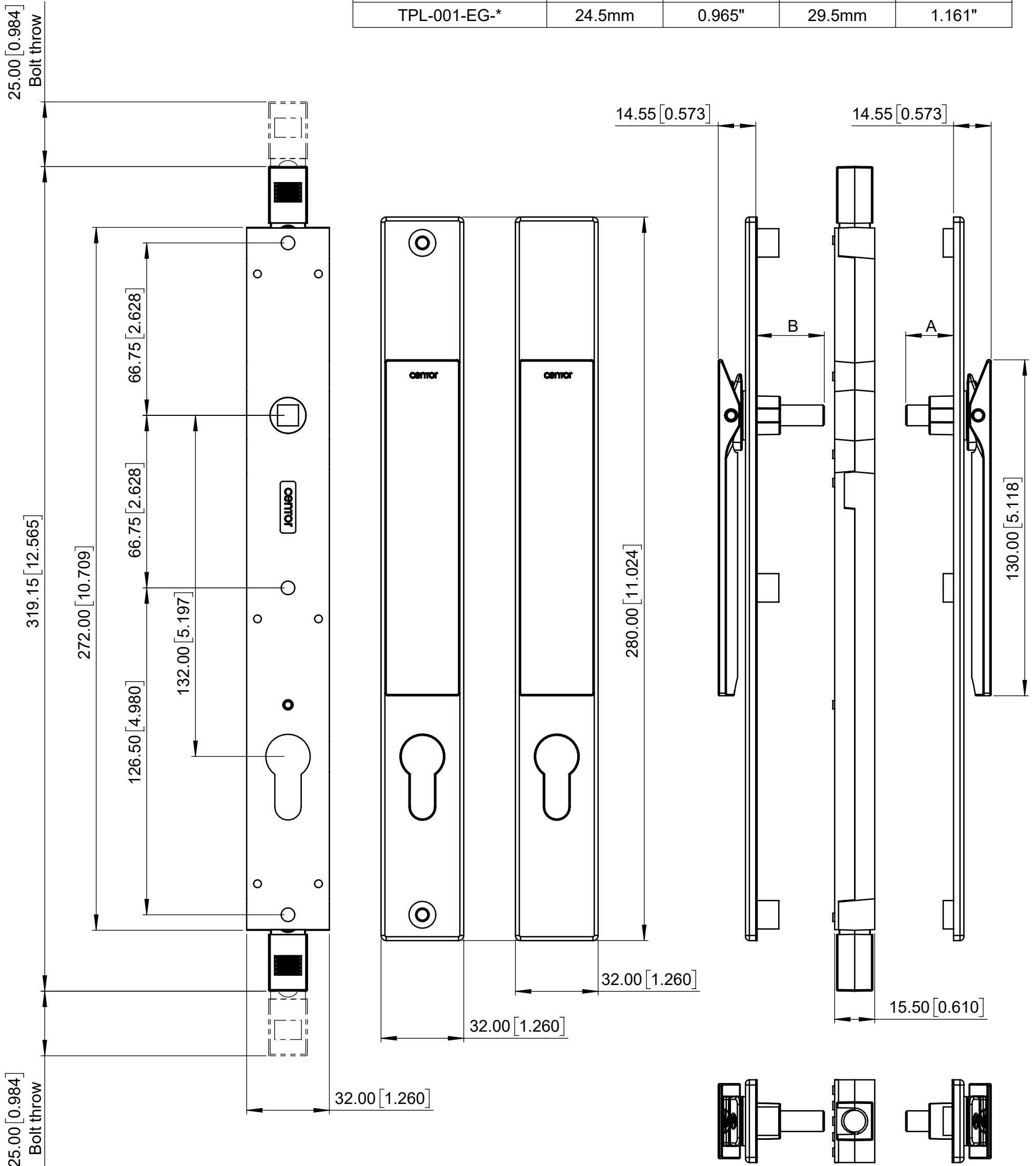
SINGLE HANDLE NON-KEYED



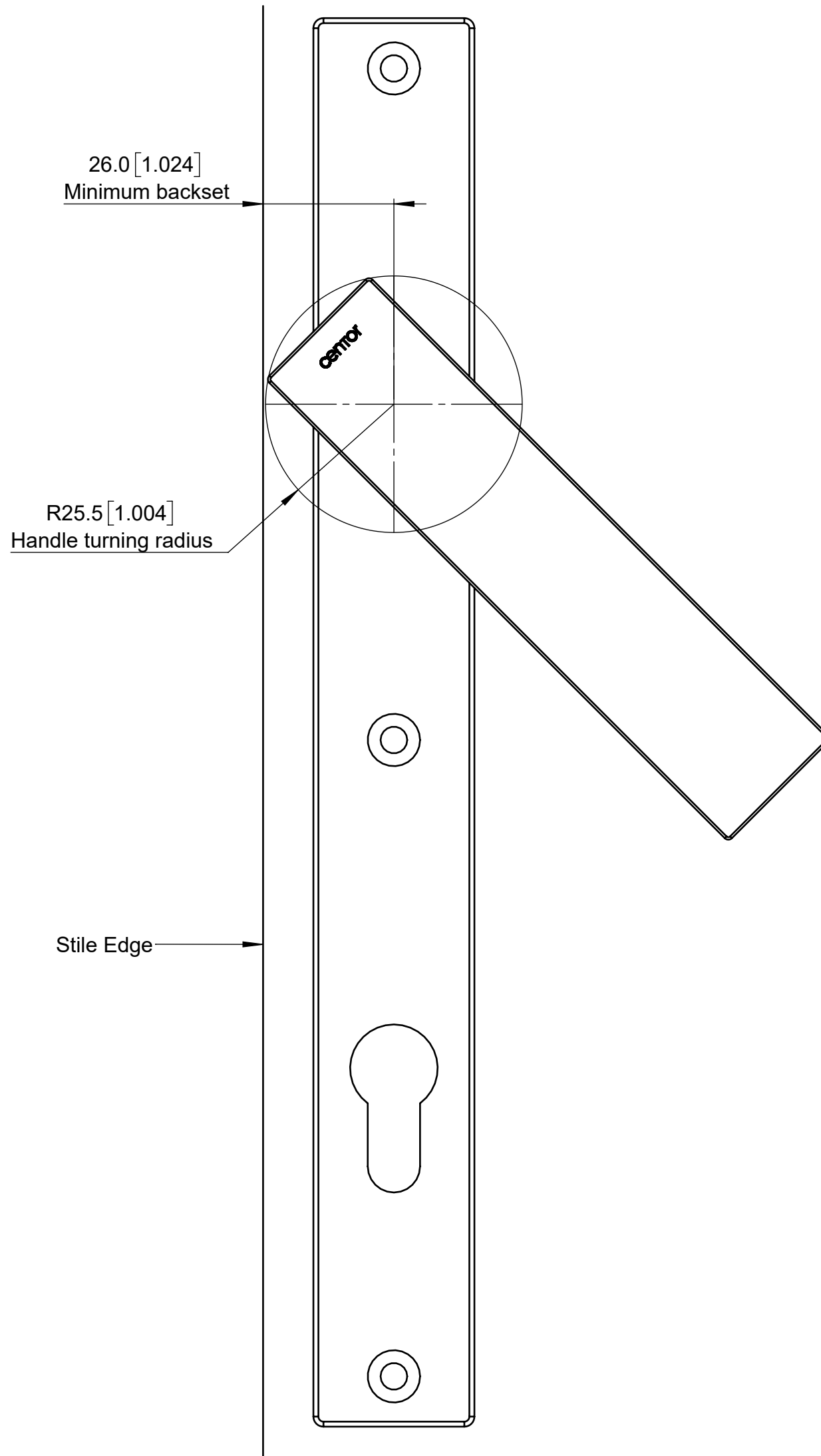
Handle item number	A	
	TPL-002-C-*	20.5mm
TPL-002-G-*	29.5mm	1.161"
TPL-002-I-*	33.5mm	1.319"

DOUBLE HANDLE KEYED

Handle item number	A (internal)		B (external)	
	mm	in	mm	in
TPL-001-AE-*	16.5mm	0.650"	24.5mm	0.965"
TPL-001-EG-*	24.5mm	0.965"	29.5mm	1.161"



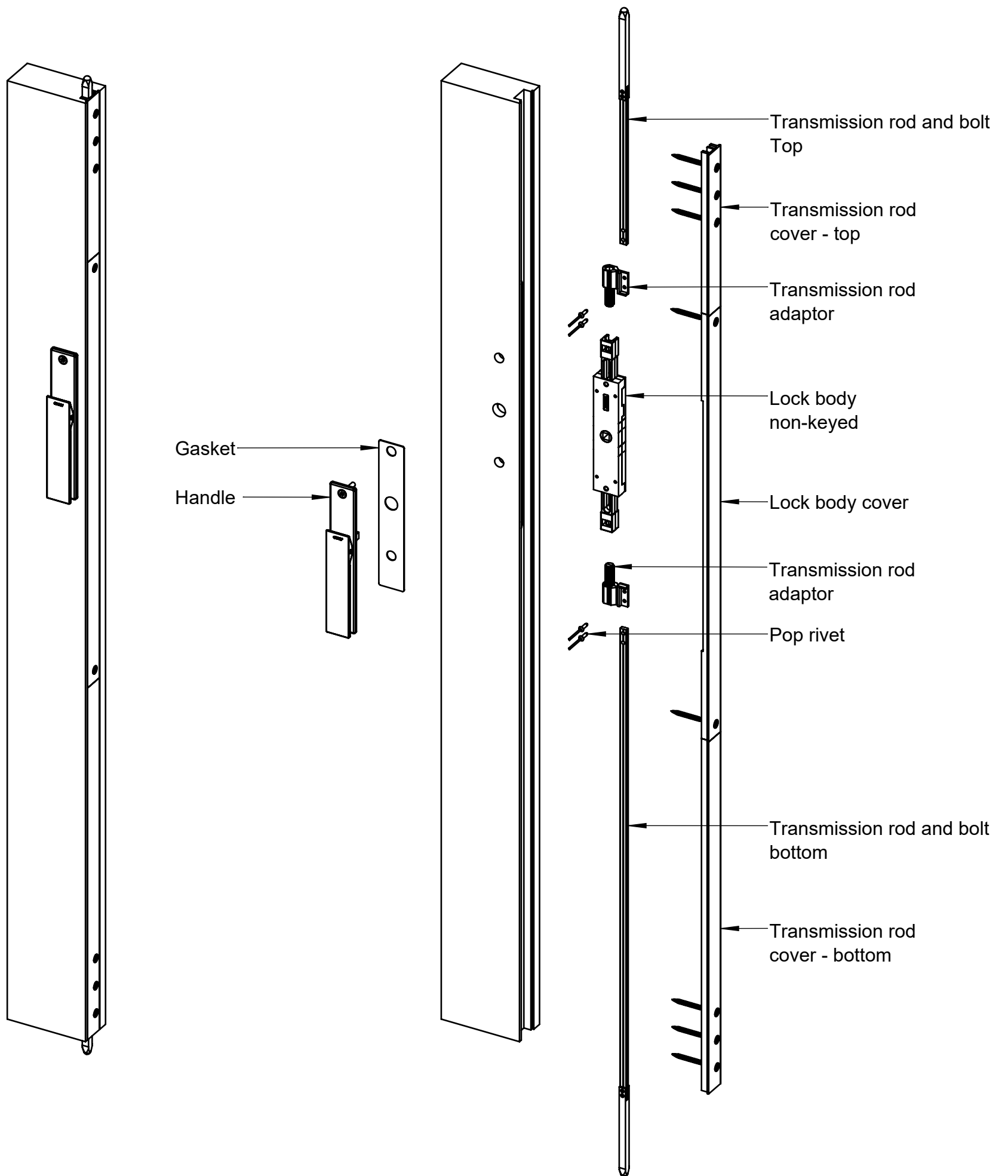
HANDLE BACKSET DETAIL



Notes:
Keyed handle shown. Same requirements apply to non-keyed version.

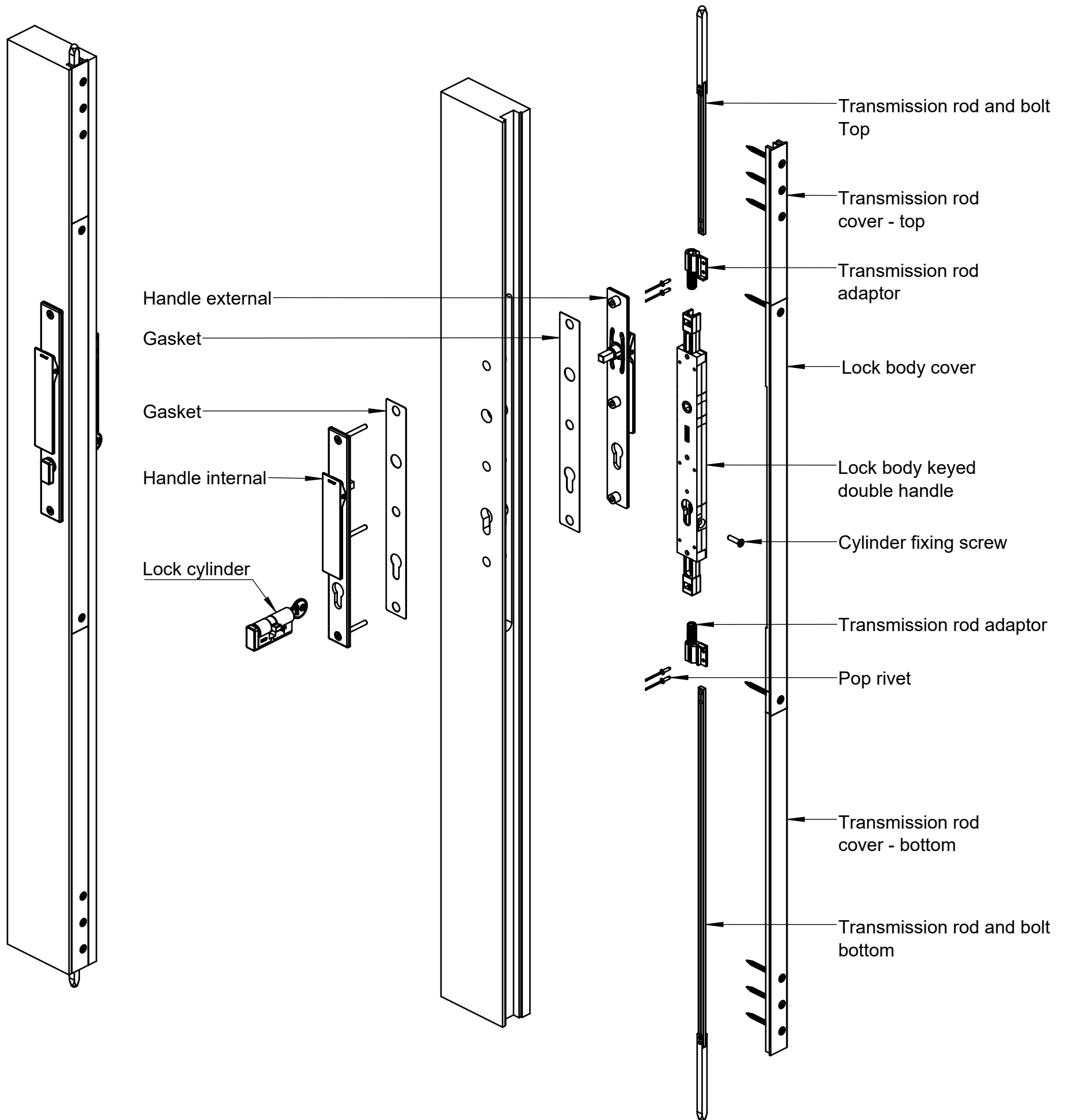
PRODUCT DETAIL

Wood Panels with TwinPoint Gen2 single handle non-keyed



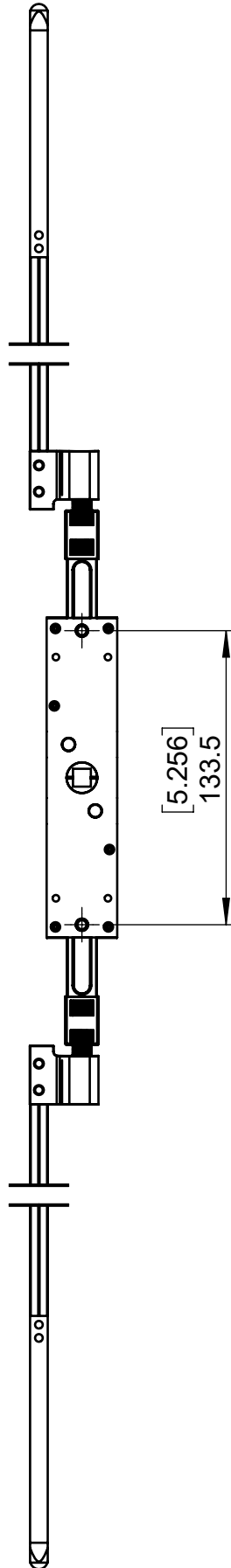
PRODUCT DETAILS

Wood panels with TwinPoint Gen2 double handle keyed

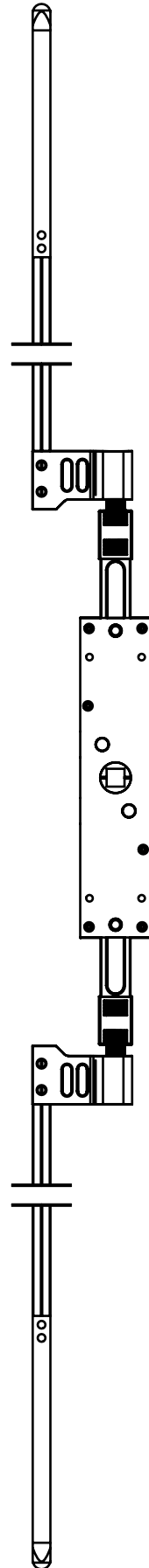


ASSEMBLY DETAIL

Non-keyed



Backset 26mm [1.575"]



Backset 40mm [1.969"]

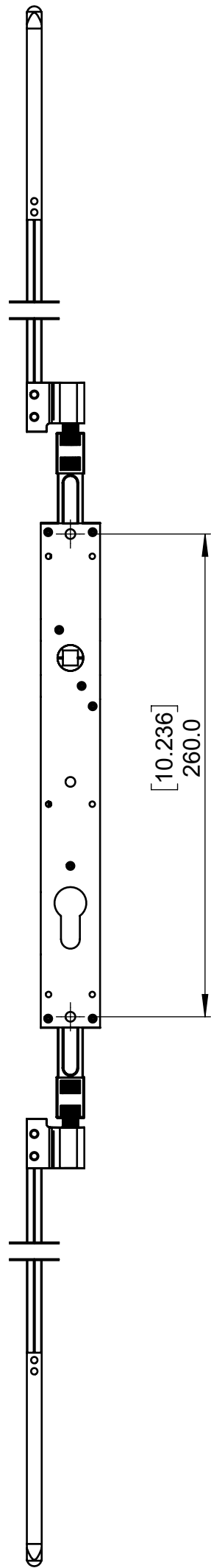


Notes:

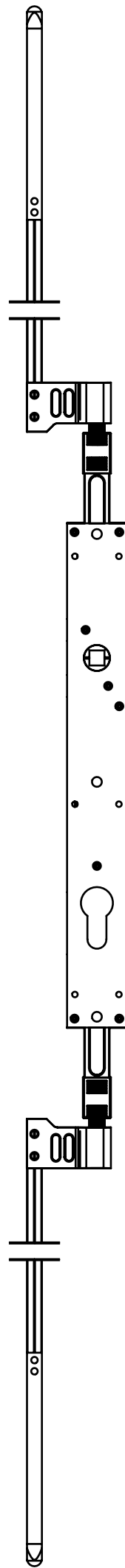
1. Lock shown in extended state.

ASSEMBLY DETAIL

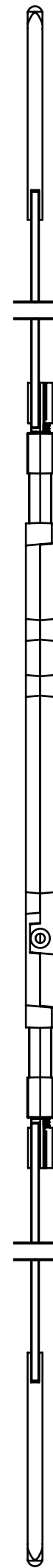
Keyed



Backset 26mm [1.575"]



Backset 40mm [1.969"]



Notes:

1. Lock shown in extended state.

TRANSMISSION COVER AND ROD LENGTH FORMULA

Covers

Top	All	$TC = PH - HH - 194$
Bottom	Long lock body cover	$BCL = HH - 350$
	Short lock body cover	$BCS = HH - 194$

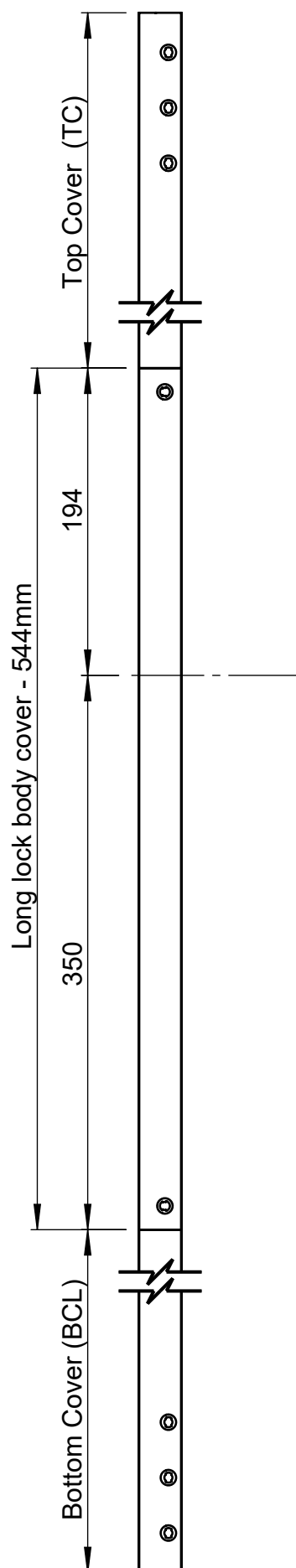
Transmission rods with attached bolt

Top	All	$TR = PH - HH - 99$
Bottom	Keyed lock	$BRK = HH - 226$
	Non-keyed lock	$BRN = HH - 99$

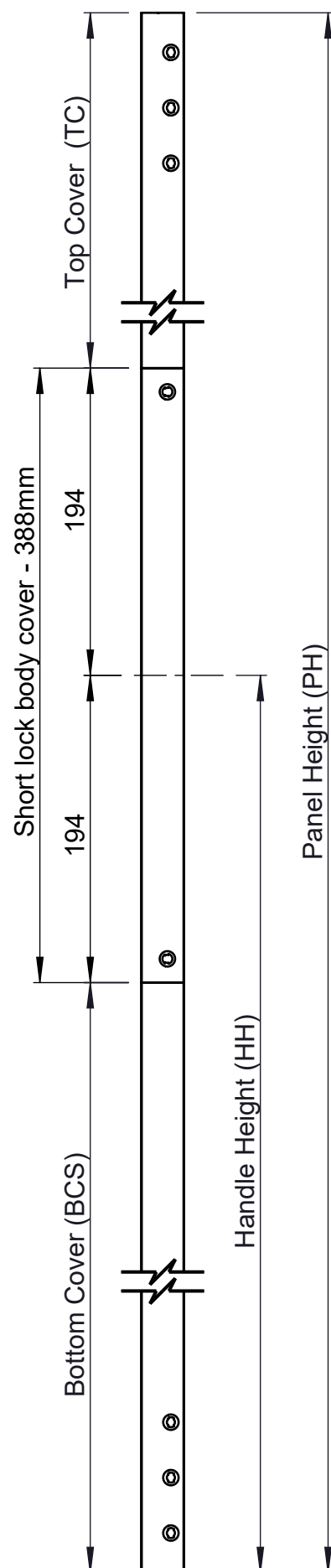
Notes:

- All dimensions in mm.

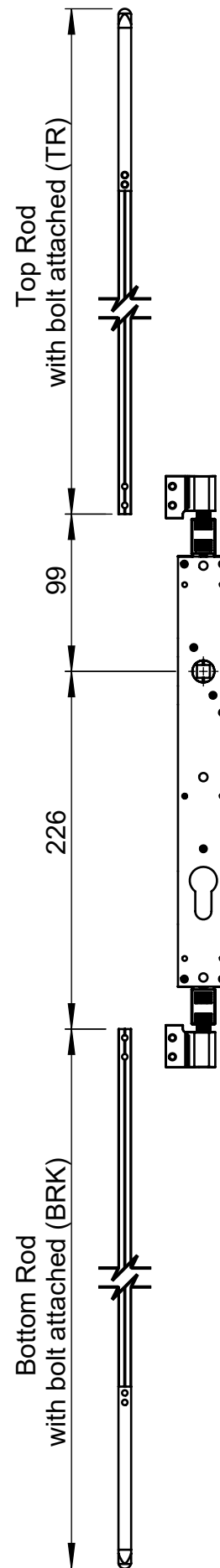
Long lock body cover



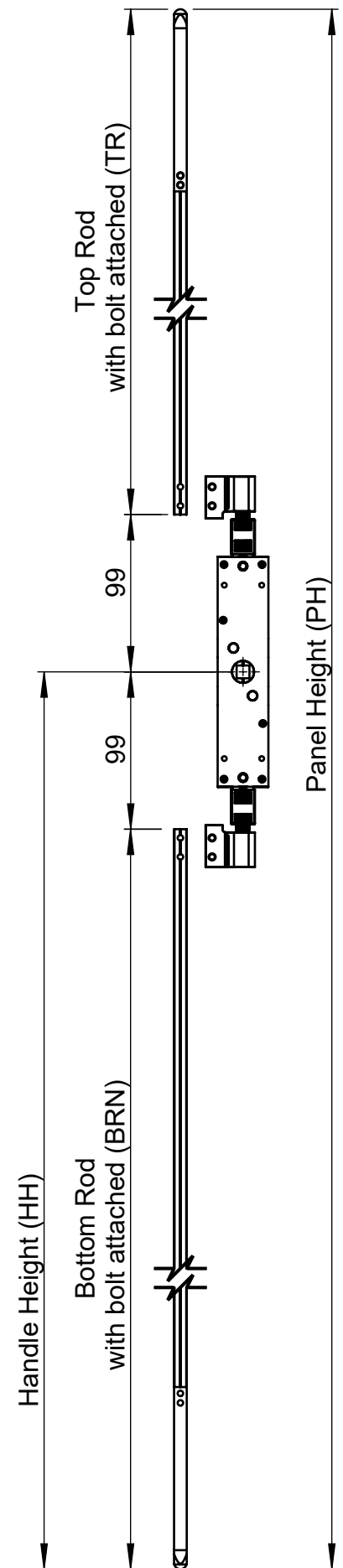
Short lock body cover



Keyed lock



Non-Keyed lock



PANEL AND HANDLE HEIGHT LIMITS**Long lock body cover - 544mm**

Handle height		Panel height			
		Min	Max. with transmission rod sets		
			8'	10'	13'
Standard	914	1328	2443	3053	3978
Min	570	984	2099	2709	3634
Max (non keyed lock)	1029	1443	2558	3168	4093
Max (keyed lock)	1156	1570	2685	3295	4220

Short lock body cover - 388mm

Handle height		Panel height		
		Min	Max. with transmission rod sets	
			46"	72"
Standard	432	846	1176	1831
Min	414	828	1158	1813
Max (non keyed lock)	549	963	1293	1948

Cover and rod lengths supplied with kits

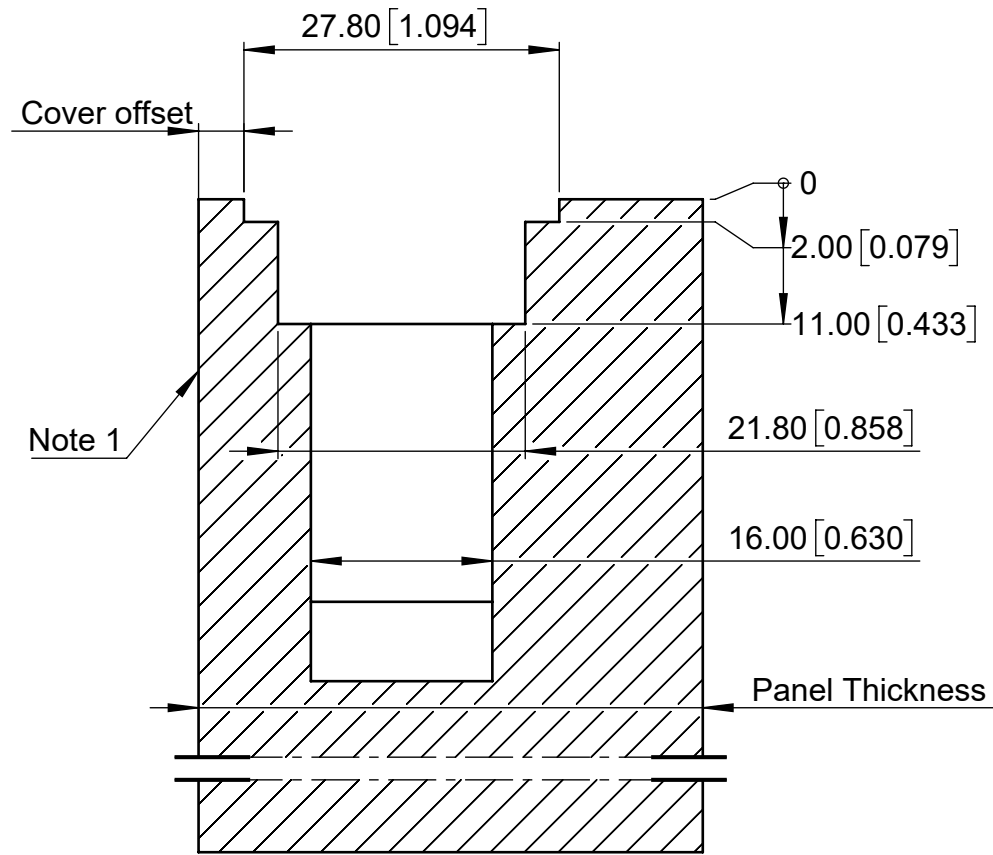
		Transmission rod sets				
		46"	72"	8'	10'	13'
2 x Covers		550	1205	1335	1945	2870
Rod	Bottom	450	450	930	930	930
	Top	650	1305	1435	2045	2970

Notes:

1. All dimensions in mm.
2. Rod length includes bolt.
3. Refer to graphics in previous page.

ROUTING DETAIL

TwinPoint Gen2 lock body - single handle non-keyed



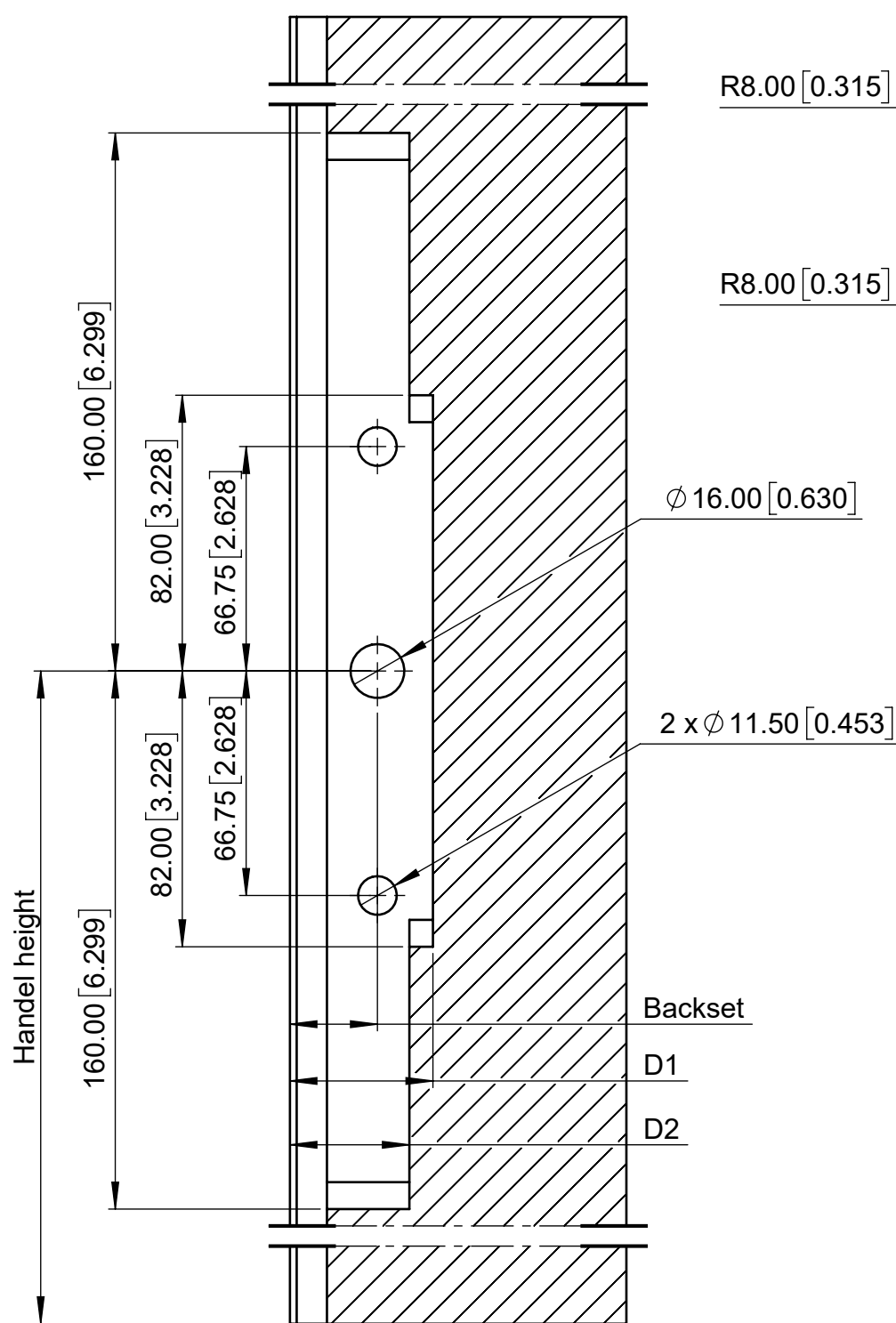
SECTION B-B

Backset (mm)	D1 (mm)	D2 (mm)
26.0	42.5	35.5
40.0	56.5	49.5

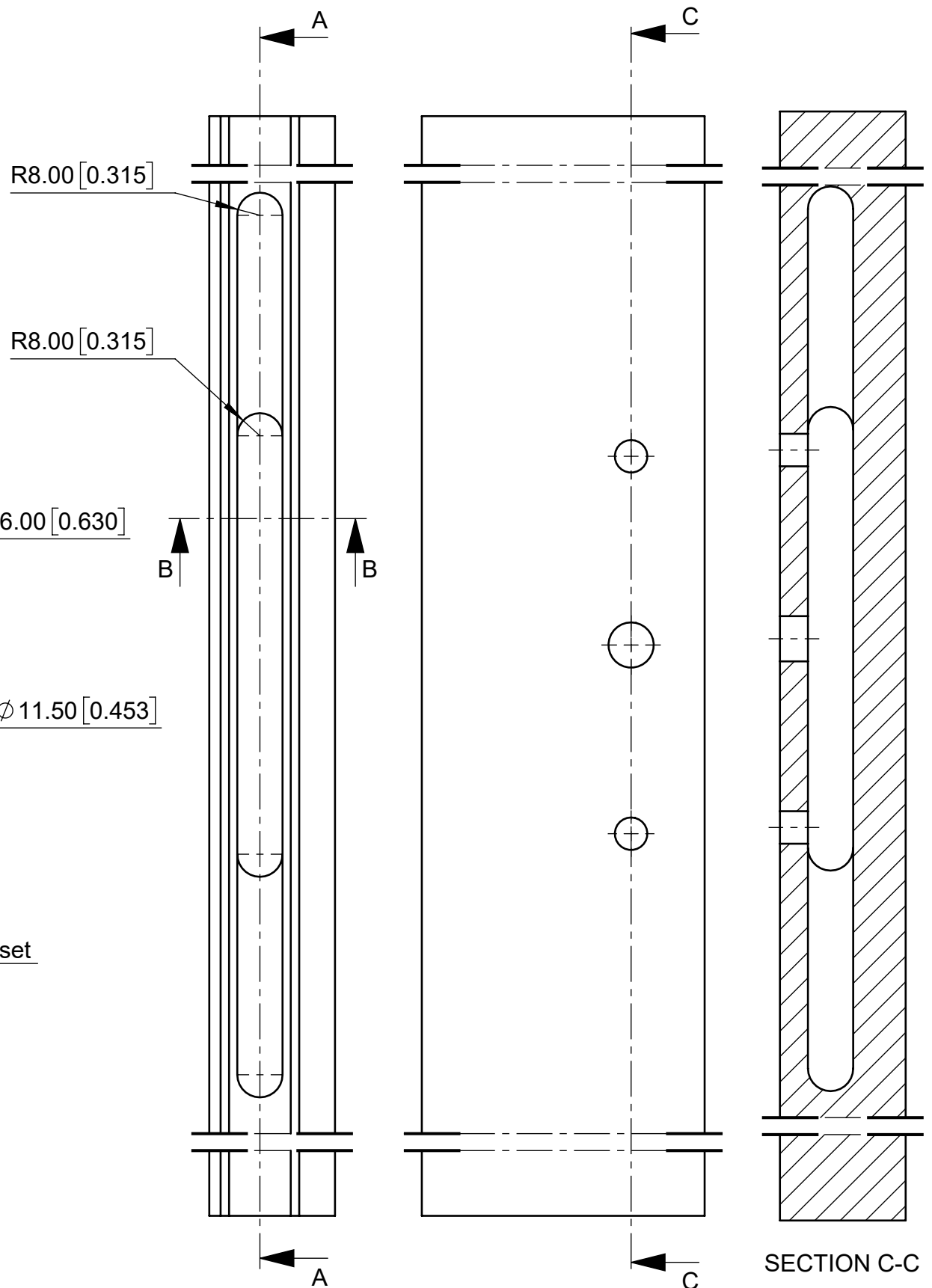
Backset (inch)	D1 (inch)	D2 (inch)
1.024	1.673	1.398
1.575	2.224	1.949

Notes:

1. Inside for outward opening or outside for inward opening.
2. Dimension "Cover offset" refers to section ROUTING DETAIL - Transmission rod cover.



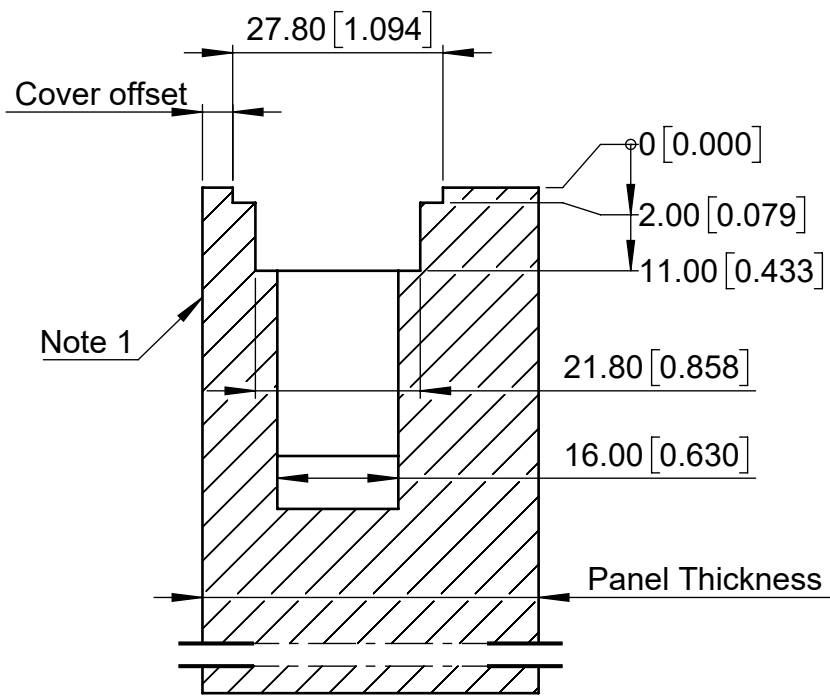
SECTION A-A



SECTION C-C

ROUTING DETAIL

TwinPoint Gen2 lock body - double handle keyed



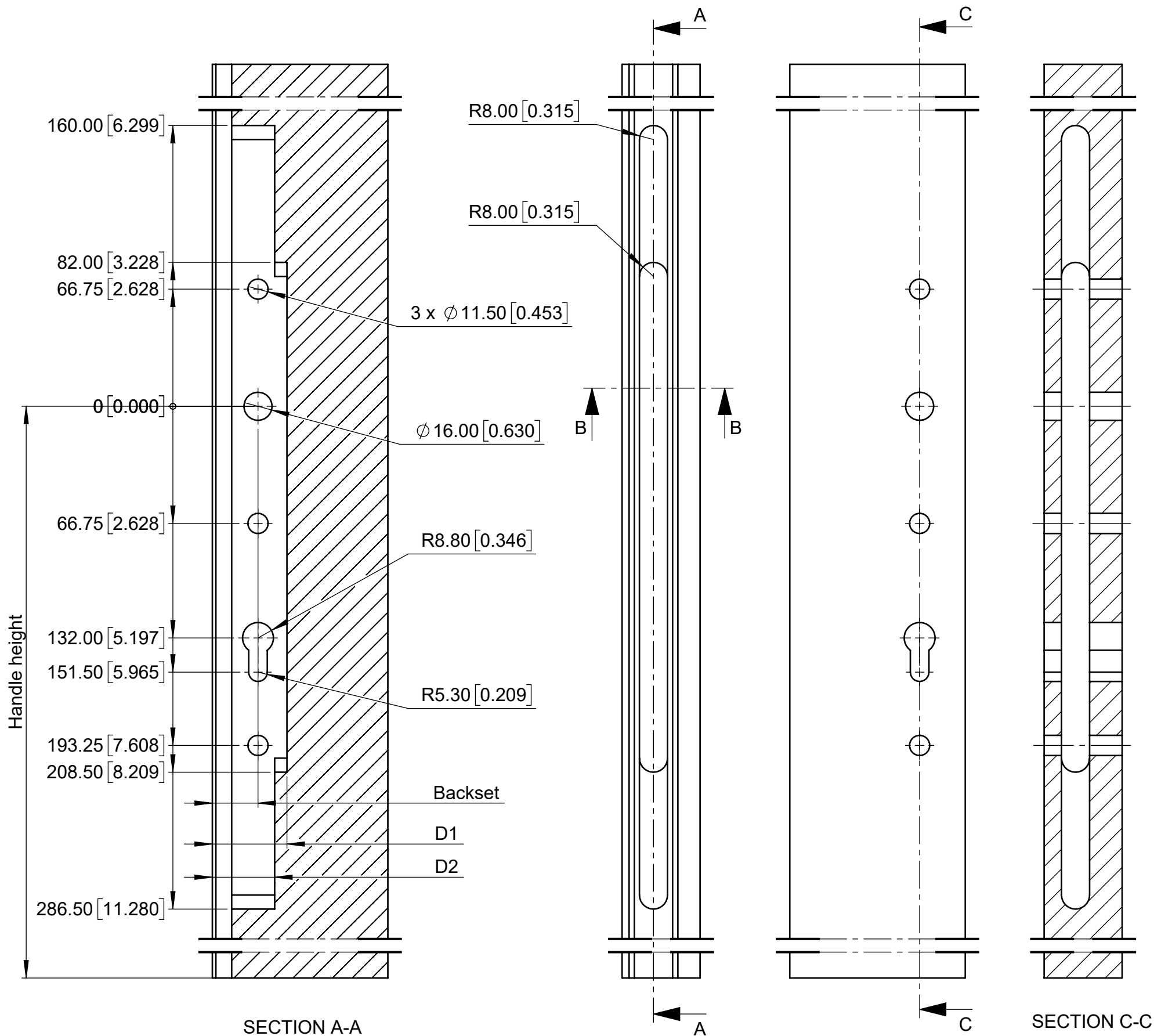
SECTION B-B

Backset (mm)	D1 (mm)	D2 (mm)
26.0	42.5	35.5
40.0	56.5	49.5

Backset (inch)	D1 (inch)	D2 (inch)
1.024	1.673	1.398
1.575	2.224	1.949

Notes:

1. Inside for outward opening or outside for inward opening.
2. Dimension "Cover offset" refers to section ROUTING DETAIL - Transmission rod cover.

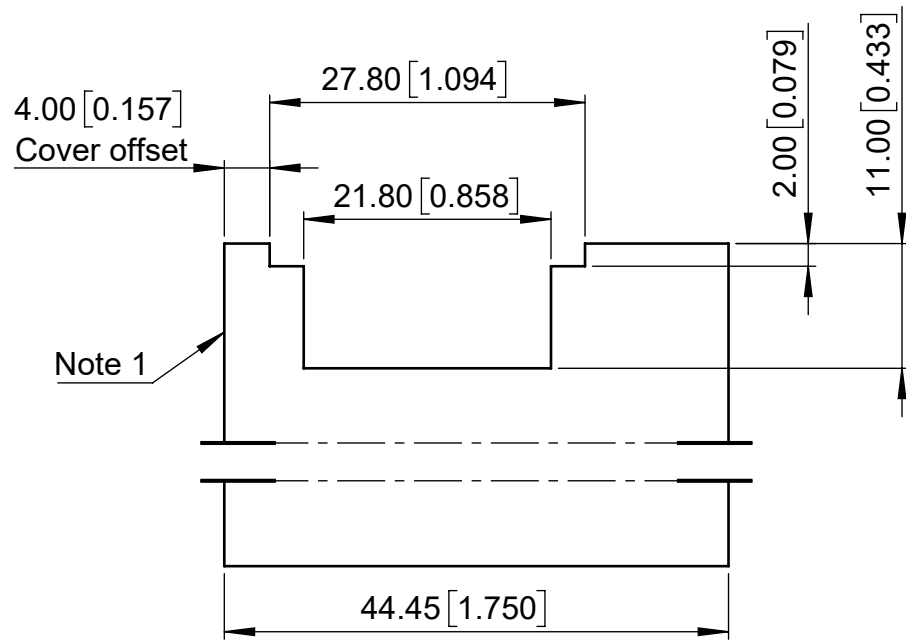


SECTION A-A

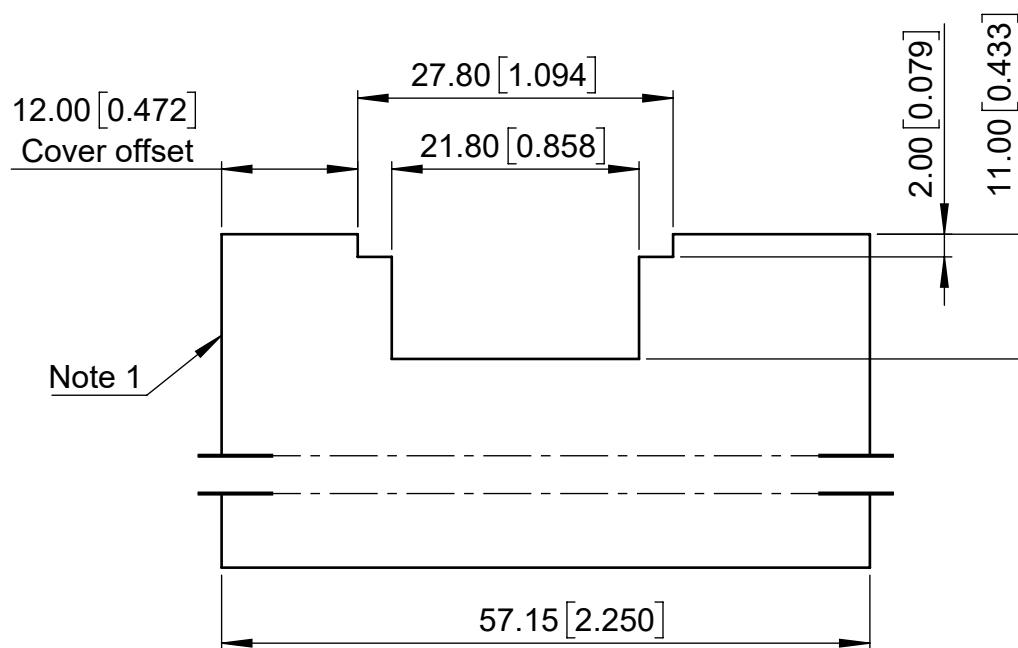
SECTION C-C
TPL-CAD-005-F

ROUTING DETAIL

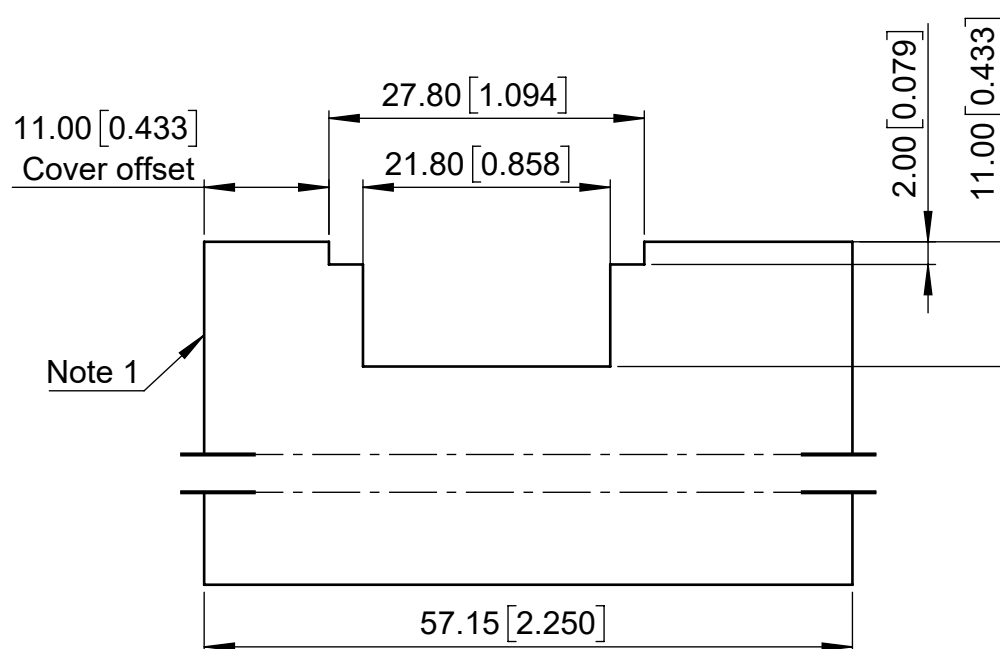
Transmission rod cover



Routing suits 4.00mm/0.157" cover offset



Routing suits 12.00mm/0.472" cover offset

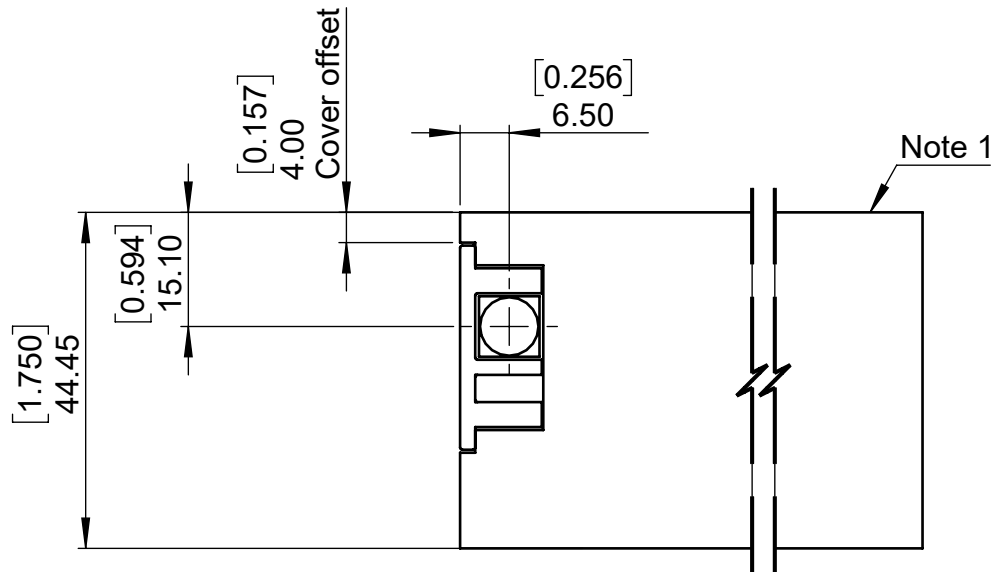


Routing suits 11.00mm/0.433" cover offset

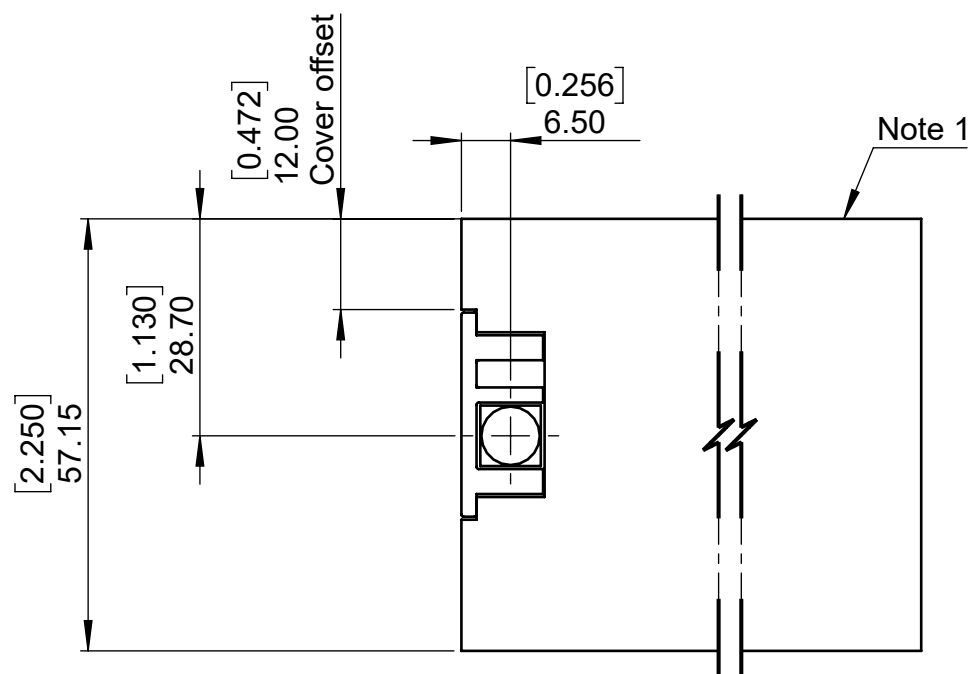
Notes:

1. Inside for outward opening or outside for inward opening.
2. Apply machining to the full length of the stile.

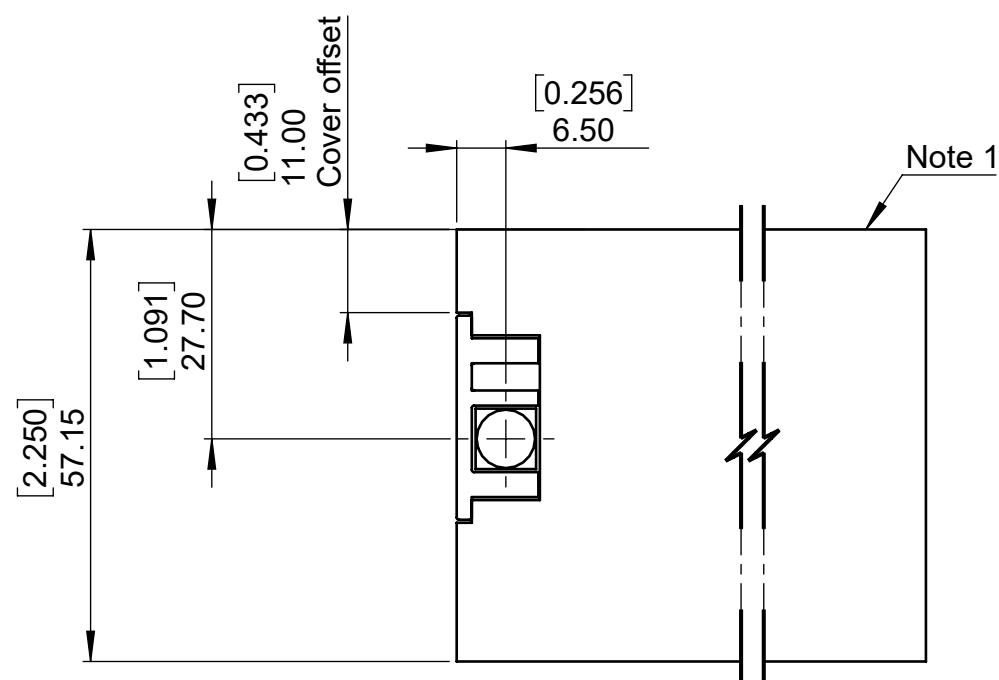
BOLT POSITION IN STILE



Bolt position for 4.00mm/0.157" cover offset



Bolt position for 12.00mm/0.472" cover offset

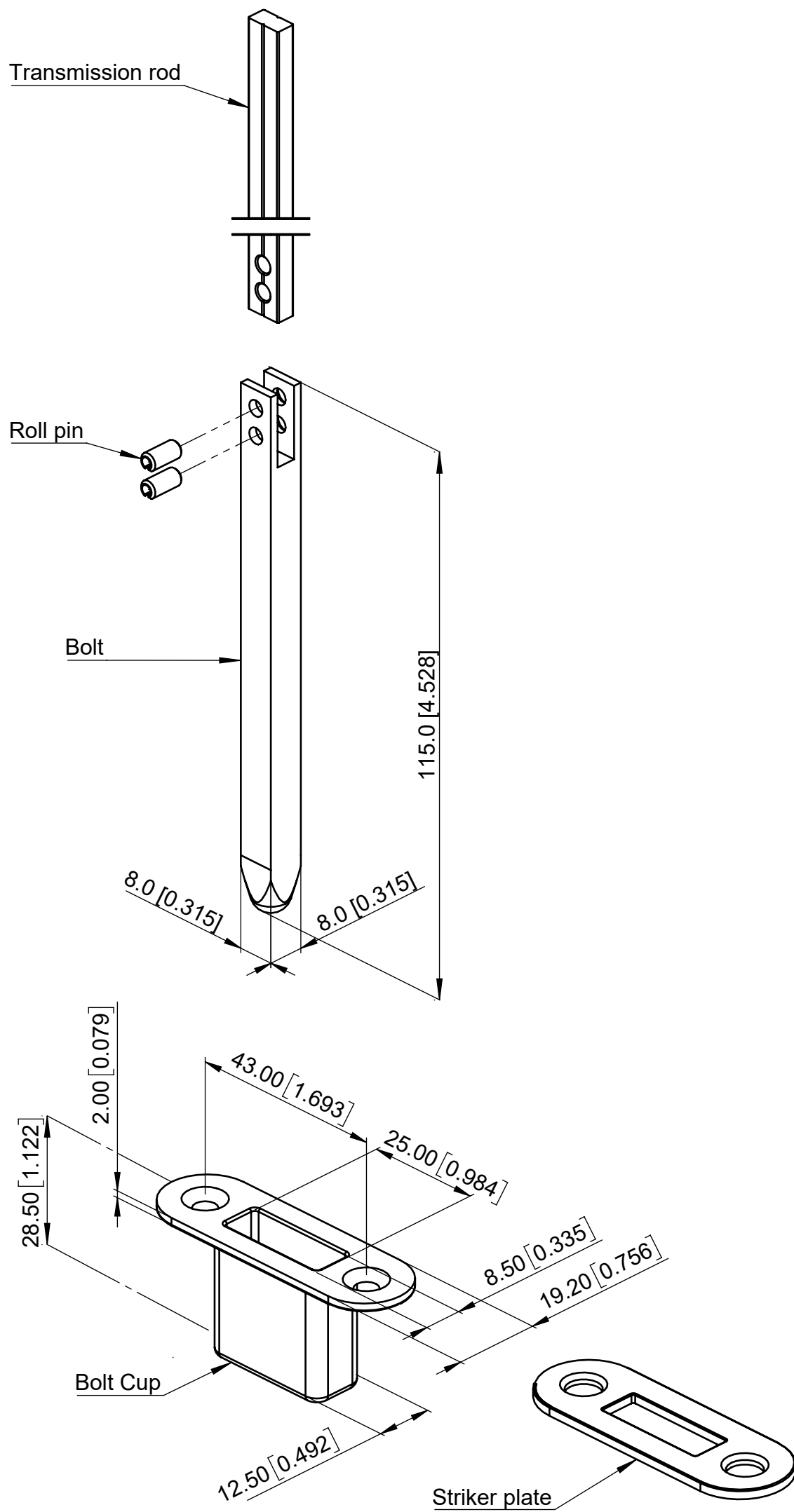


Bolt position for 11.00mm/0.433" cover offset

Notes:

1. Inside for outward opening or outside for inward opening.

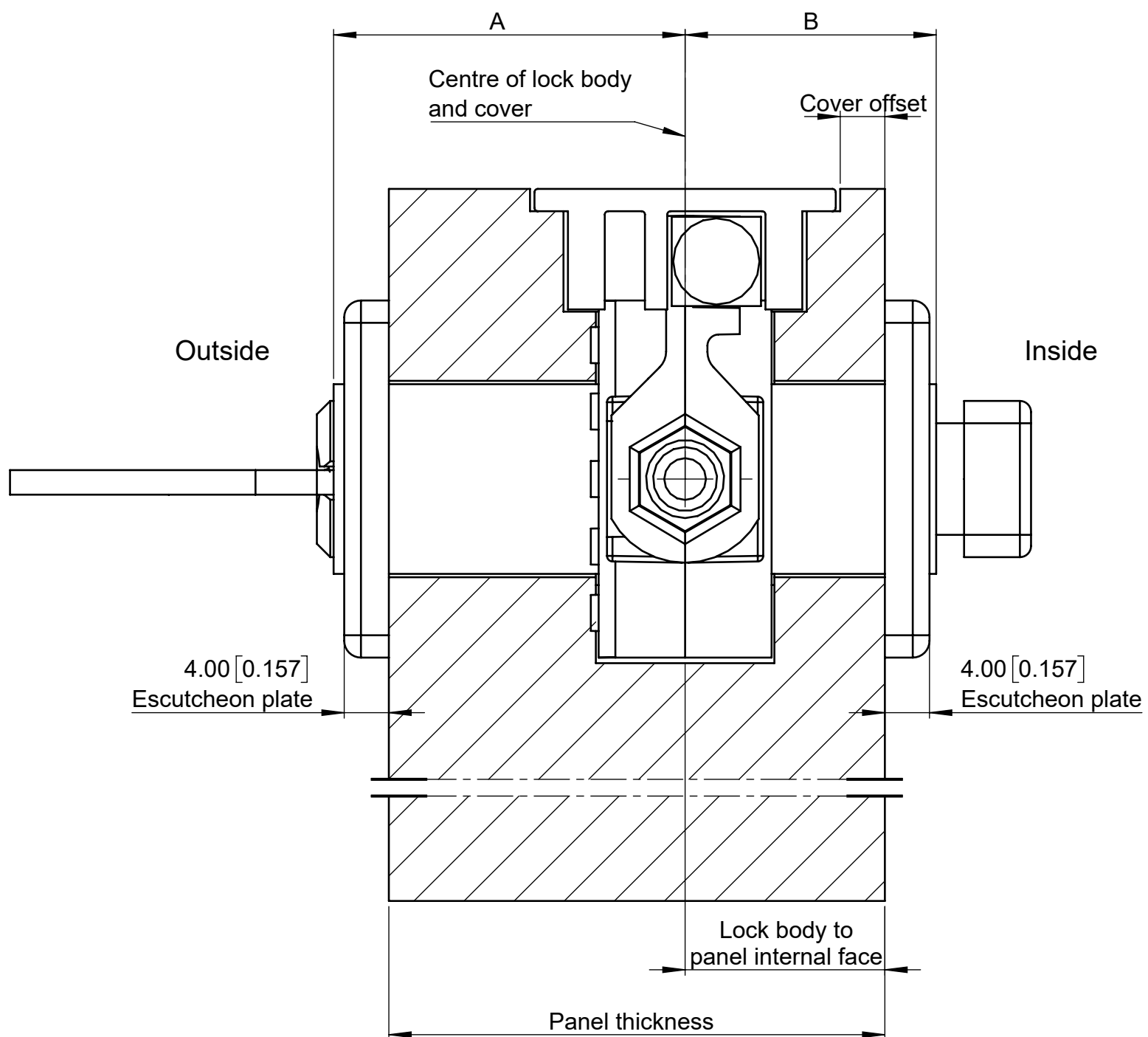
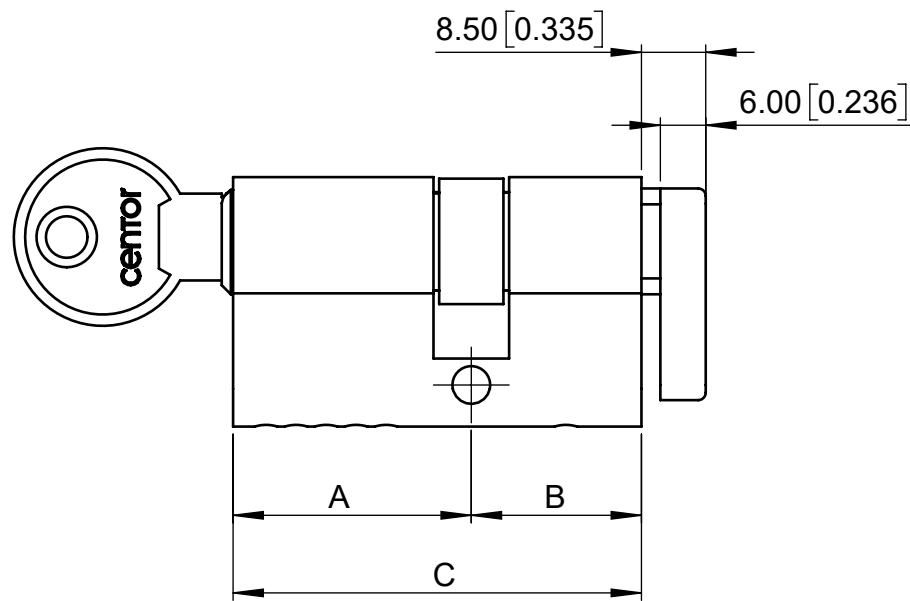
BOLT AND CUP/STRIKE PLATE DETAIL



LOCK CYLINDER DETAIL

Cylinder size and positioning

Cylinder type	Dimension			Cover offset	Lock body to panel internal face	Panel thickness	Opening
	A	B	C				
TPL-019	31.5mm [1.240]	22.5mm [0.886]	54mm [2.126]	4.0mm [0.157]	17.9mm [0.705]	44.45mm [1.750]	Outward
TPL-020	36.5mm [1.437]	30.5mm [1.201]	67mm [2.638]	12.0mm [0.472] 11.0mm [0.433]	25.9mm [1.020] 24.9mm [0.980]	57.15mm [2.250]	



HANDLE - SPINDLE LENGTH MODIFICATIONS

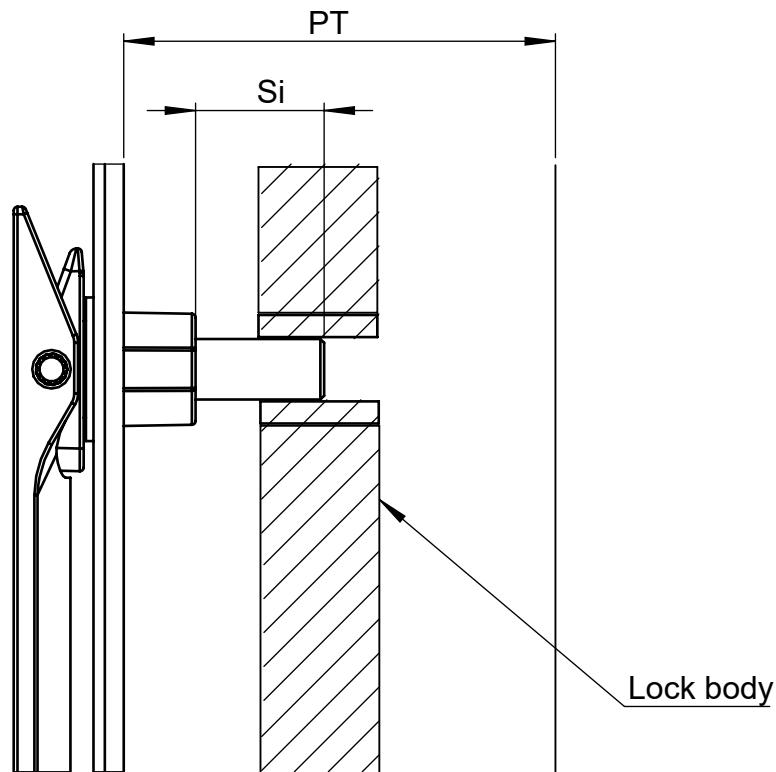
The spindle on a handle set suited to a thicker panel can be shortened to suit a narrower panel.

PT - Panel thickness.

Si - Exposed spindle length on internal handle.

Se - Exposed spindle length on external handle.

Single handles

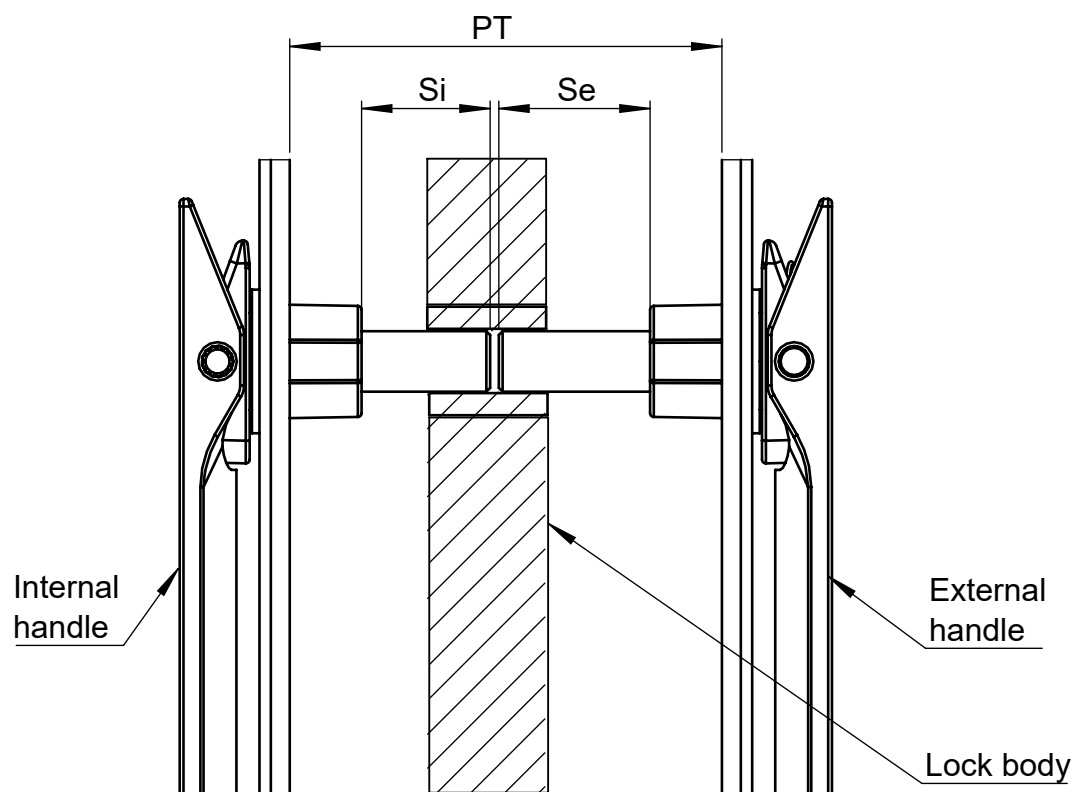


	Si	
	Min	Max
4mm [0.157] cover offset	10mm [0.394]	16mm [0.63]
12mm [0.424] cover offset	18mm [0.7]	24mm [0.95]

Notes:

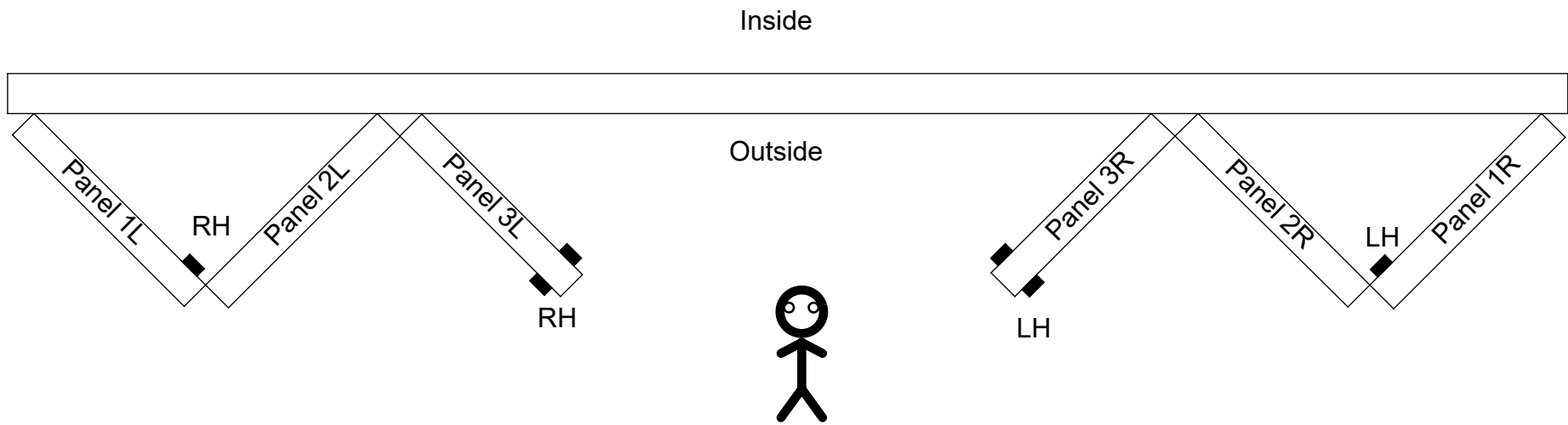
- The spindle may be longer than the maximum specified if the wood is machined to provide clearance.

Double handles



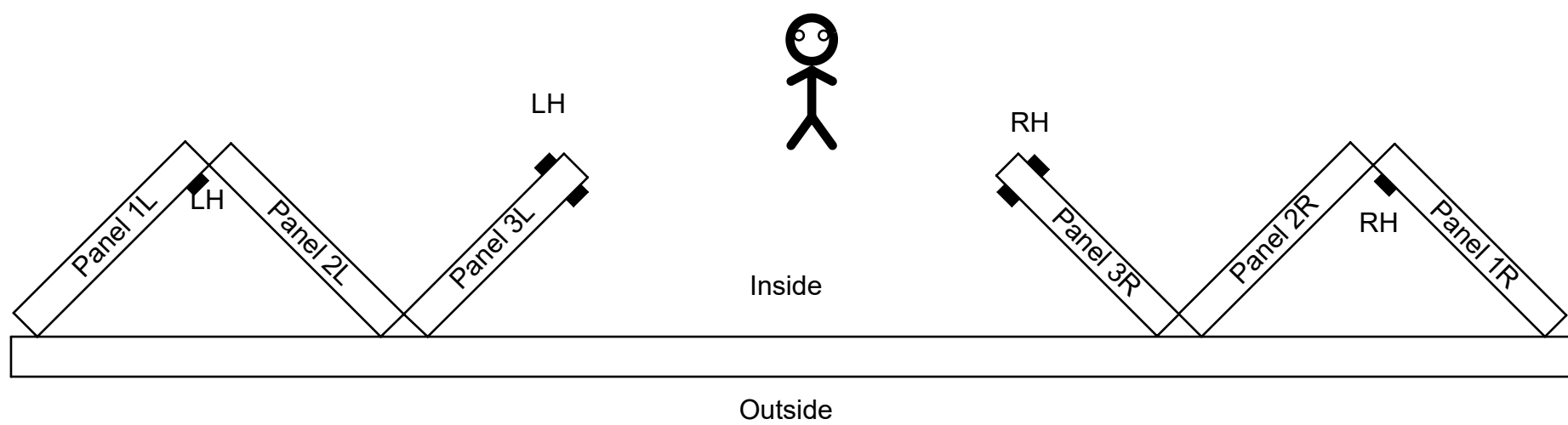
	Si		Se	
	Min	Max	Min	Max
4mm [0.157] cover offset	6mm [0.236]	8mm [0.315]	PT-30mm [1.18]	PT-28mm [1.1]
12mm [0.424] cover offset	14mm [0.55]	16mm [0.63]	PT-38mm [1.49]	PT-36mm [1.14]

Outward opening door



Opening	View	Lock Handing	Location
Outward	From outside	LH - Left hand	Left side of panel
		RH - Right hand	Right side of panel

Inward opening door

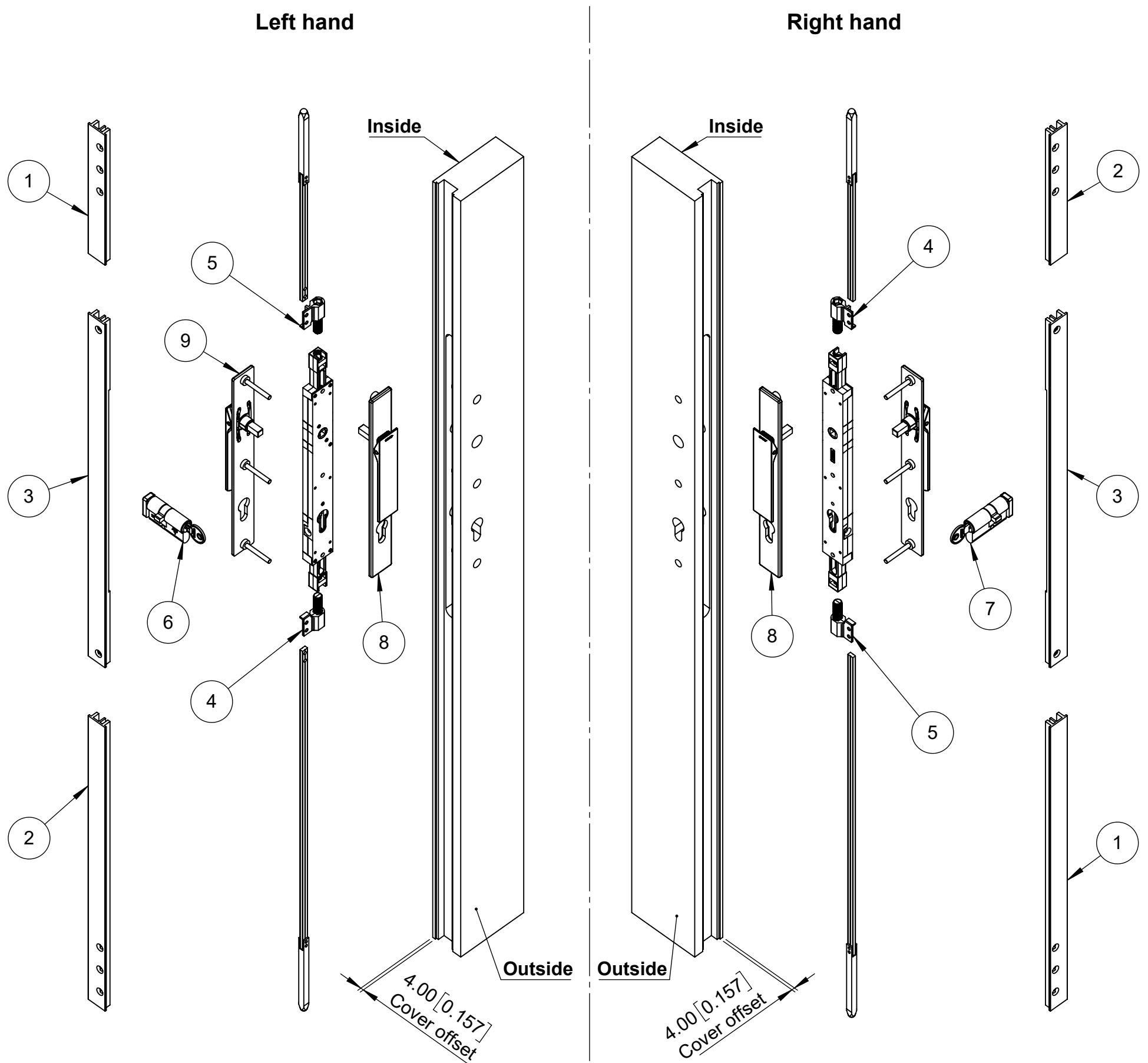


Opening	View	Lock Handing	Location
Inward	From inside	LH - Left hand	Left side of panel
		RH - Right hand	Right side of panel

HANDING DETAILS

Outward opening with 4mm cover offset

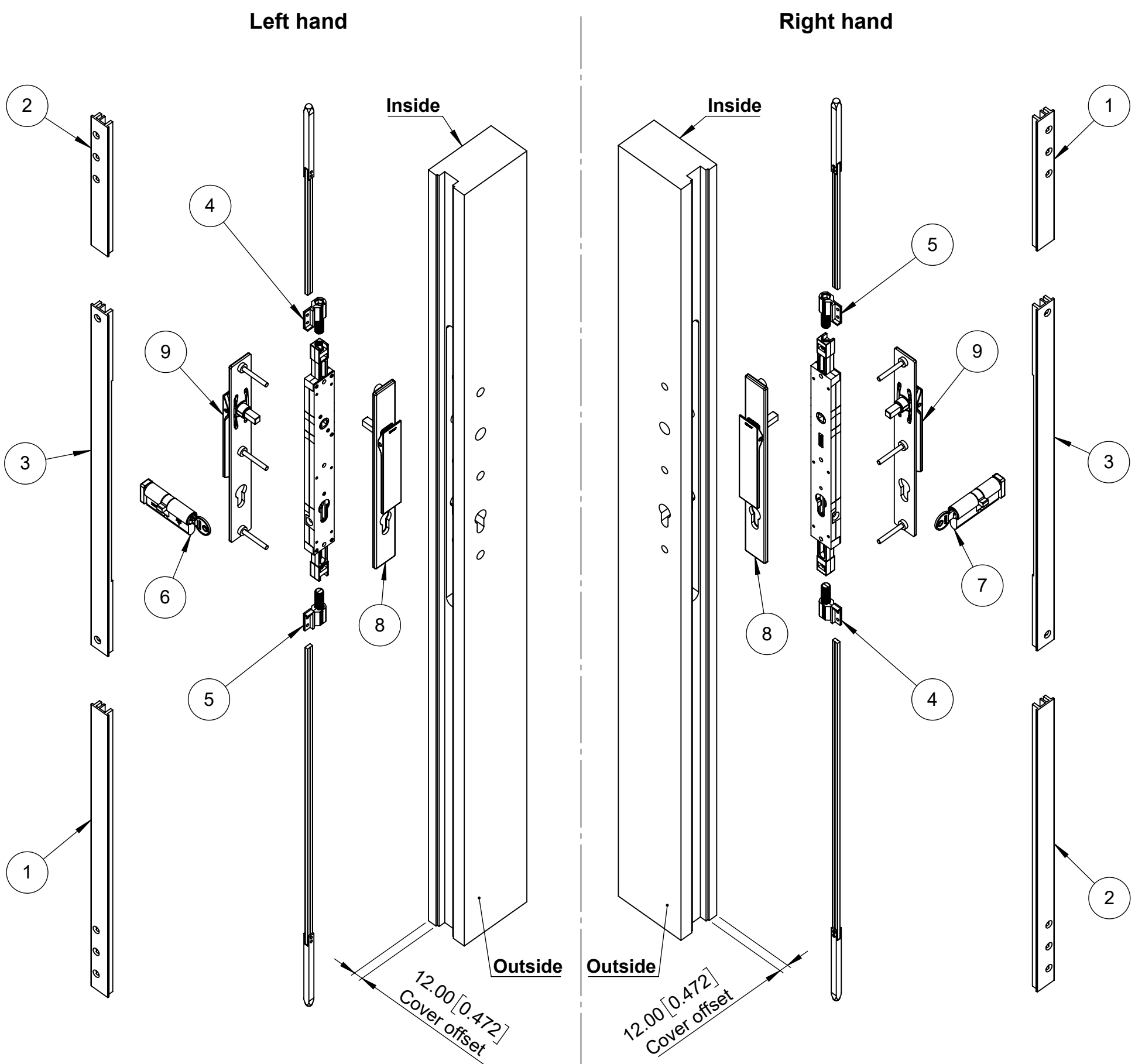
Item number	Description
1	Two covers are supplied with the same length, but are located differently for left hand and right hand lock assemblies. E.g the bottom cover for left will go to the top for right and vice versa.
2	
3	The same lock body cover is used regardless but oriented differently for left and right hand lock assemblies.
4	LKC-518-C for 26mm backset or LKC-518-E for 40mm backset. Part numbers are branded on parts.
5	LKC-518-D for 26mm backset or LKC-518-F for 40mm backset. Part numbers are branded on parts.
6	Left hand lock cylinder (handing indication engraved on cylinder body)
7	Right hand lock cylinder (handing indication engraved on cylinder body)
8	External handle
9	Internal handle



HANDING DETAILS

Outward opening with 12mm cover offset

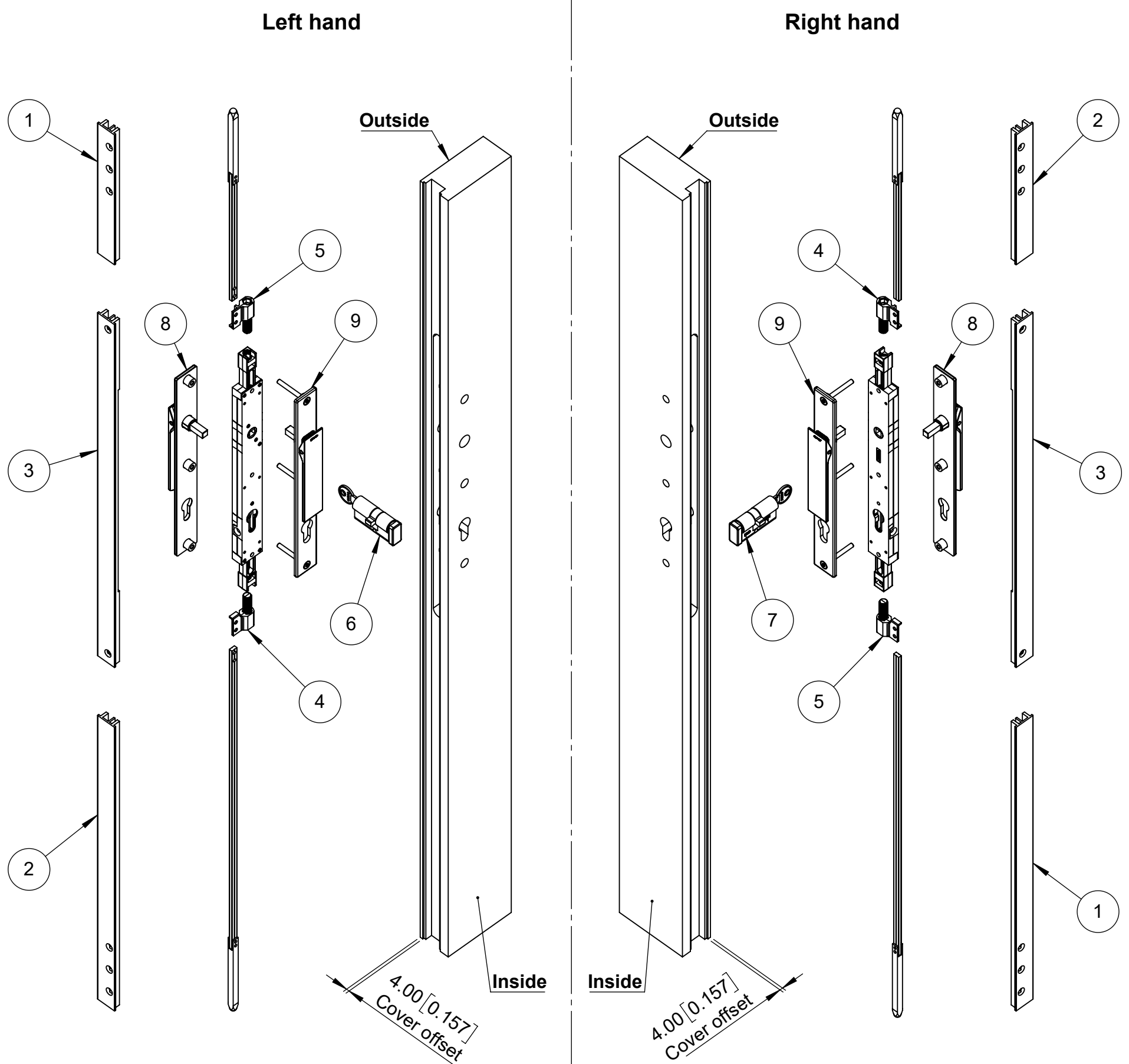
Item number	Description
1	Two covers are supplied with the same length, but are located differently for left hand and right hand lock assemblies. E.g the bottom cover for left will go to the top for right and vice versa.
2	
3	The same lock body cover is used regardless but oriented differently for left and right hand lock assemblies.
4	LKC-518-C for 26mm backset or LKC-518-E for 40mm backset. Part numbers are branded on parts.
5	LKC-518-D for 26mm backset or LKC-518-F for 40mm backset. Part numbers are branded on parts.
6	Left hand lock cylinder (handing indication engraved on cylinder body)
7	Right hand lock cylinder (handing indication engraved on cylinder body)
8	External handle
9	Internal handle



HANDING DETAILS

Inward opening with 4mm cover offset

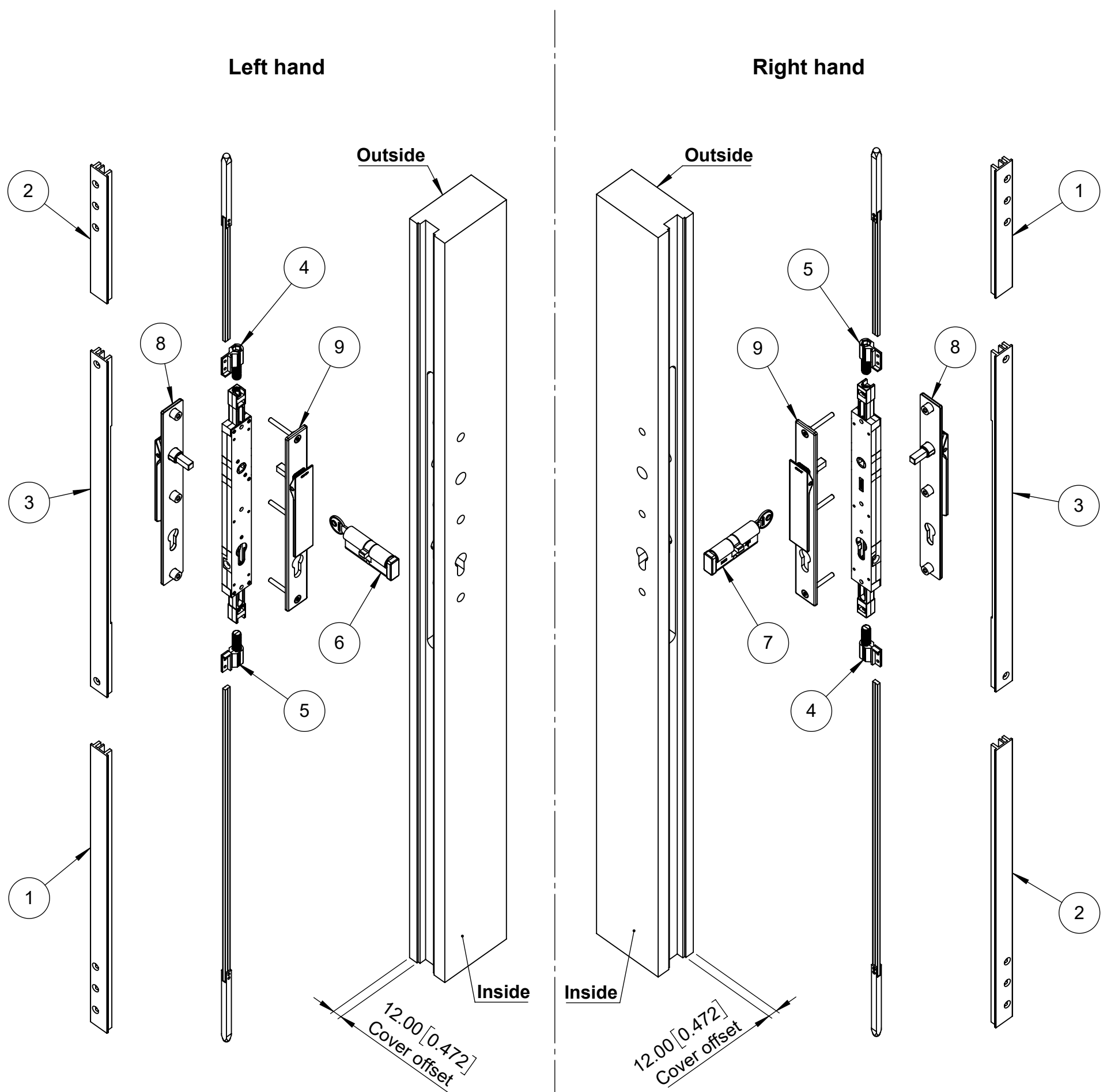
Item number	Description
1	Two covers are supplied with the same length, but are located differently for left hand and right hand lock assemblies. E.g the bottom cover for left will go to the top for right and vice versa.
2	
3	The same lock body cover is used regardless but oriented differently for left and right hand lock assemblies.
4	LKC-518-C for 26mm backset or LKC-518-E for 40mm backset. Part numbers are branded on parts.
5	LKC-518-D for 26mm backset or LKC-518-F for 40mm backset. Part numbers are branded on parts.
6	Left hand lock cylinder (handing indication engraved on cylinder body)
7	Right hand lock cylinder (handing indication engraved on cylinder body)
8	External handle
9	Internal handle



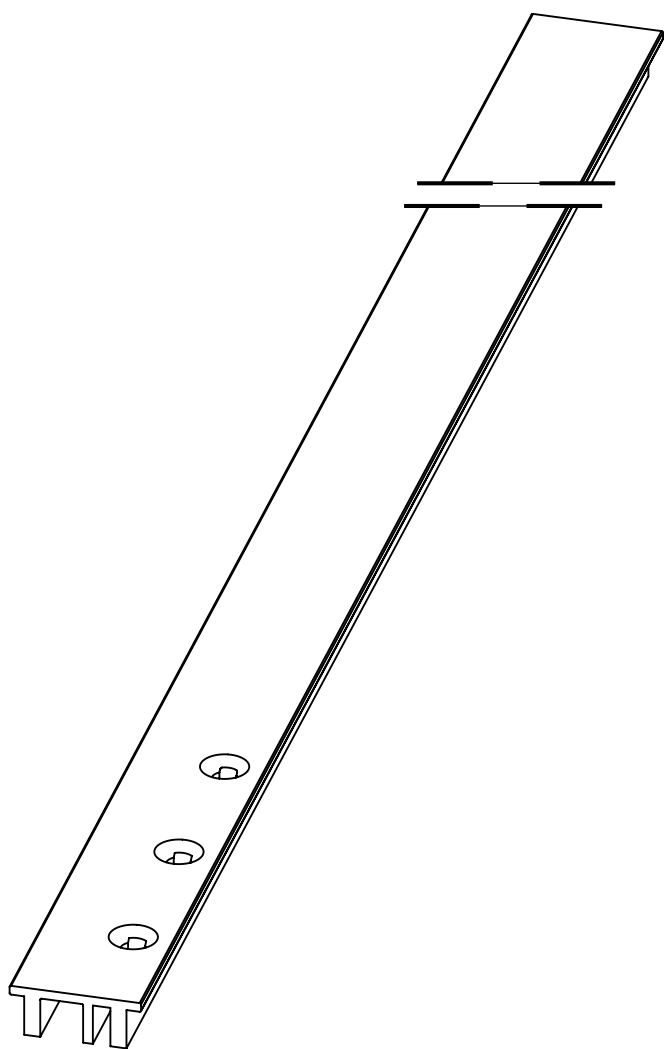
HANDING DETAILS

Inward opening with 12mm cover offset

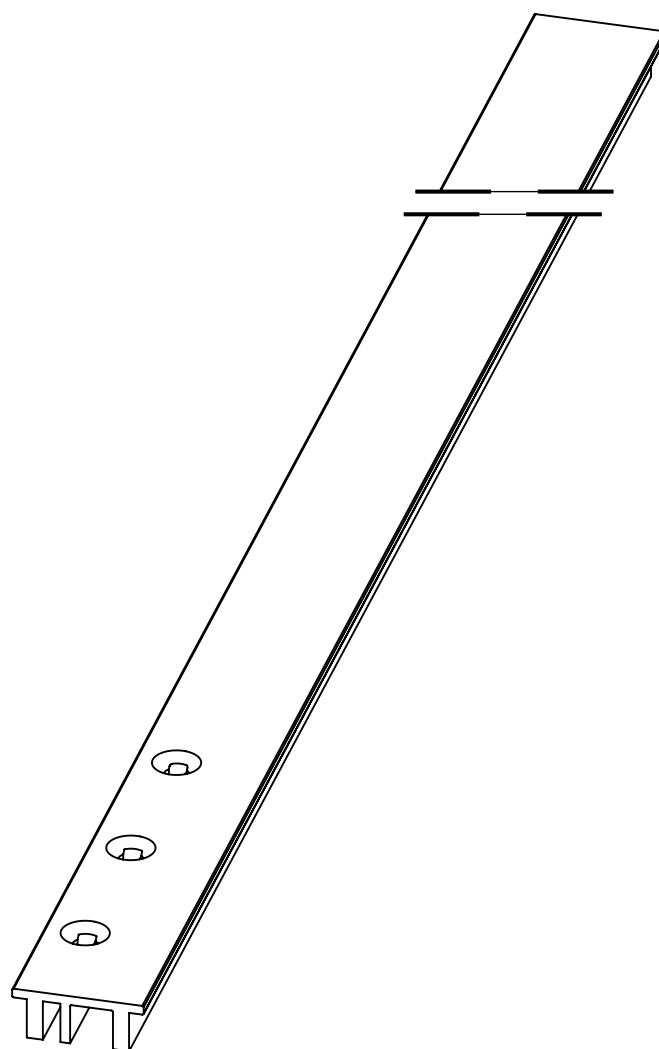
Item number	Description
1	Two covers are supplied with the same length, but are located differently for left hand and right hand lock assemblies. E.g the bottom cover for left will go to the top for right and vice versa.
2	
3	The same lock body cover is used regardless but oriented differently for left and right hand lock assemblies.
4	LKC-518-C for 26mm backset or LKC-518-E for 40mm backset. Part numbers are branded on parts.
5	LKC-518-D for 26mm backset or LKC-518-F for 40mm backset. Part numbers are branded on parts.
6	Left hand lock cylinder (handing indication engraved on cylinder body)
7	Right hand lock cylinder (handing indication engraved on cylinder body)
8	External handle
9	Internal handle



Step 1. Identify bottom covers.



Bottom cover for
Outward or inward with 4mm cover offset - left hand
or
Outward or inward with 12mm cover offset - right hand

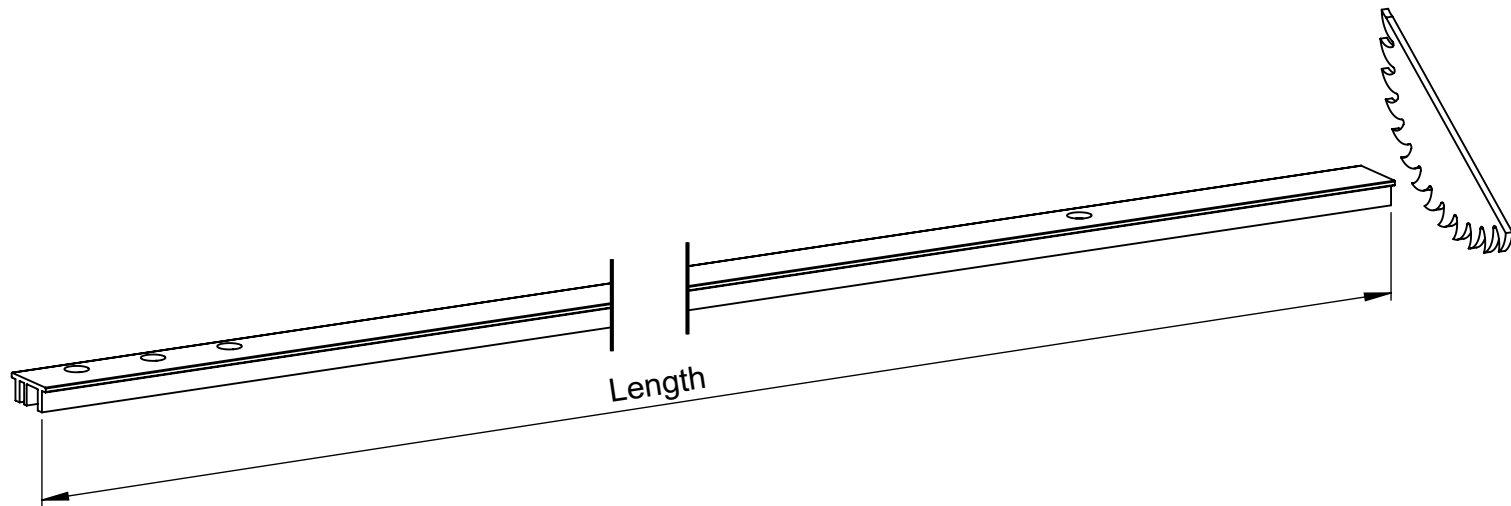


Bottom cover for
Outward or inward with 4mm cover offset - right hand
or
Outward or inward with 12mm cover offset - left hand

The top cover is mirrored to the bottom.

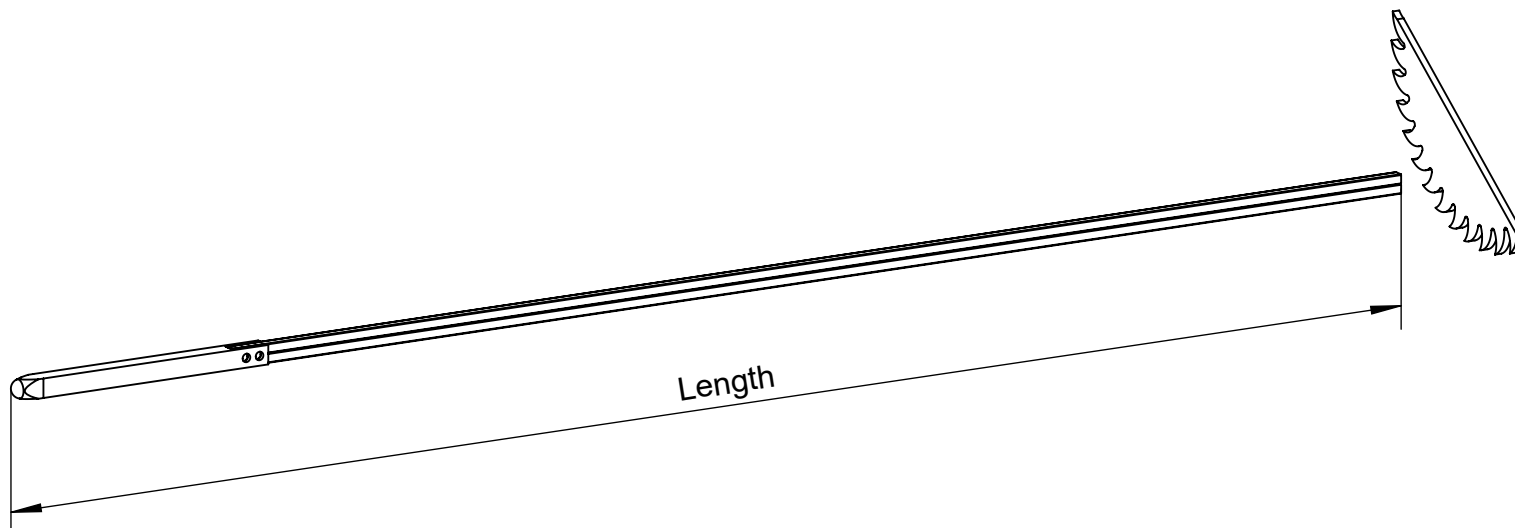
Step 2. Cut the covers to length.

For cover length, refer to TRANSMISSION ROD AND COVER LENGTH FORMULA section.



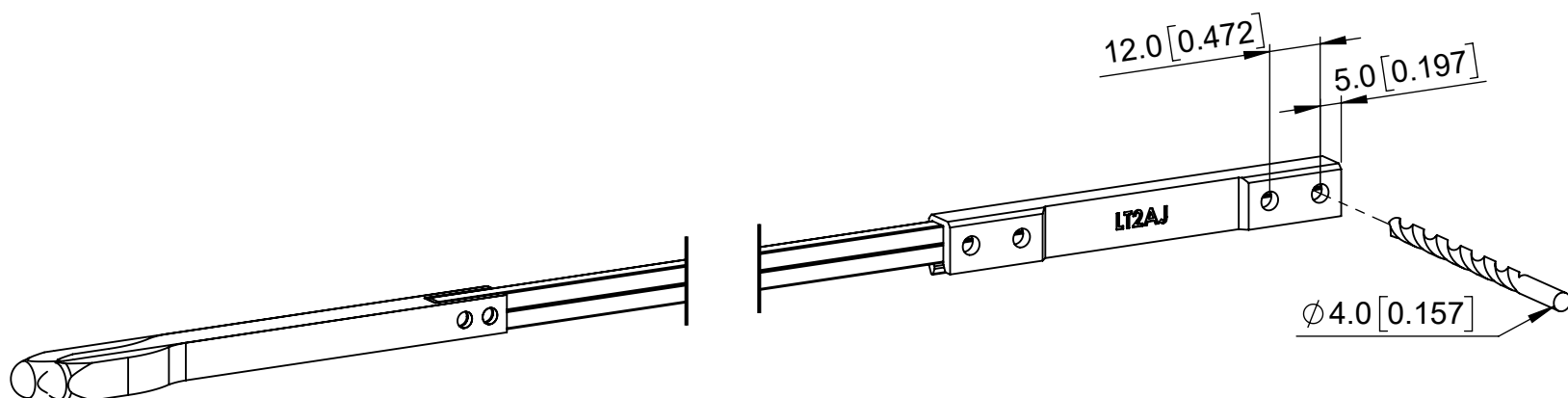
Step 3. Cut the top and bottom transmission rods to length.

Refer to TRANSMISSION ROD AND COVER LENGTH FORMULA section.



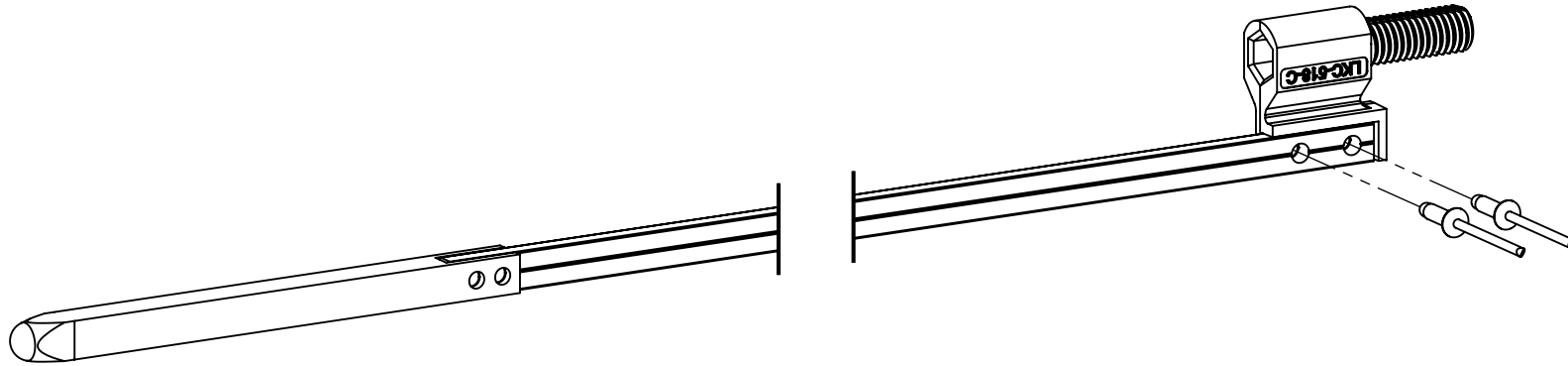
Step 4. Drill two rivet holes for transmission rod adaptor.

Keep the drilling jig flush with the end of the transmission rod.



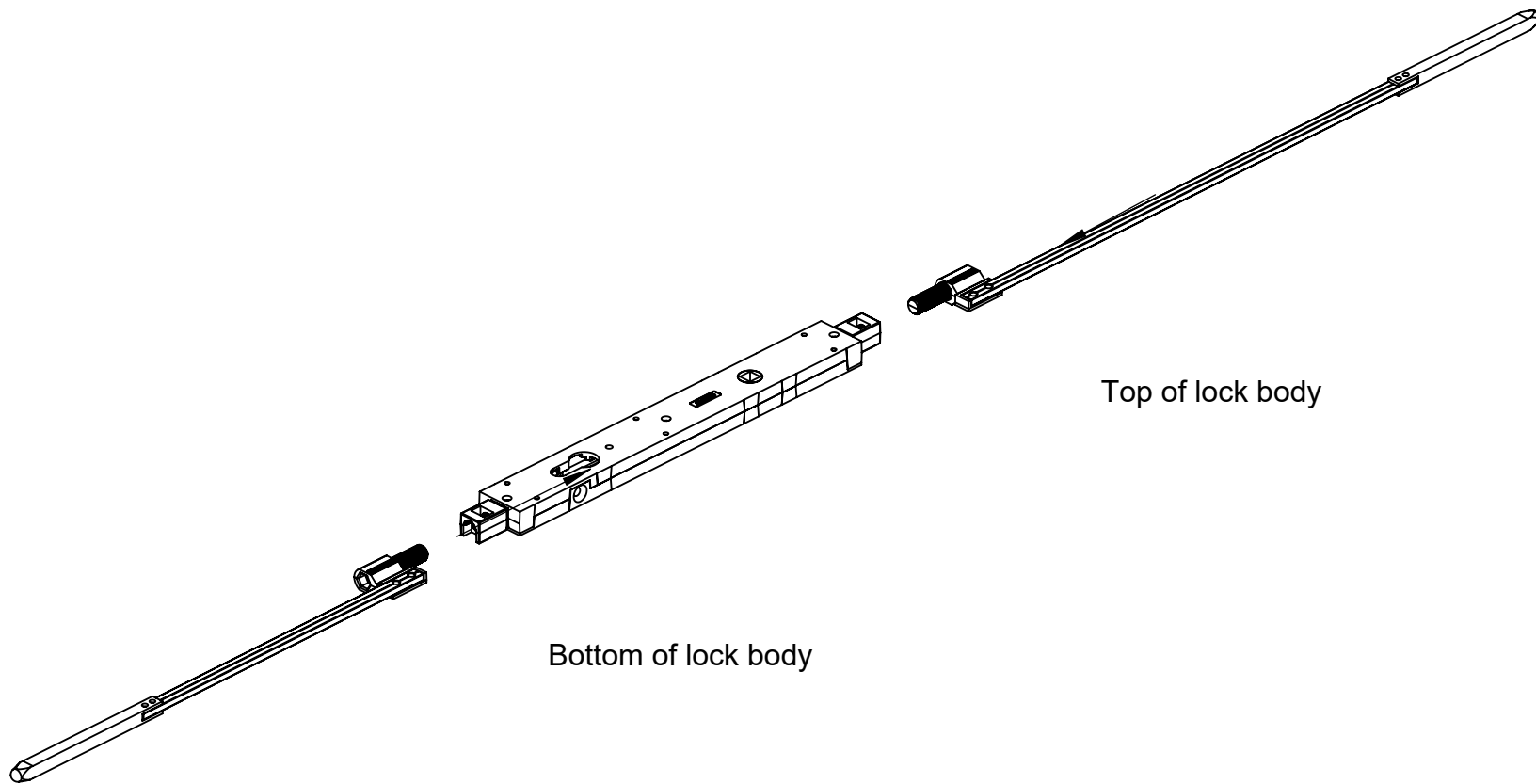
Step 4. Connect transmission rod adaptor.

Refer to HANDING DETAILS section, make sure the correct transmission rod adaptors are used for top and bottom rods. Use the pop rivets supplied to attach the transmission rod adaptor to the transmission rod. Insert the pop rivet through the rod into the adaptor.



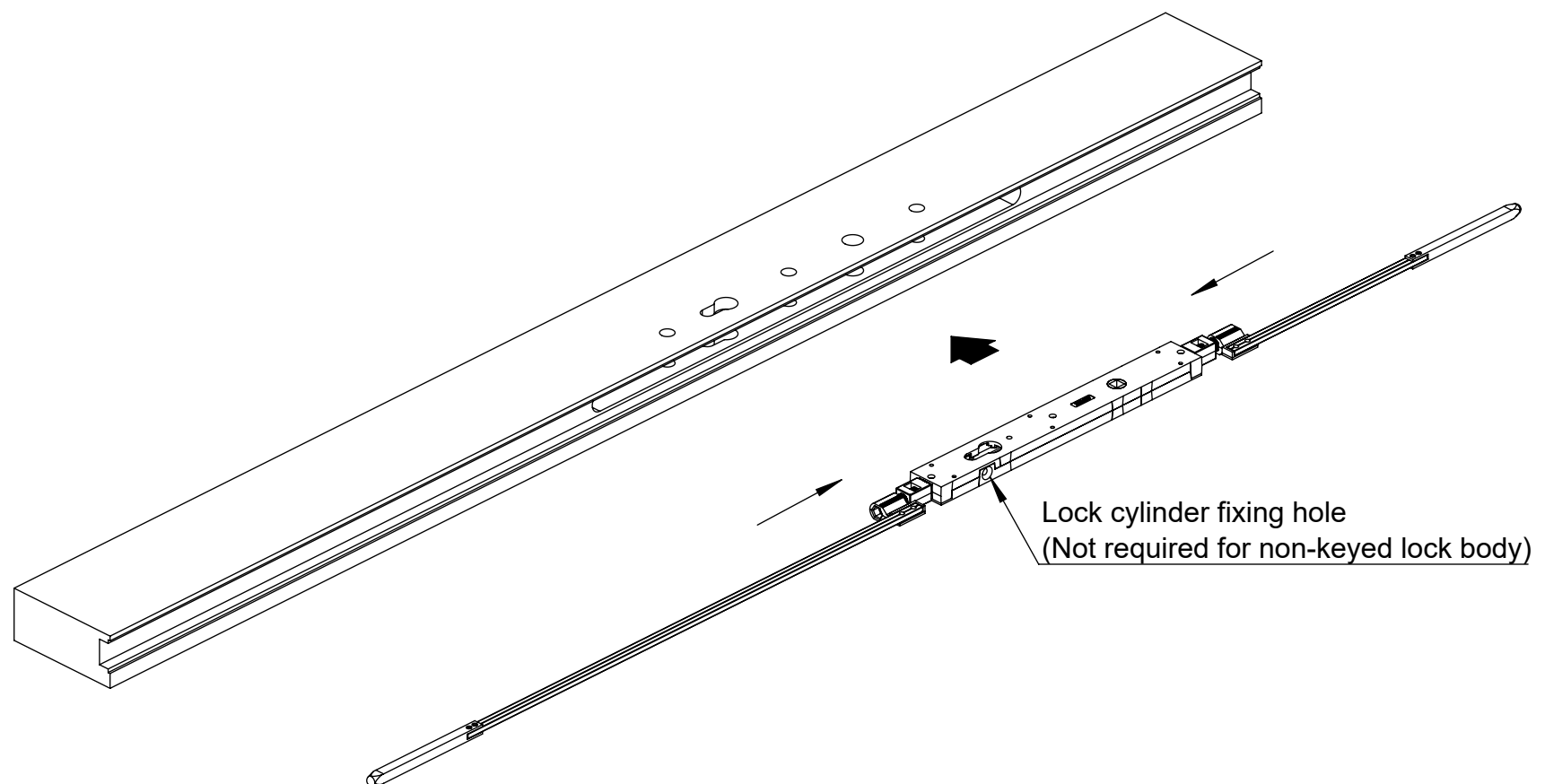
Step 5. Connect transmission rod to lock body.

Thread the transmission rod assemblies into the lock body until it bottoms out.

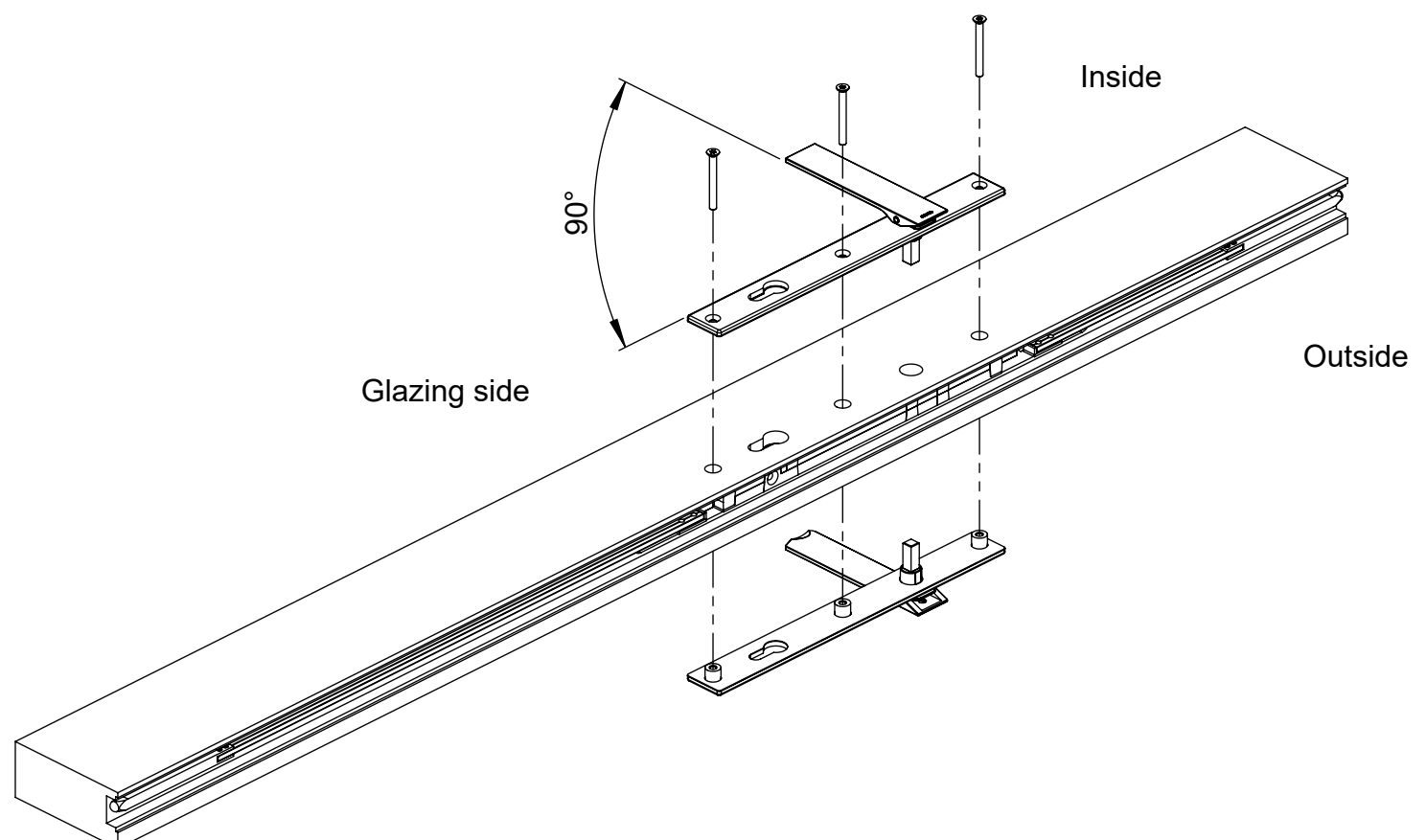


INSTALL LOCK INTO STILE OR PANEL**Step 1. Fit the assembly into machined stile/panel.**

Check the lock handing is correct for the stile/panel. Make sure the lock is retracted and the lock cylinder fixing screw hole is facing outwards.

**Step 2. Fit the handles.**

The swing handles should be turned 90° into the glazing side before insertion.



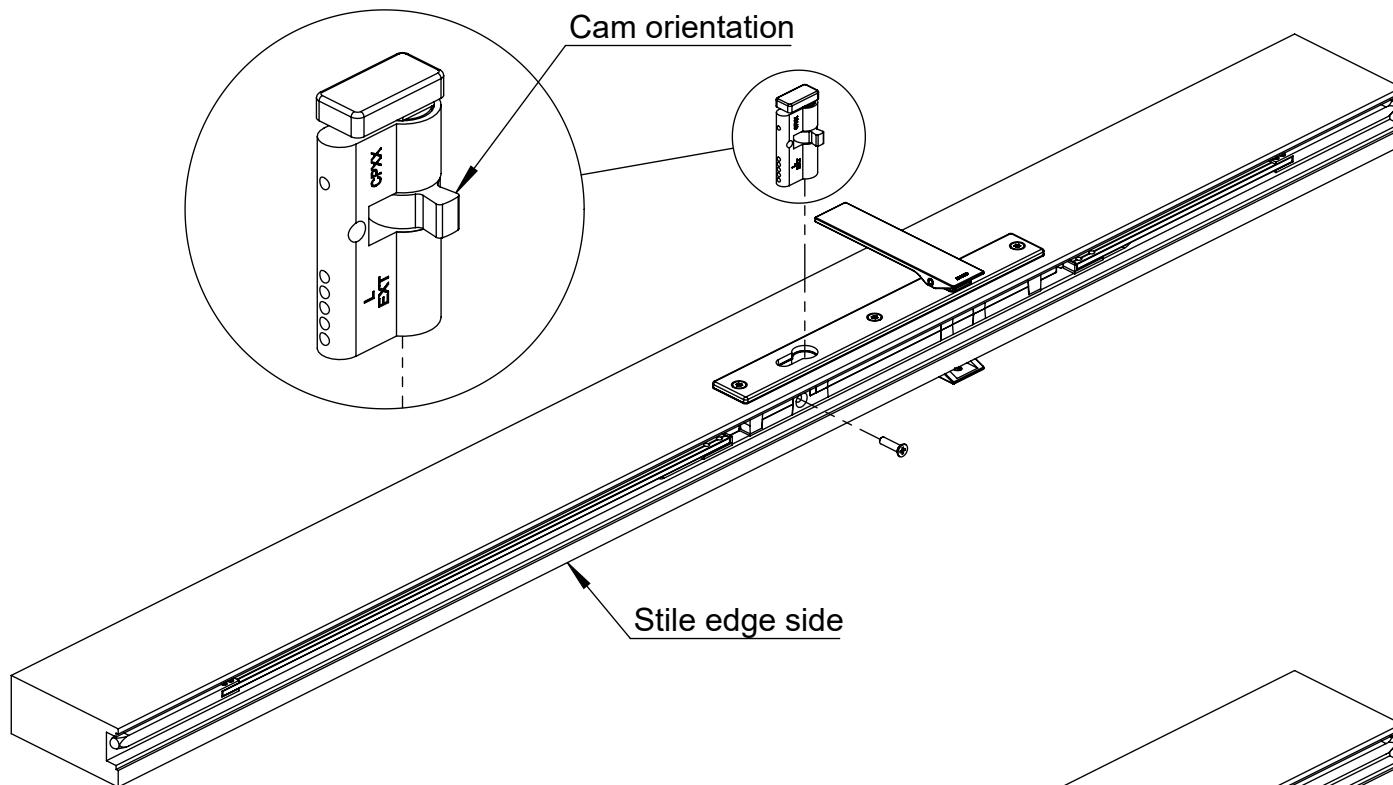
INSTALL LOCK INTO STILE OR PANEL

Step 3. Insert the lock cylinder.

A handed lock assembly requires a same handing lock cylinder to work. Refer to HANDING DETAILS section and check that the correct handed cylinder is supplied.

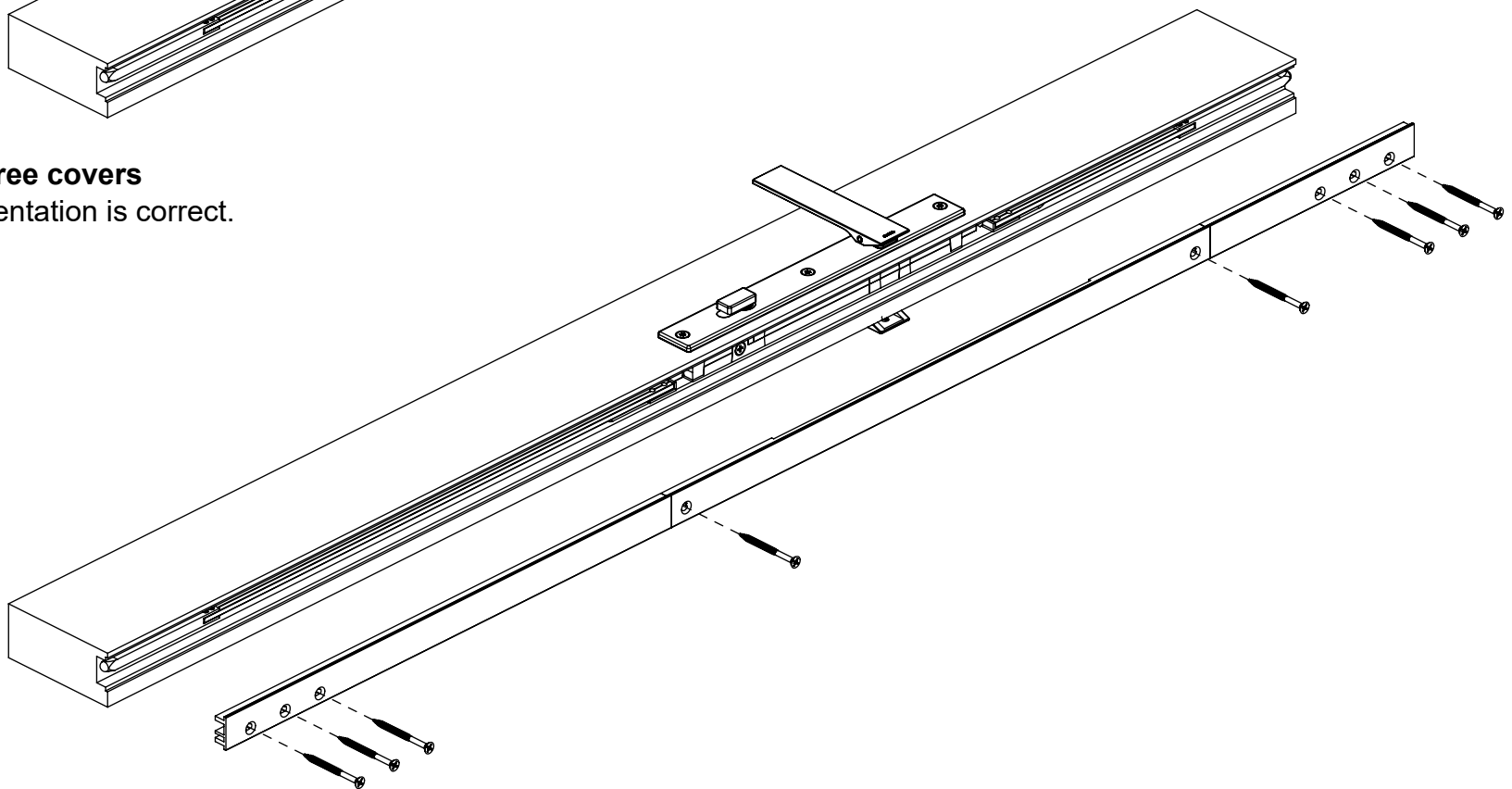
Important: Never fit a cylinder with wrong handing into the lock body. The correct handing should have the initial cam position orientated to the stile edge side.

Secure the cylinder body with fixing screw provided.



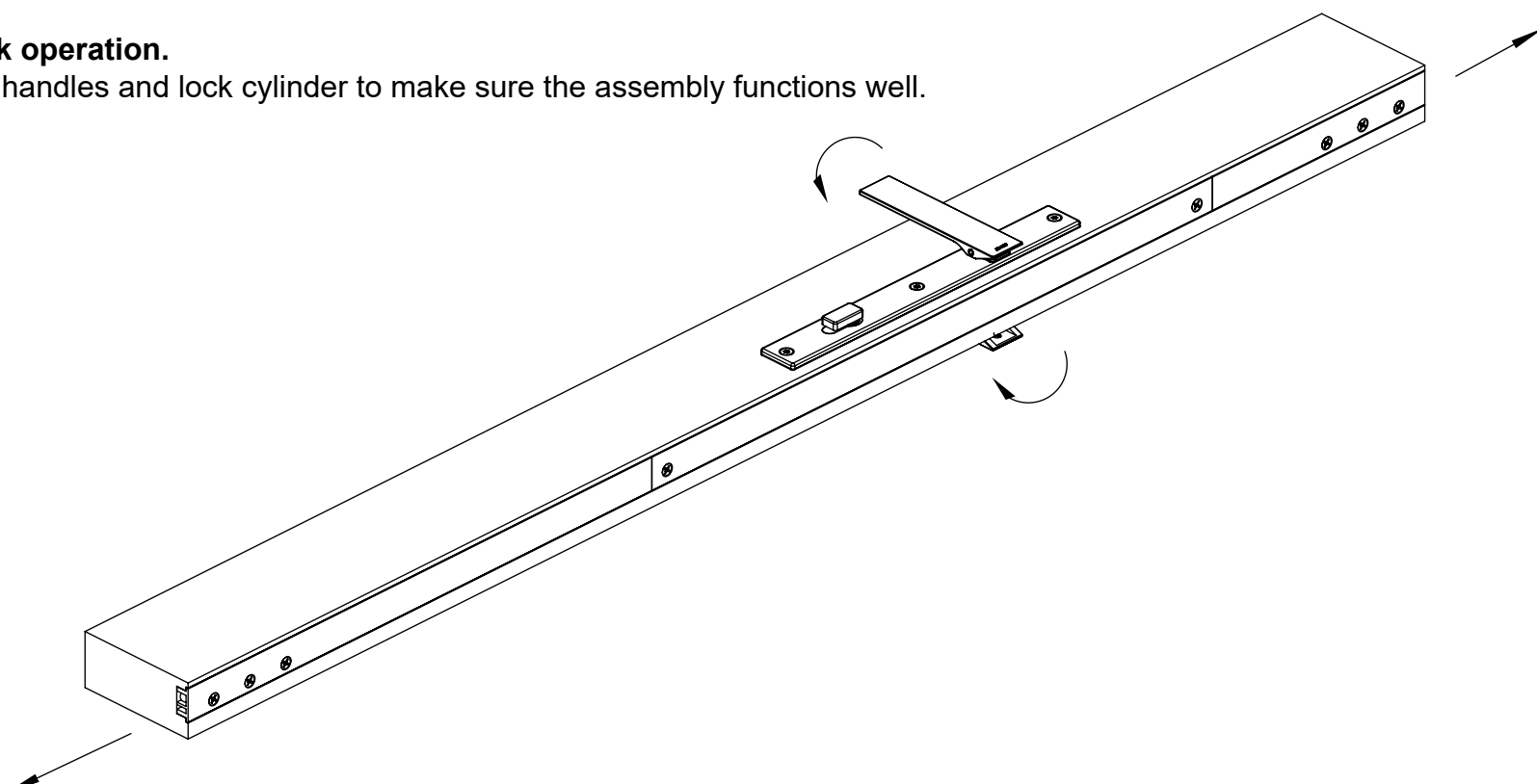
Step 4. Fit the three covers

Make sure the orientation is correct.



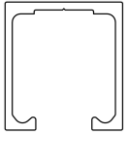
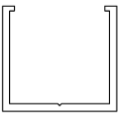
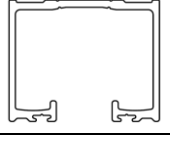
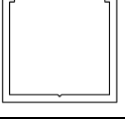
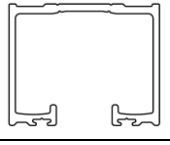

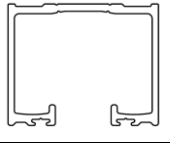
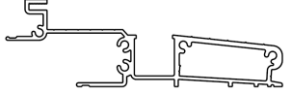
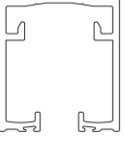
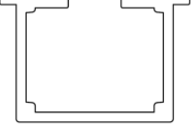
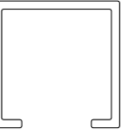
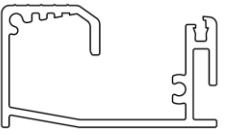
Step 5. Lock operation.

Operate the handles and lock cylinder to make sure the assembly functions well.



HARDWARE SELECTION

Hardware components

Folding Hardware	Head	Sill	Panel			
			1 3/4"		2 1/4"	
			Outward	Inwards	Outward	Inwards
E2	14TA 	E22FCR 	Non-keyed and keyed	Non-keyed	n/a	n/a
E3	E3TA 	E22FCR 	Non-keyed and keyed	Non-keyed	Non-keyed and keyed	Non-keyed
	E3TA 	E3CSLO 	Non-keyed and keyed	Non-keyed	n/a	n/a
	E3TA 	E3CS134N 	Non-keyed and keyed	Non-keyed	n/a	n/a
E4	E4TA 	E4FC 	n/a	n/a	Non-keyed and keyed	Non-keyed
F3	FR3HTS 	FRSB 	Non-keyed and keyed	Non-keyed	Non-keyed and keyed	Non-keyed

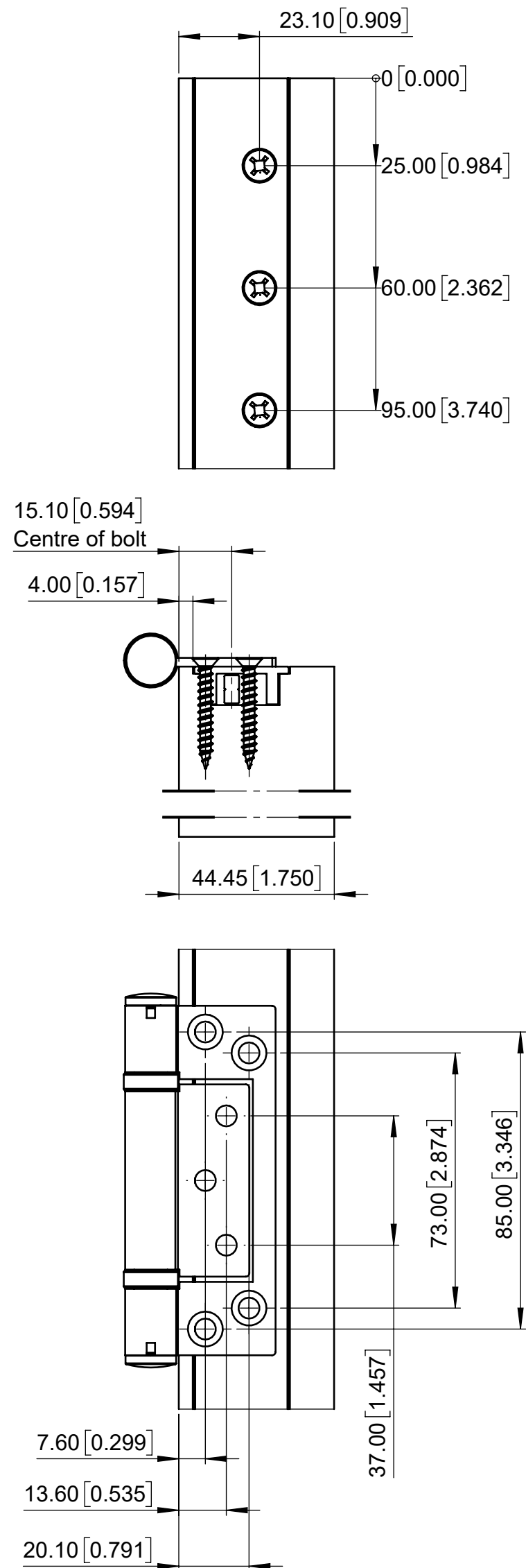
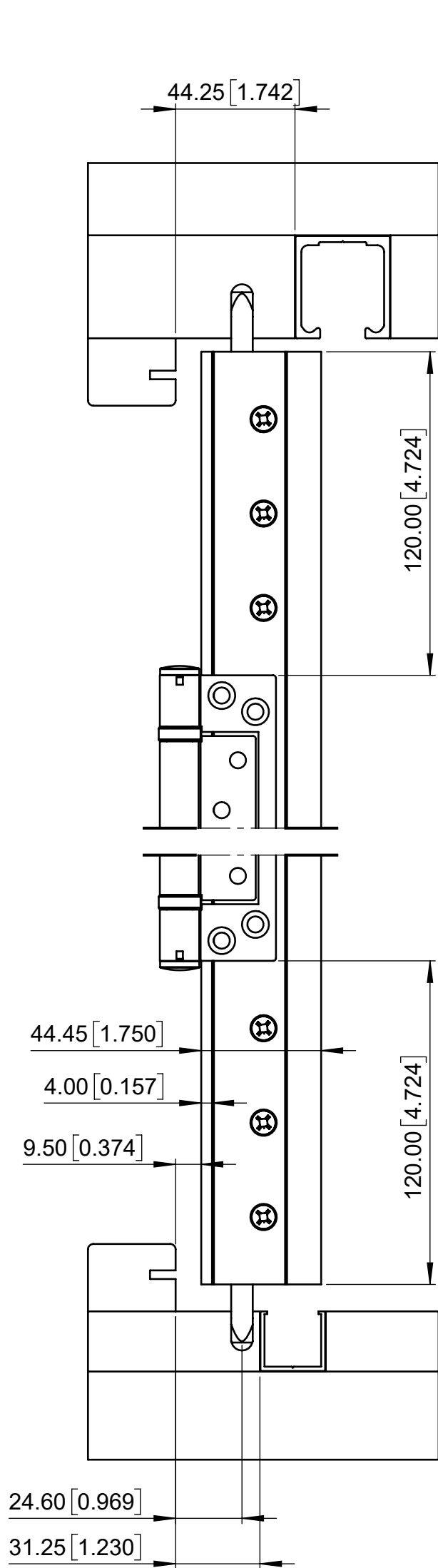
Handles and lock cylinders

Panel thickness	Opening	Handle		Cylinder
		Double handle keyed	Single handle non-keyed	
1 3/4"	Outward	TPL-001-AE-*	TPL-002-C-*	TPL-019-*
	Inward	n/a	TPL-002-G-*	n/a
2 1/4"	Outward	TPL-001-EG-*	TPL-002-G-*	TPL-020-*
	Inward	n/a	TPL-002-I-*	n/a

ARCHITECTURAL DETAIL

Centor E2 folding hardware

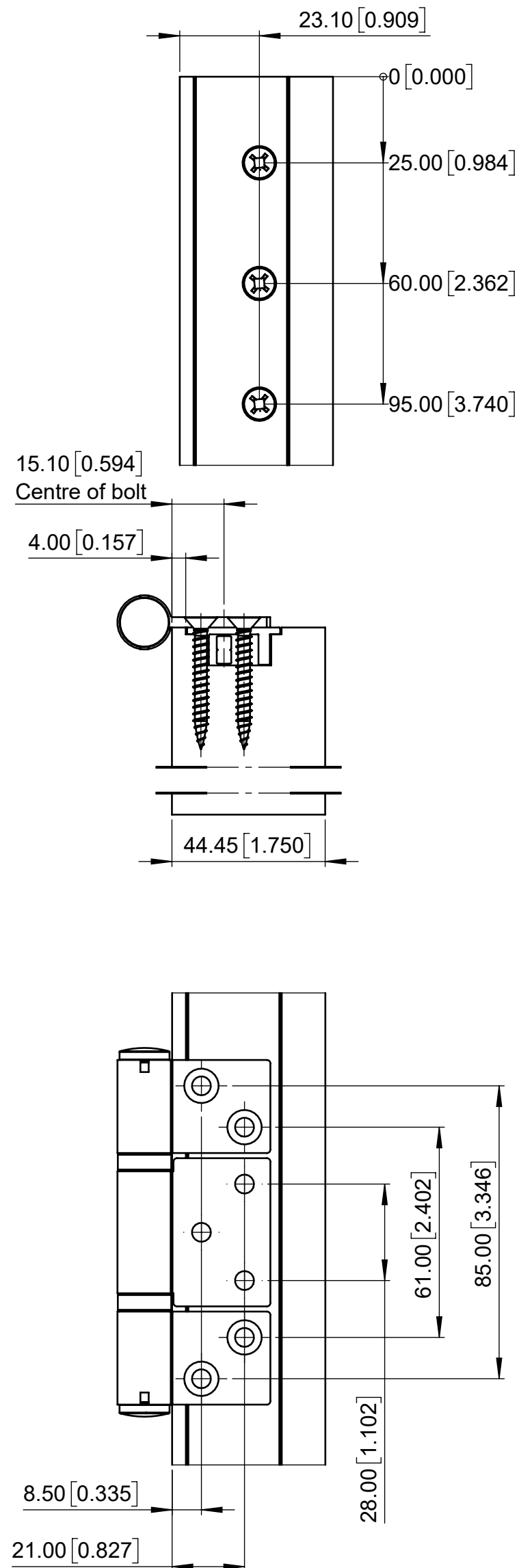
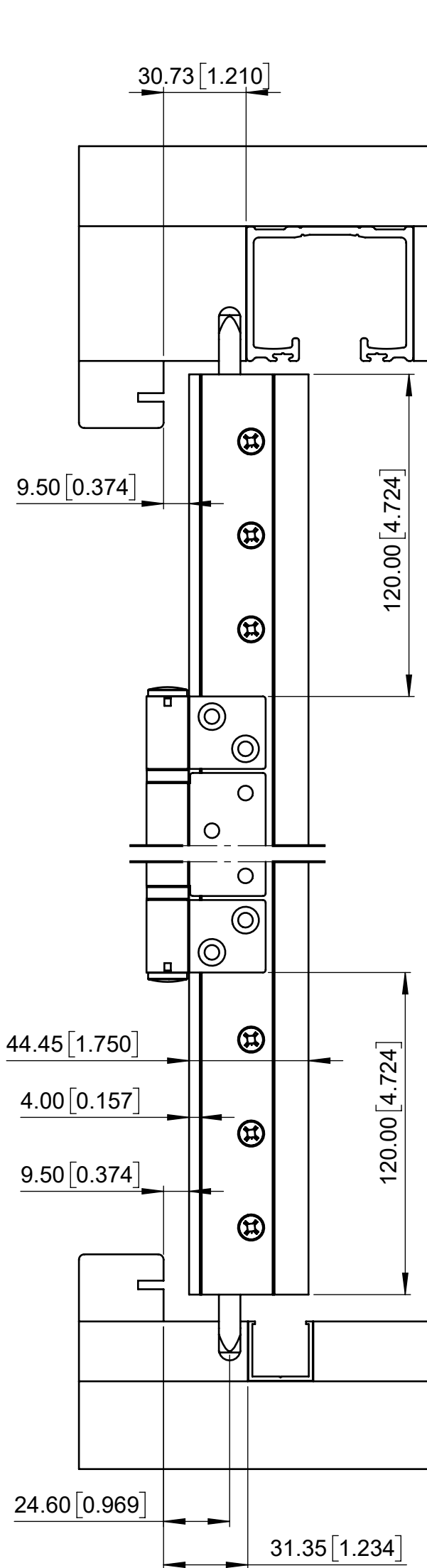
Panel	1 3/4"
Head	14TA
Sill	E22FCR



ARCHITECTURAL DETAIL

Centor E3 folding hardware

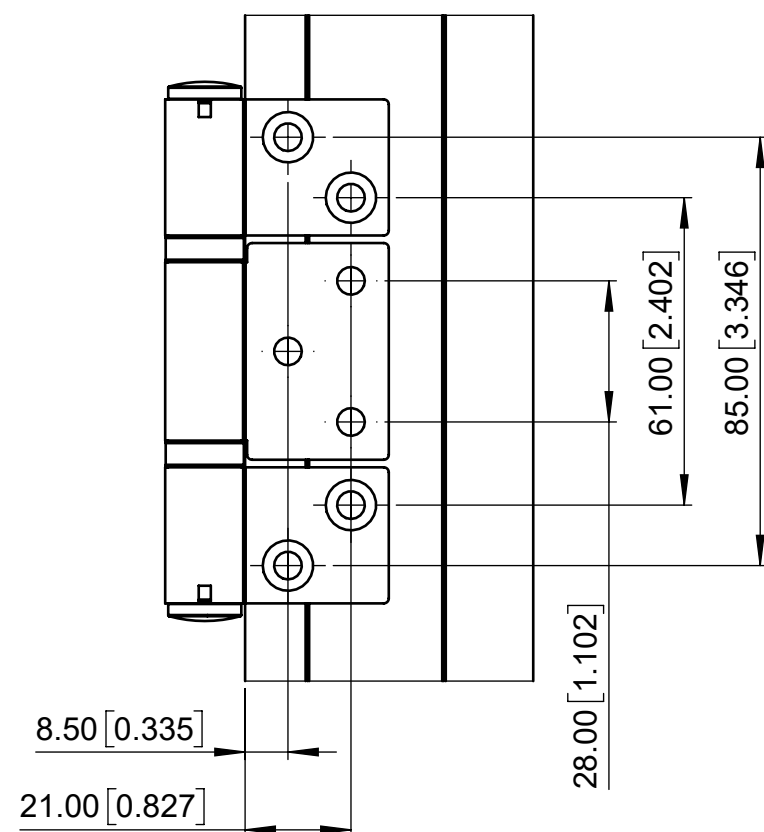
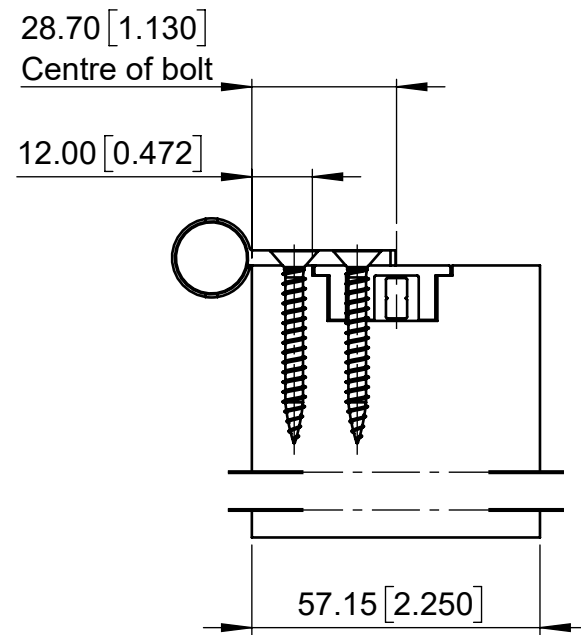
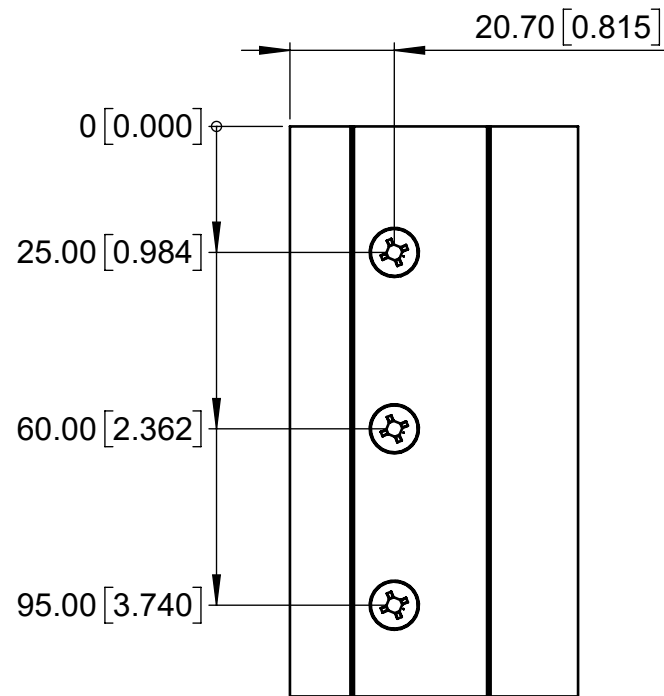
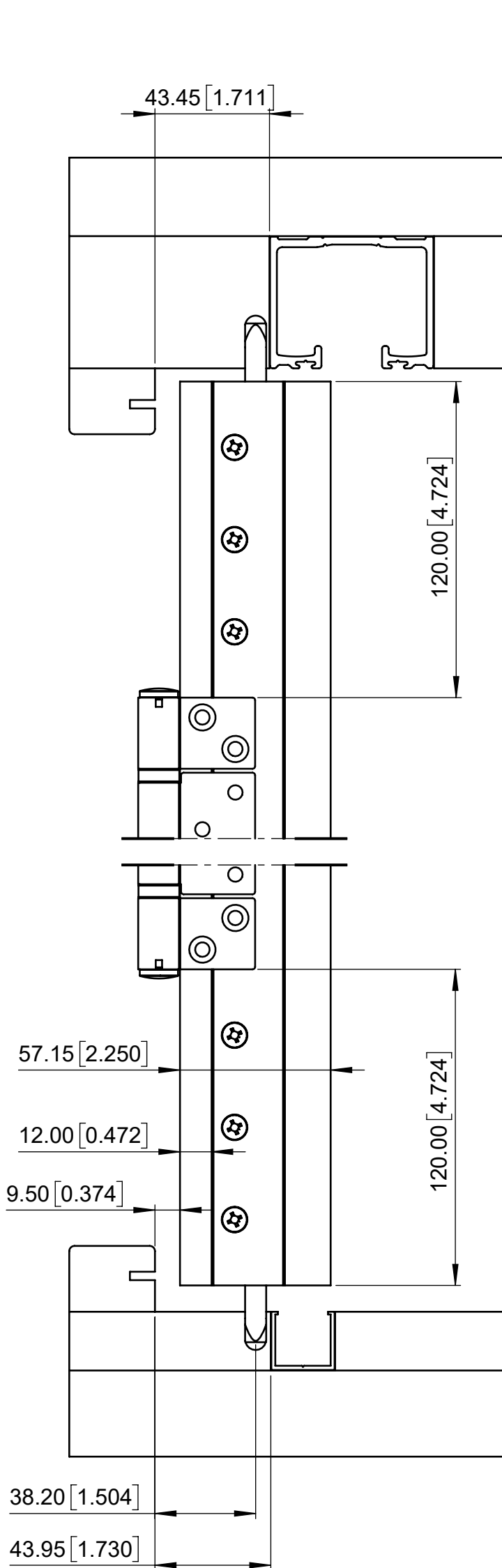
Panel	1 3/4"
Head	E3TA
Sill	E22FCR



ARCHITECTURAL DETAIL

Centor E3 folding hardware

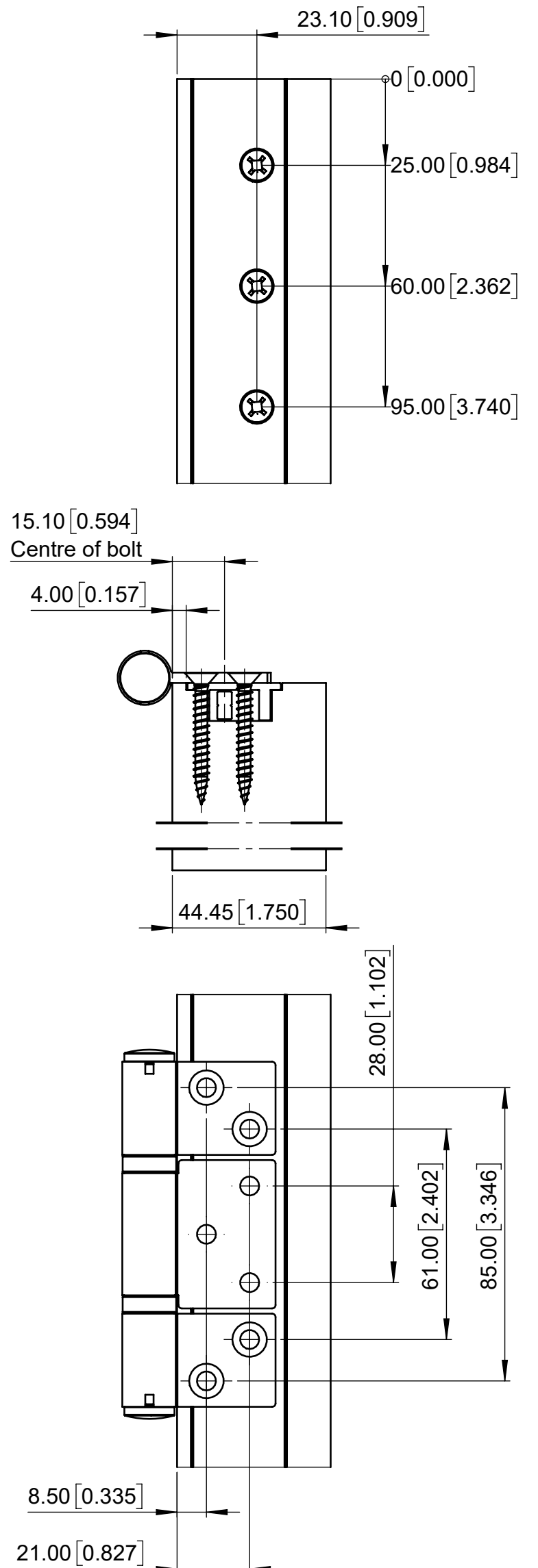
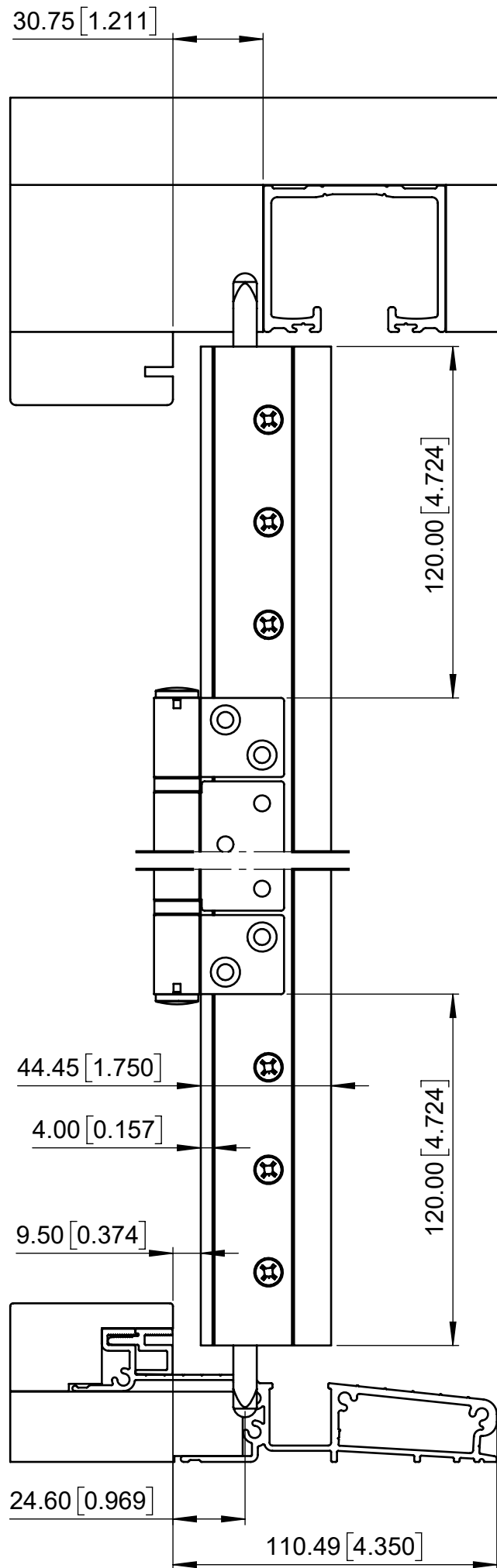
Panel	2 1/4"
Head	E3TA
Sill	E22FCR



ARCHITECTURAL DETAIL

Centor E3 folding hardware

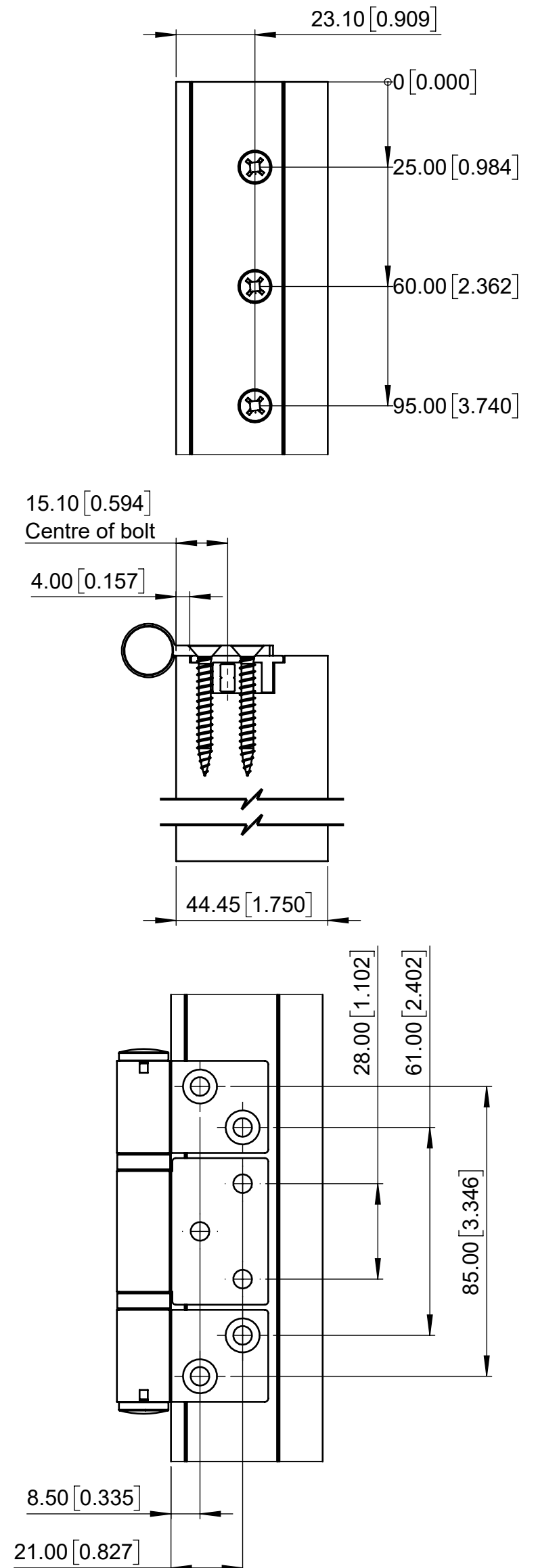
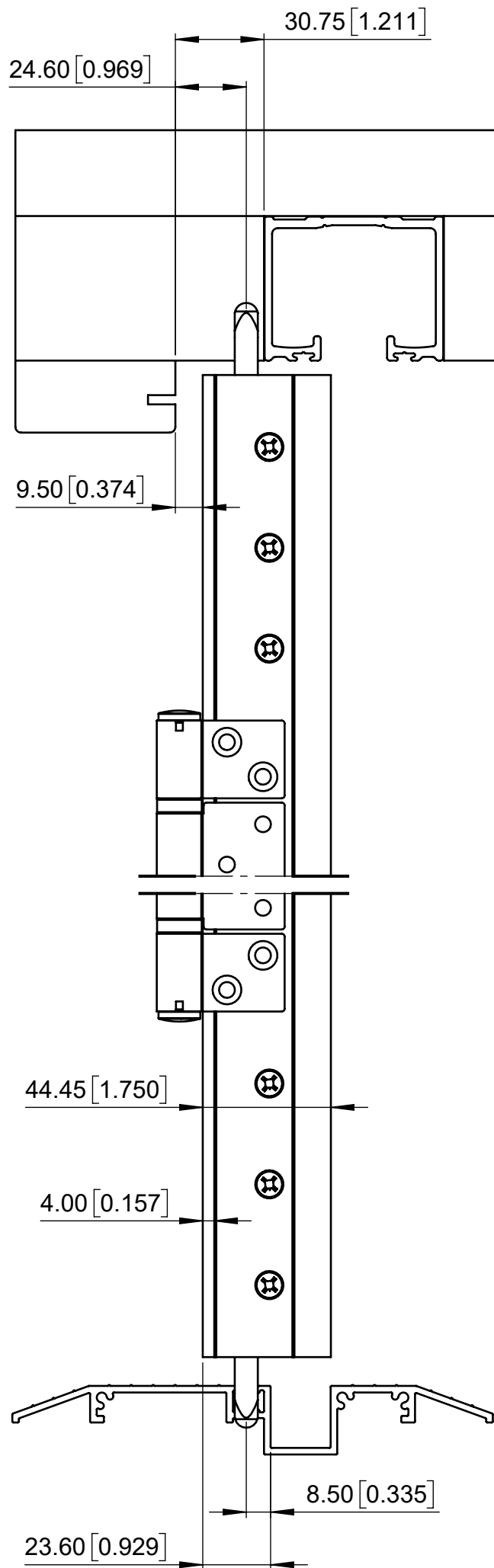
Panel	1 3/4"
Head	E3TA
Sill	E3CS



ARCHITECTURAL DETAIL

Centor E3 folding hardware

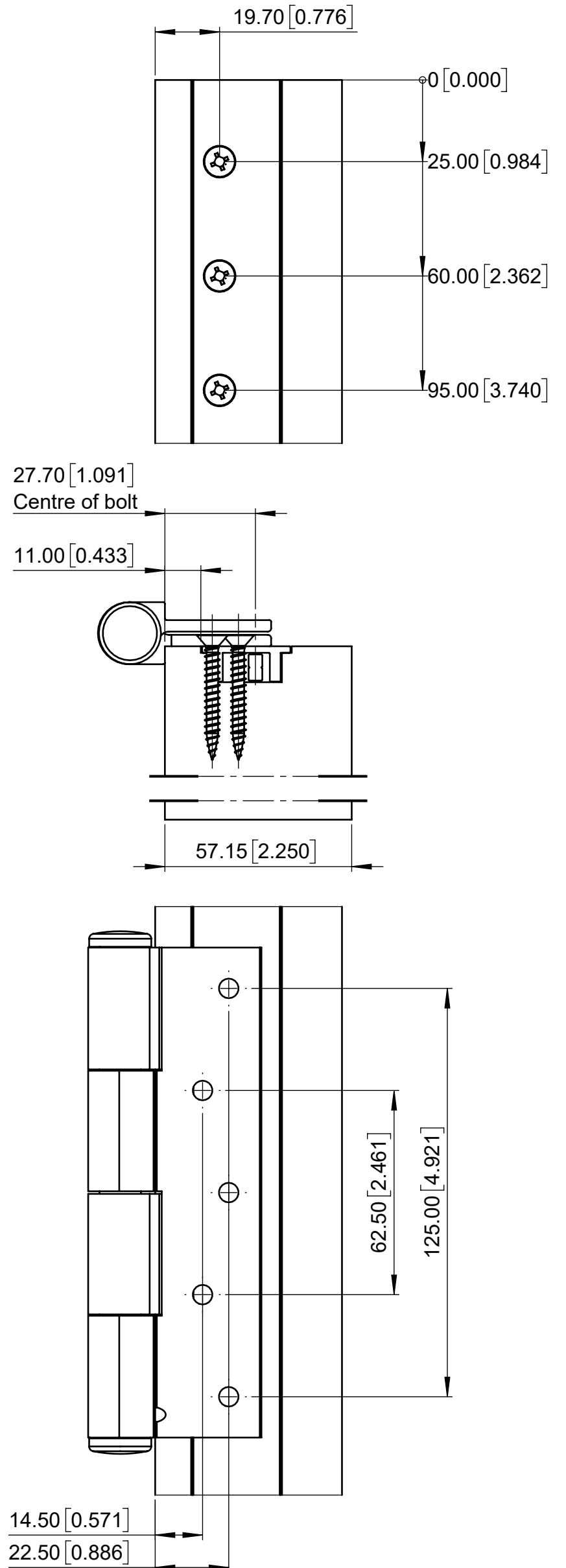
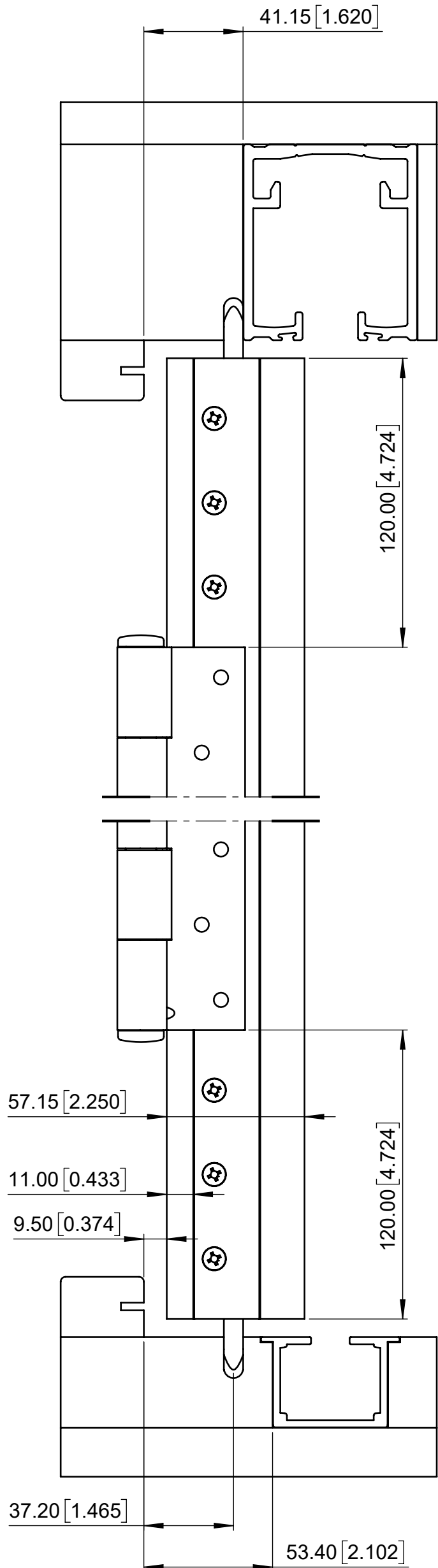
Panel	1 3/4"
Head	E3TA
Sill	E3CSLO



ARCHITECTURAL DETAIL

Centor E4 folding hardware

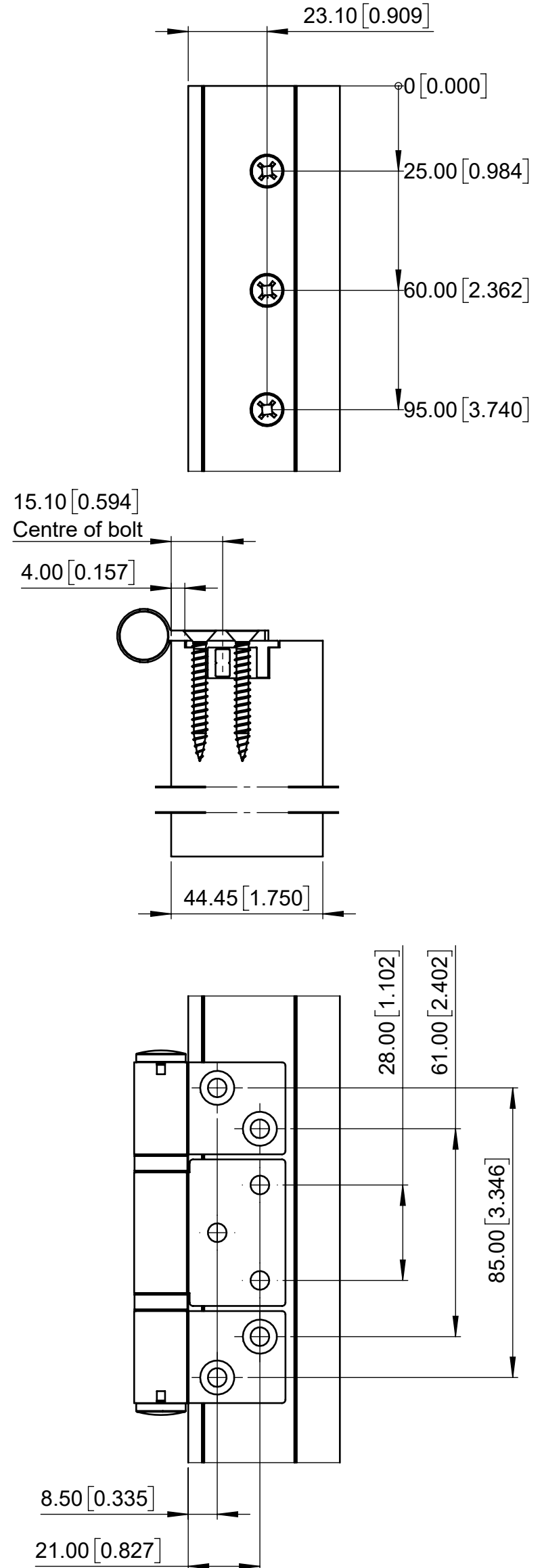
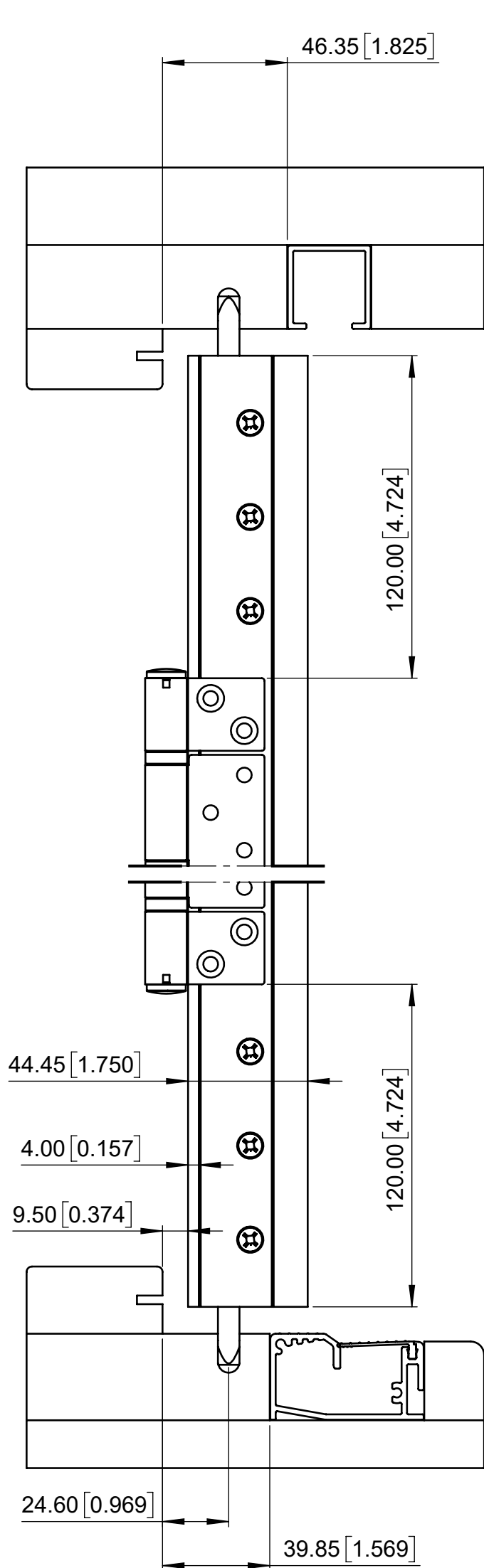
Panel	2 1/4"
Head	E4T
Sill	E4FC



ARCHITECTURAL DETAIL

Centor F3 folding hardware

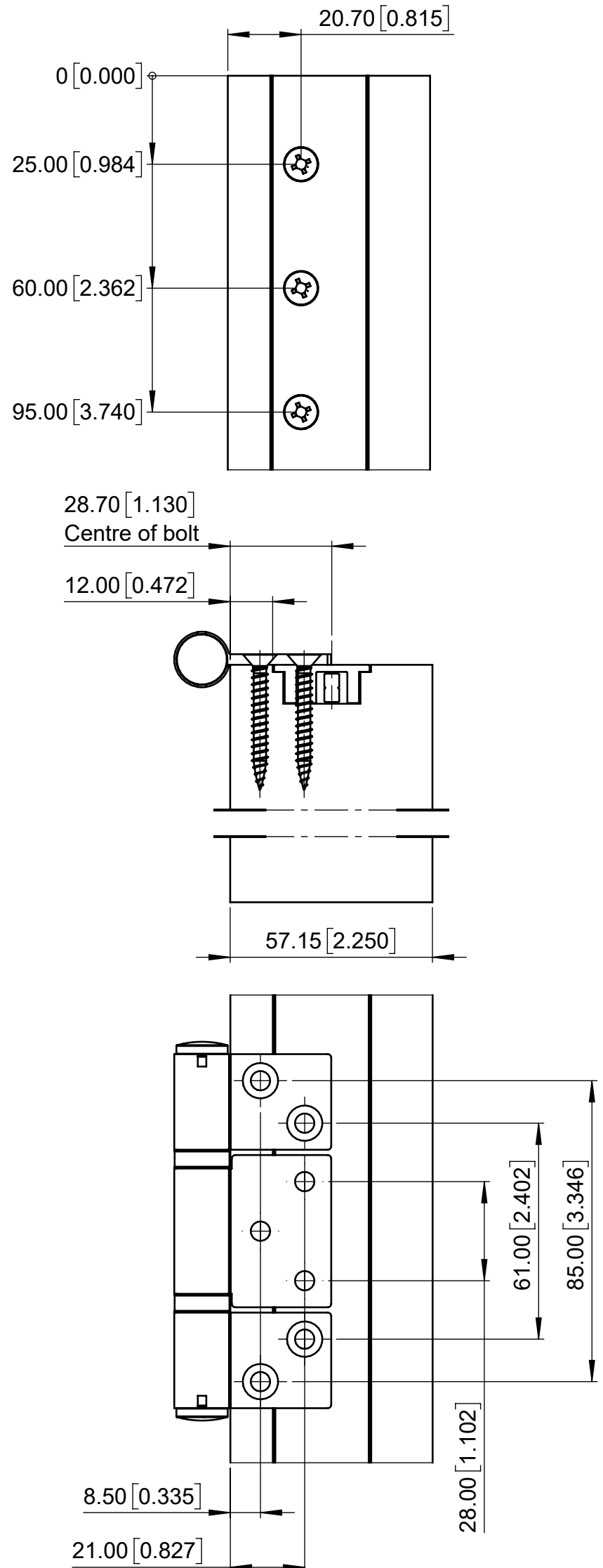
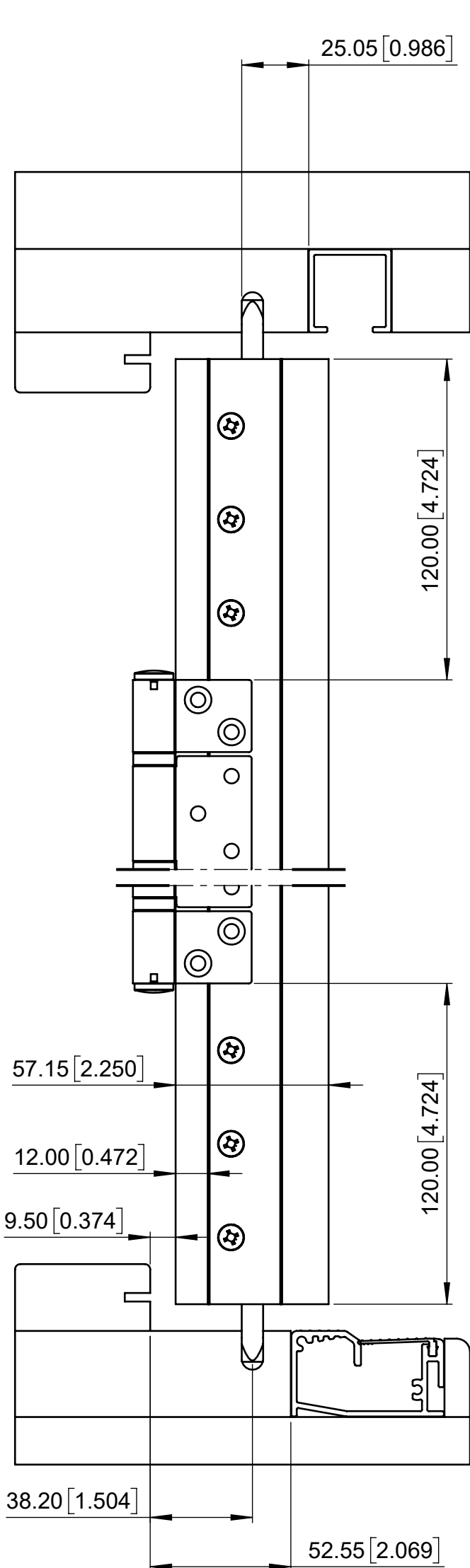
Panel	1 3/4"
Head	FR3HTC
Sill	FRSB



ARCHITECTURAL DETAIL

Centor F3 folding hardware

Panel	2 1/4"
Head	FR3HTC
Sill	FRSB



TwinPoint Gen2 - North American Catalogue

Part	Item number	Item name
------	-------------	-----------

Single handles - non-keyed

Contents

1 x handle set, 1 x gasket, 2 x mounting screws

Outward opening

1 3/4" thick panel - 0.807" (20.5mm) spindle depth

TPL-002-C-S Single handle H01, 7", non-keyed, brushed stainless

TPL-002-C-OL Single handle H01, 7", non-keyed, PVD bronze

2 1/4" thick panel - 1.161" (29.5mm) spindle depth

TPL-002-G-S Single handle H01, 7", non-keyed, brushed stainless

TPL-002-G-OL Single handle H01, 7", non-keyed, PVD bronze

Inward opening

1 3/4" thick panel - 1.161" (29.5mm) spindle depth

TPL-002-G-S Single handle H01, 7", non-keyed, brushed stainless

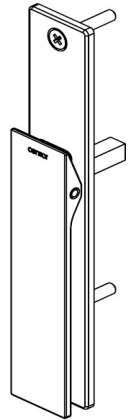
TPL-002-G-OL Single handle H01, 7", non-keyed, PVD bronze

2 1/4" thick panel - 1.319" (33.5mm) spindle depth

TPL-002-I-S Single handle H01, 7", non-keyed, brushed stainless

TPL-002-I-OL Single handle H01, 7", non-keyed, PVD bronze

Note: The same handle is used on 2 1/4" outward and 1 3/4" inward opening panels



Double handles - keyed

Contents

1 x internal handle set, 1 x external handle set, 2 x gaskets, 3 x mounting screws

Outward opening

1 3/4" thick panel - 0.650"-0.965" (16.5mm-24.5mm) spindle depth

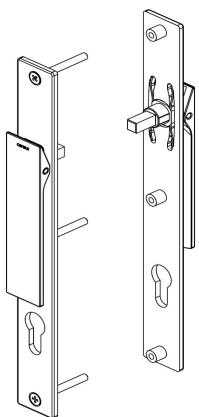
TPL-001-AE-S Double handle H01, 11", keyed, brushed stainless

TPL-001-AE-OL Double handle H01, 11", keyed, PVD bronze

2 1/4" thick panel - 0.965"-1.161" (24.5mm-29.5mm) spindle depth

TPL-001-EG-S Double handle H01, 11", keyed, brushed stainless

TPL-001-EG-OL Double handle H01, 11", keyed, PVD bronze



Lock bodies

Contents

1 x lock body

For single handle

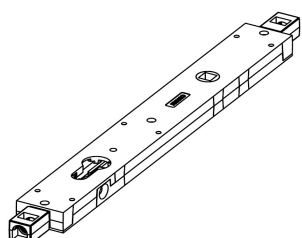
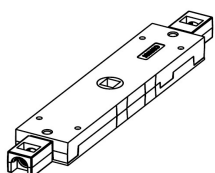
Non-keyed

TPL-004 Lock body to suit single handle 7", non-keyed

For double handle

Keyed

TPL-003 Lock body to suit double handle 11", keyed



Part	Item number	Item name
------	-------------	-----------

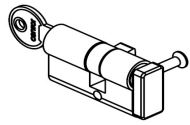
Key-knob lock cylinders

Contents

1 x cylinder, 3 x 5-pin keys, 1 x 20mm long cylinder screw

Outward opening 1 3/4" thick panel

Left hand



TPL-019-L-US15 Lock cylinder Euro Key-Knob schlage 54 (31.5 - 22.5), left hand, satin nickle

TPL-019-L-MB Lock cylinder Euro Key-Knob schlage 54 (31.5 - 22.5), left hand, matt black

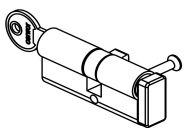
Right hand

TPL-019-R-US15 Lock cylinder Euro Key-Knob schlage 54 (31.5 - 22.5), right hand, satin nickle

TPL-019-R-MB Lock cylinder Euro Key-Knob schlage 54 (31.5 - 22.5), right hand, matt black

Outward opening 2 1/4" thick panel

Left hand



TPL-020-L-US15 Lock cylinder Euro Key-Knob schlage 67 (36.5-30.5), left hand, satin nickle

TPL-020-L-MB Lock cylinder Euro Key-Knob schlage 67 (36.5-30.5), left hand, matt black

Right hand

TPL-020-R-US15 Lock cylinder Euro Key-Knob schlage 67 (36.5-30.5), right hand, satin nickle

TPL-020-R-MB Lock cylinder Euro Key-Knob schlage 67 (36.5-30.5), right hand, matt black

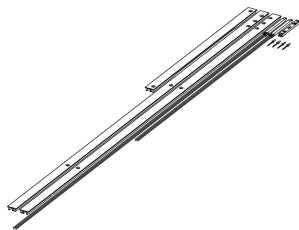
Transmission rod sets

Contents

*1 x lock body cover, 2 x covers same length (top & bottom),
2 x transmission rods with bolt attached (one short, one long),
4 x pop rivets, 1 x drill jig, 1 x screw pack*

Cover suit Non-keyed lock body only (Short lock body cover)

46" high panel



TPL-005-11-XS Transmission rod set wood panels, quadrex, 17" handle height 46" panel brushed metallic

TPL-005-11-LY Transmission rod set wood panels, quadrex, 17" handle height 46" panel black

72" high panel

TPL-005-18-XS Transmission rod set wood panels, quadrex, 17" handle height 72" panel brushed metallic

TPL-005-18-LY Transmission rod set wood panels, quadrex, 17" handle height 72" panel black

Cover suit Keyed and Non-keyed lock body (Long lock body cover)

8' high panel

TPL-005-24-XS Transmission rod set wood panels, quadrex, 36" handle 8' panel brushed metallic

TPL-005-24-LY Transmission rod set wood panels, quadrex, 36" handle 8' panel black

10' high panel

TPL-005-30-XS Transmission rod set wood panels, quadrex, 36" handle 10' panel brushed metallic

TPL-005-30-LY Transmission rod set wood panels, quadrex, 36" handle 10' panel black

13' high panel

TPL-005-40-XS Transmission rod set wood panels, quadrex, 36" handle 13' panel brushed metallic

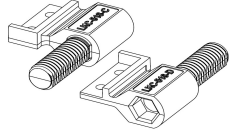
TPL-005-40-LY Transmission rod set wood panels, quadrex, 36" handle 13' panel black

Part	Item number	Item name
------	-------------	-----------

Transmission rod adaptors

Contents

bag of 1 - 1 pair of rod adaptors
bag of 20 - 20 pairs of rod adaptors



1.024" backset

- TPL-015-CD-01 Transmission rod adaptors LKC-518-C & LKC-518-D (bag of 1)
- TPL-015-CD-20 Transmission rod adaptors LKC-518-C & LKC-518-D (bag of 20)

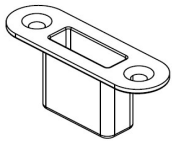
1.575" backset

- TPL-015-EF-01 Transmission rod adaptors LKC-518-E & LKC-518-F (bag of 1)
- TPL-015-EF-20 Transmission rod adaptors LKC-518-E & LKC-518-F (bag of 20)

Bolt cup

Contents

bag of 1 - 1 x bolt cup, 2 x mounting screws
bag of 20 - 20 x bolt cups, 40 x mounting screws

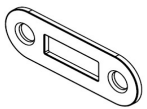


- TPL-017-OL-01 Bolt cup kit 5/16" PVD bronze (bag of 1)
- TPL-017-OL-20 Bolt cup kit 5/16" PVD bronze (bag of 20)
- TPL-017-S-01 Bolt cup kit 5/16" stainless steel (bag of 1)
- TPL-017-S-20 Bolt cup kit 5/16" stainless steel (bag of 20)

Strike plates

Contents

bag of 1 - 1 x strike plate, 2 x mounting screws
bag of 20 - 20 x strike plates, 40 x mounting screws



- TPL-018-OL-01 Strike plate kit 5/16" PVD Bronze (bag of 1)
- TPL-018-OL-20 Strike plate kit 5/16" PVD Bronze (bag of 20)
- TPL-018-S-01 Strike plate kit 5/16" stainless steel (bag of 1)
- TPL-018-S-20 Strike plate kit 5/16" stainless steel (bag of 20)

Centor North America

866 255 0008

+1 630 957 1000

customerserviceusa@centor.com

centor.com