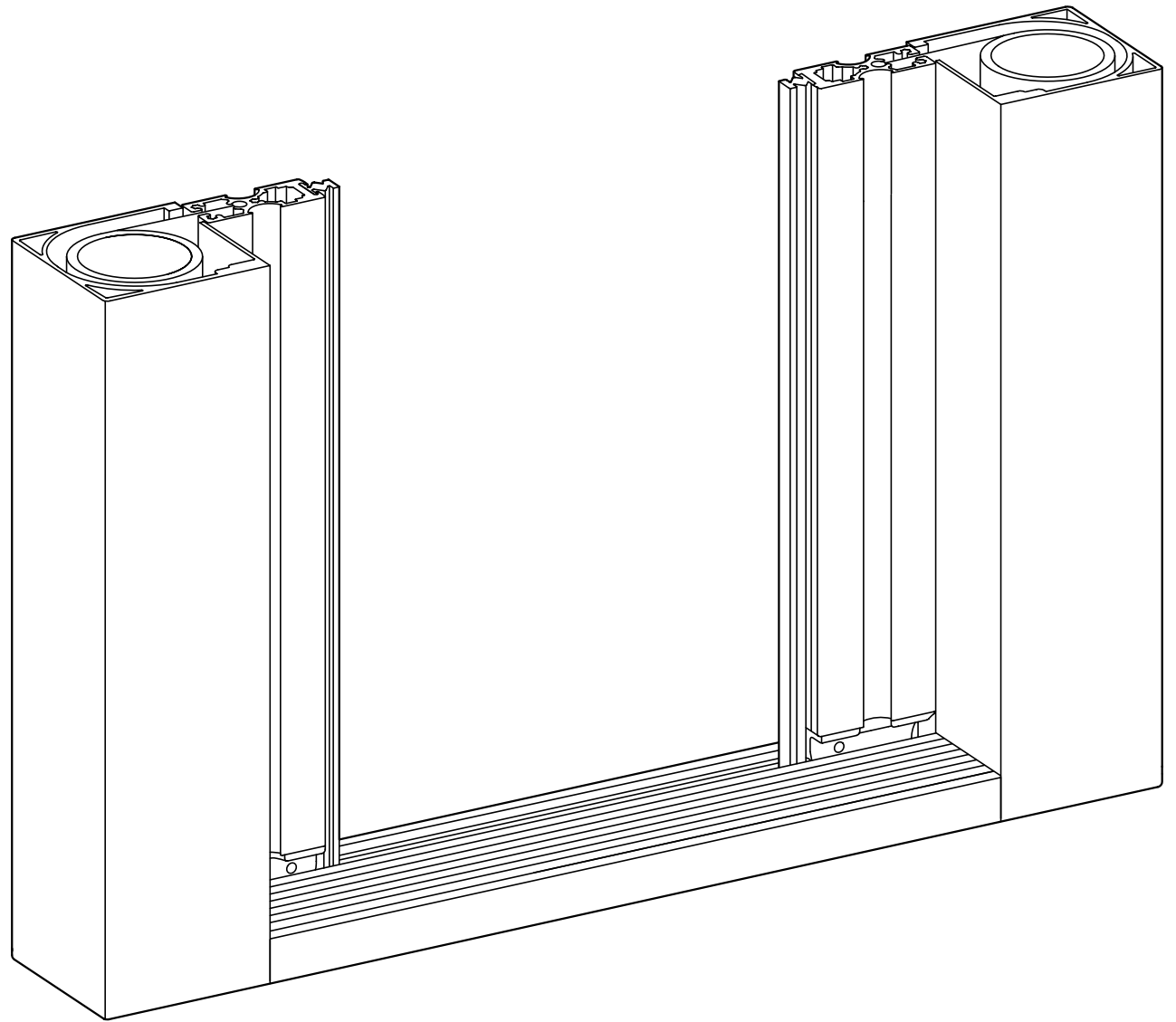


S2

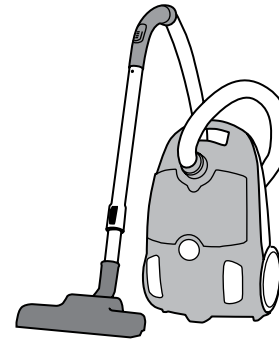
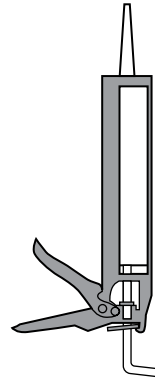
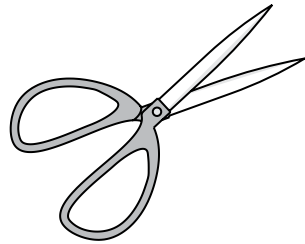
Double screen



Installation instructions

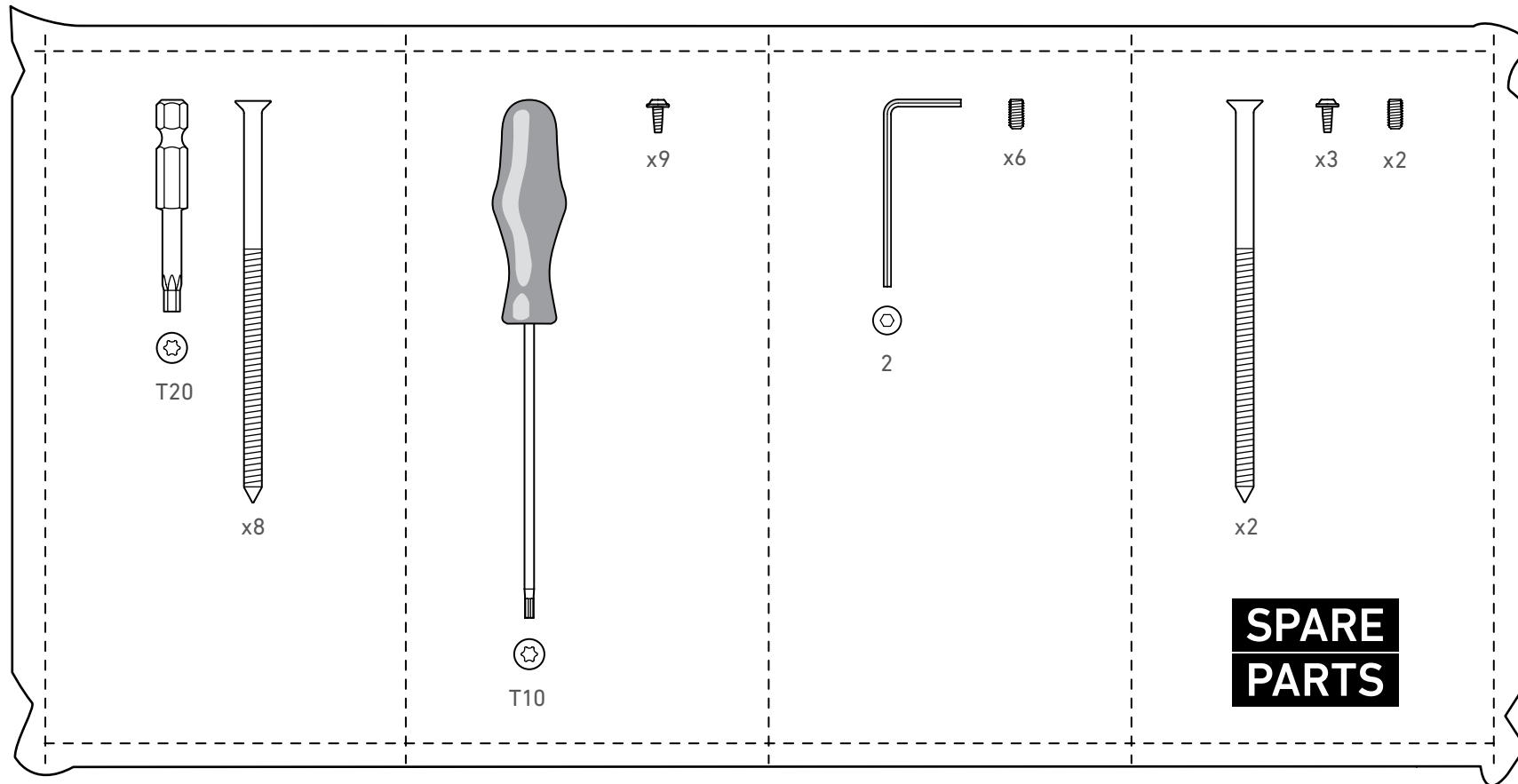
centor®

Tools required

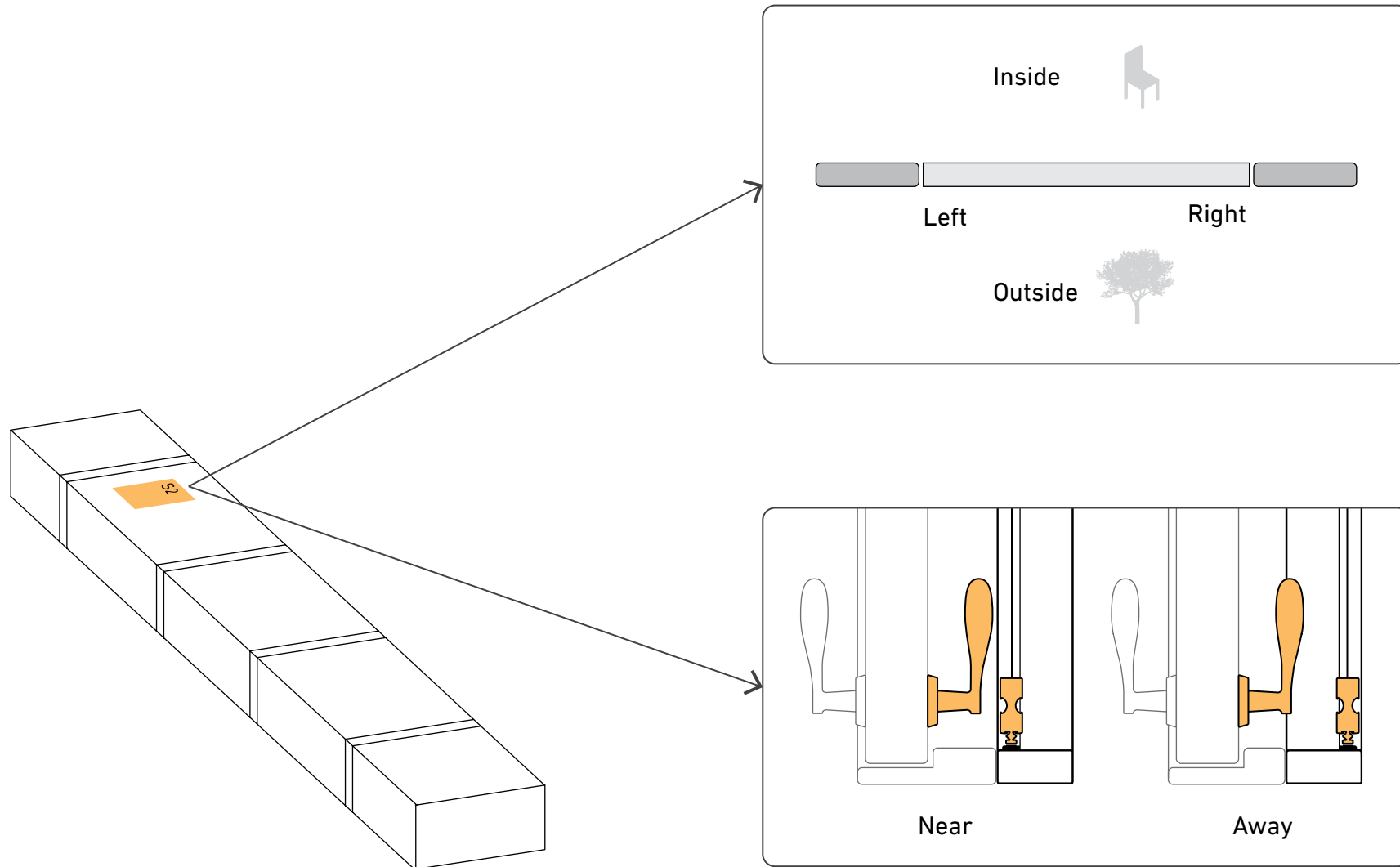


 T20

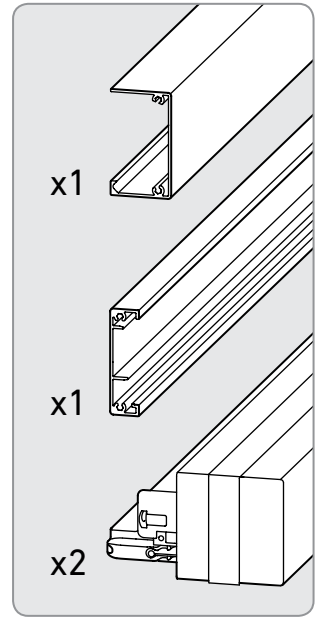
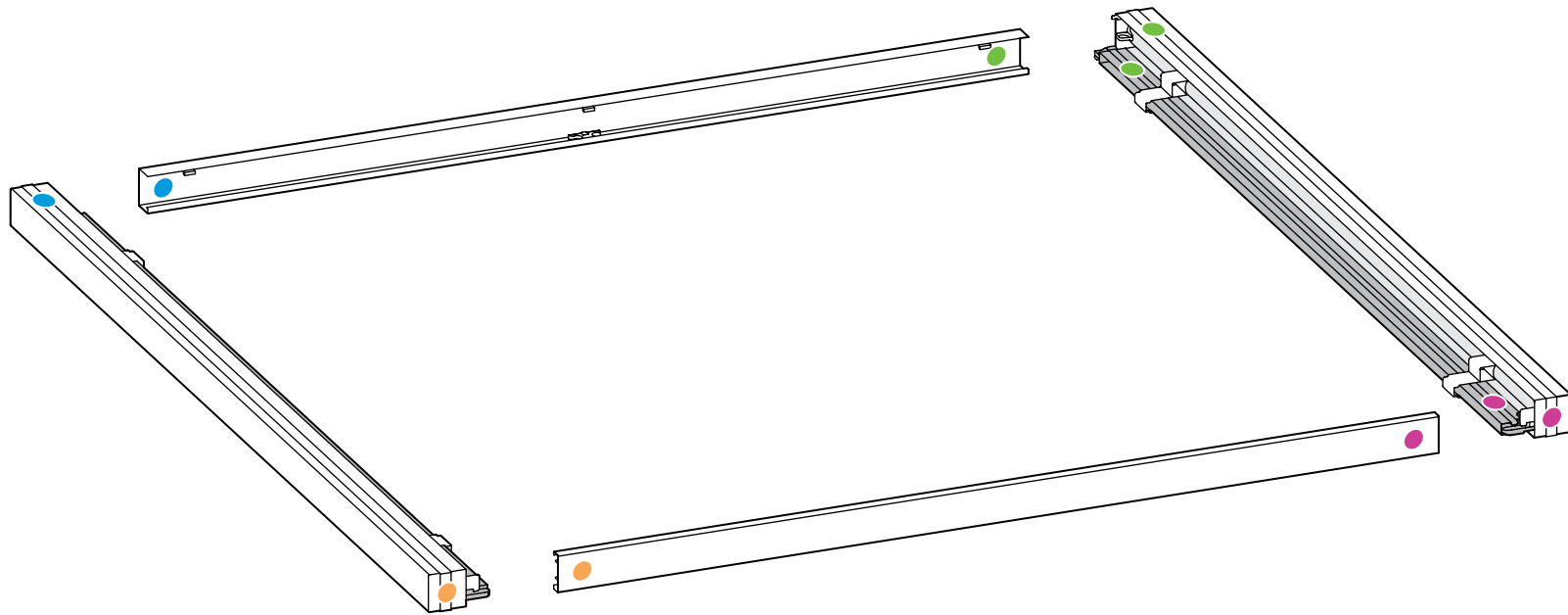
Installer pack – supplied



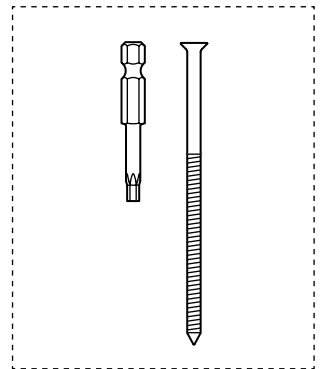
1.0 Check delivery



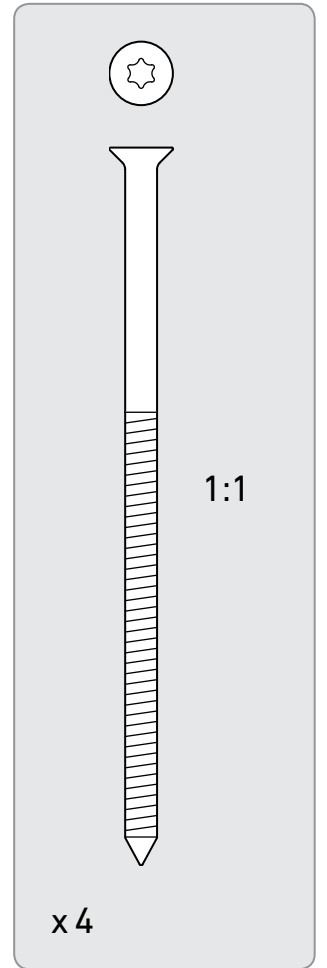
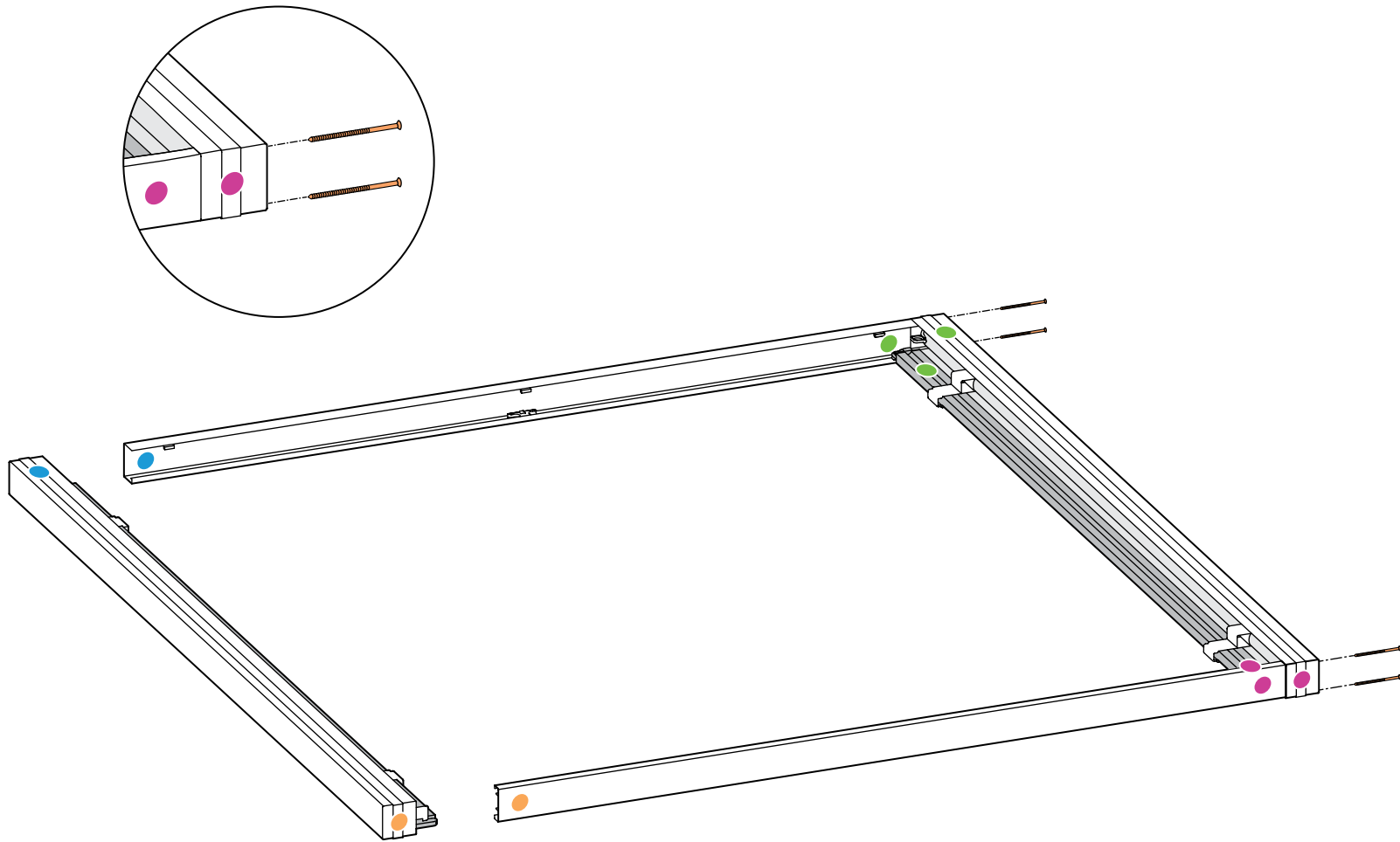
2.0 Assemble frame



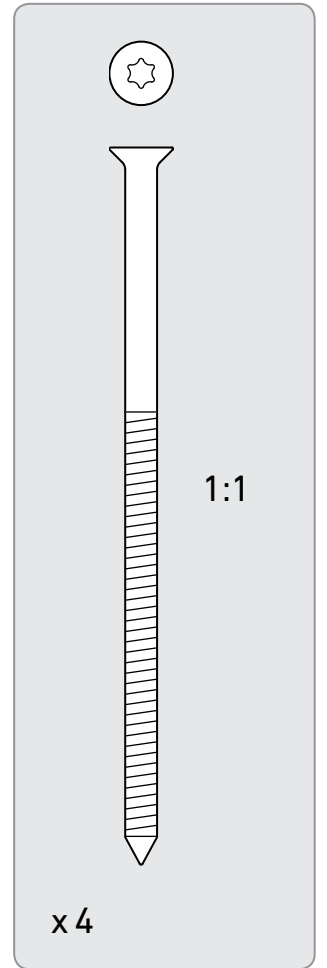
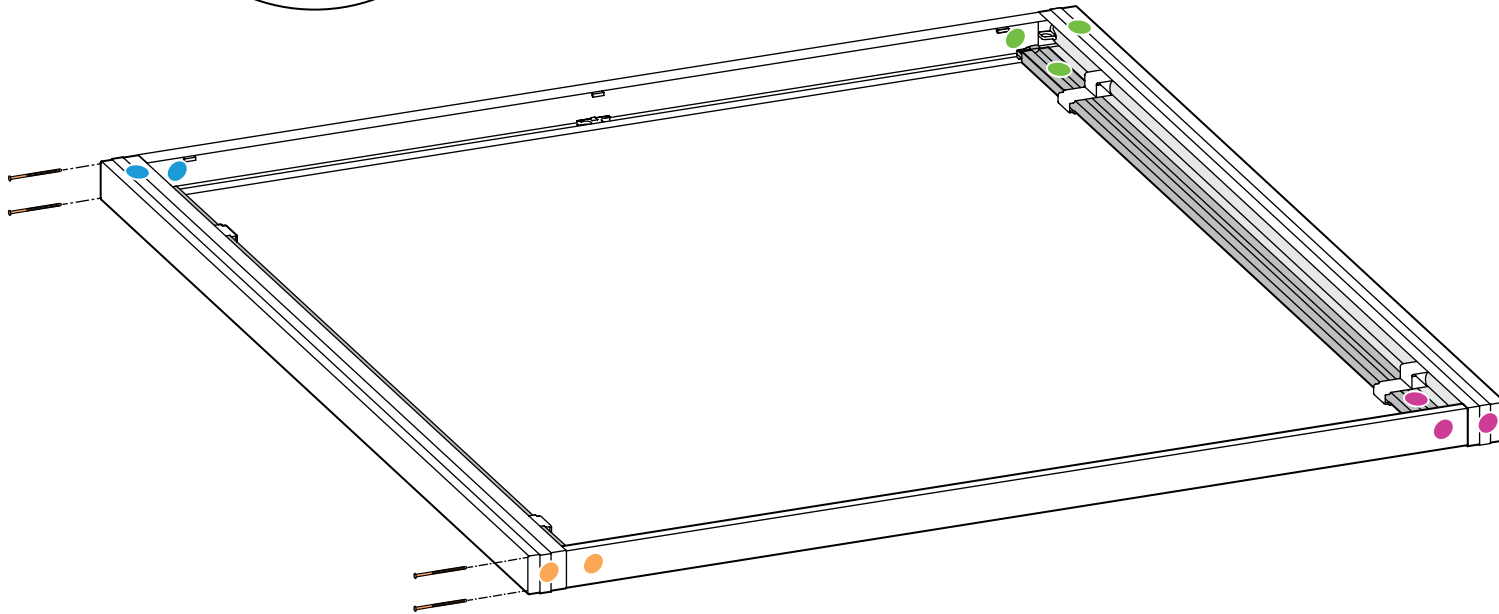
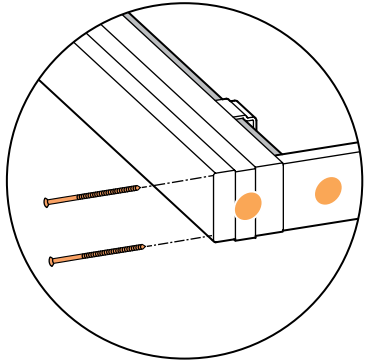
+



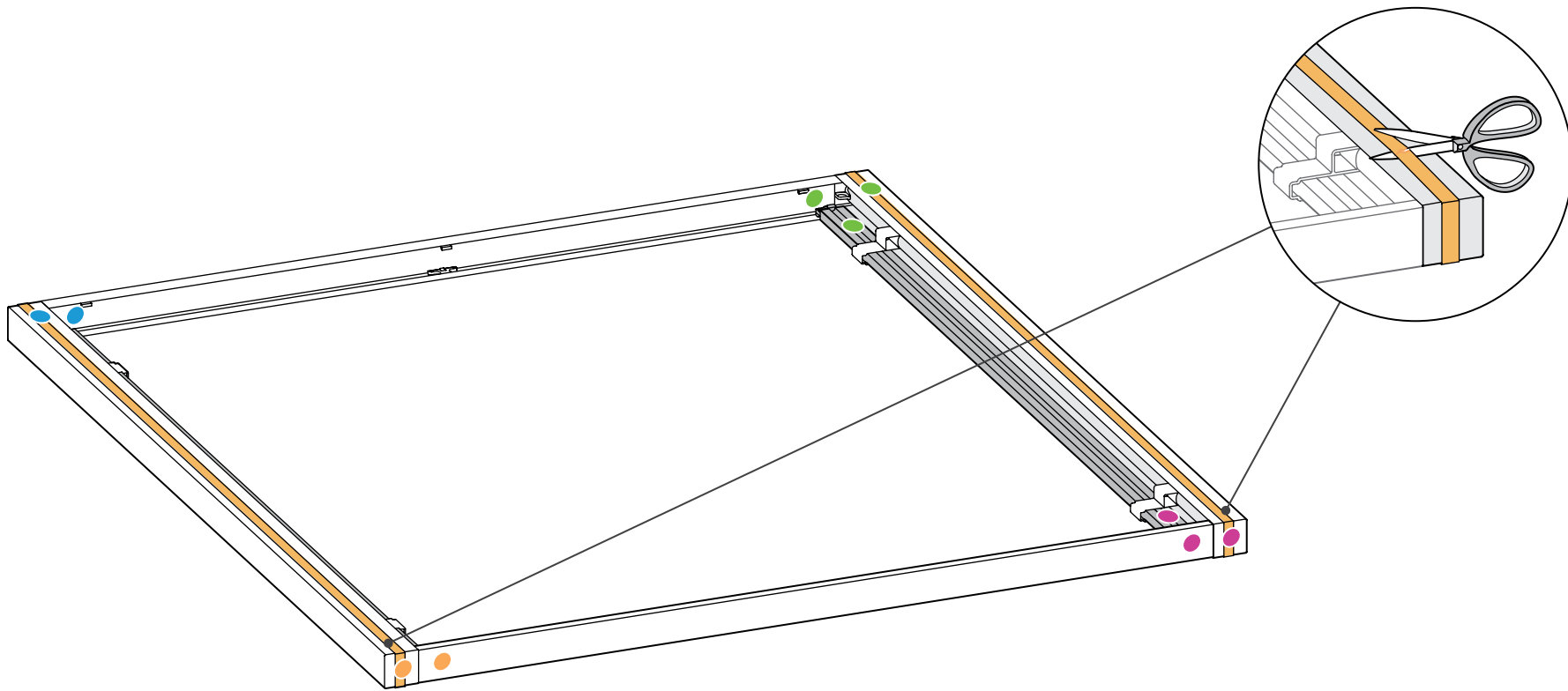
2.1



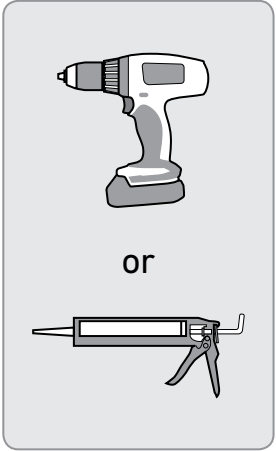
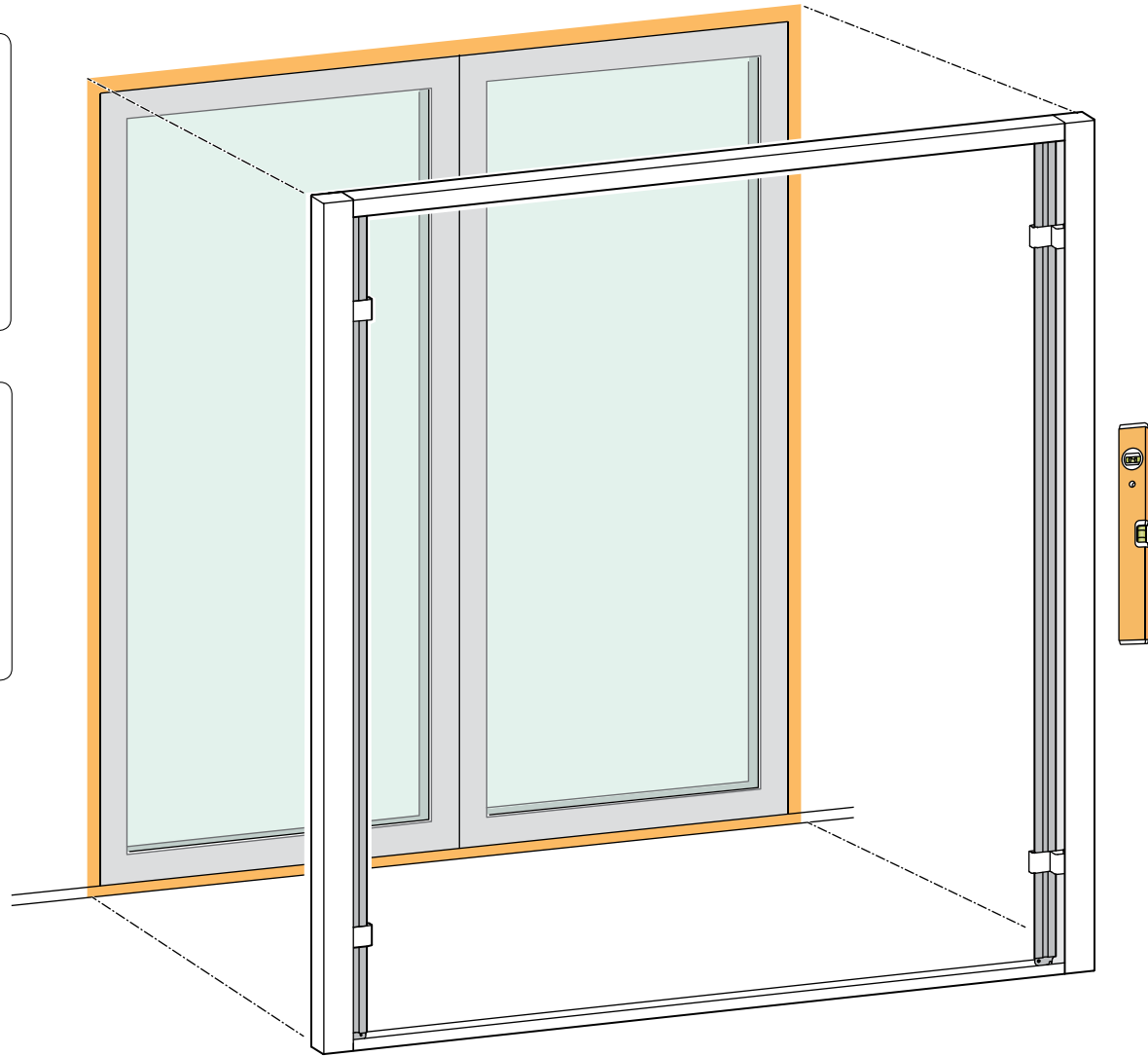
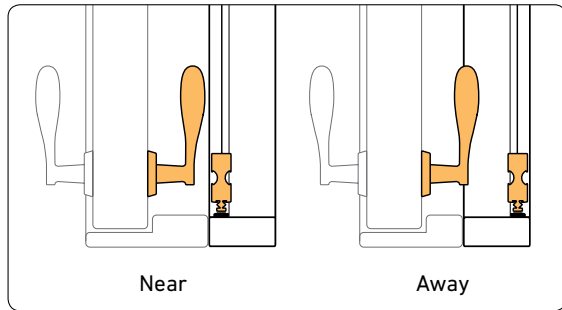
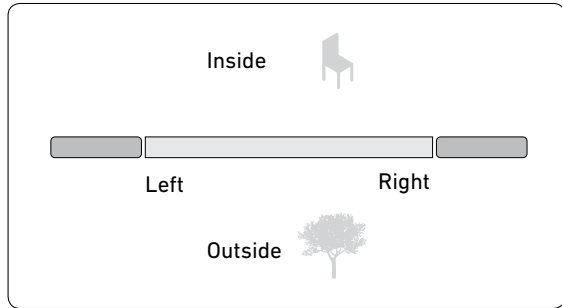
2.2



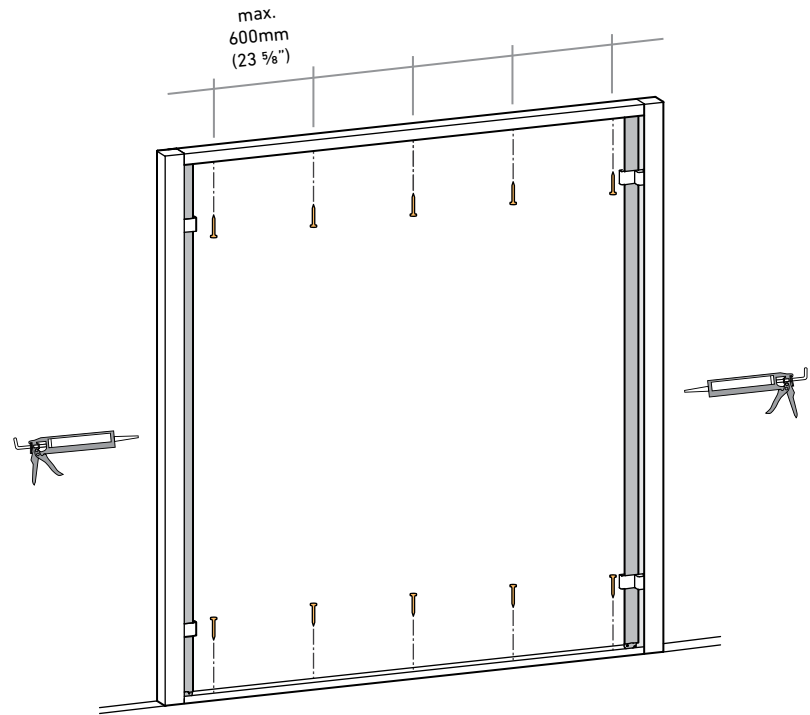
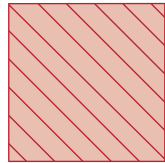
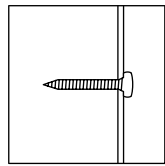
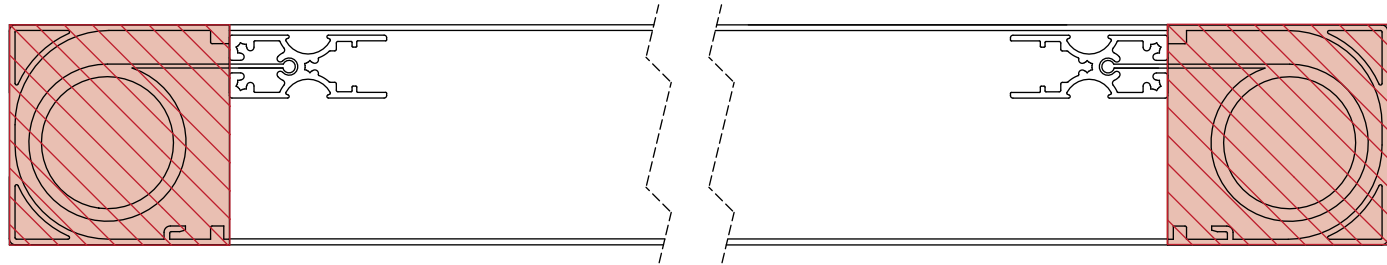
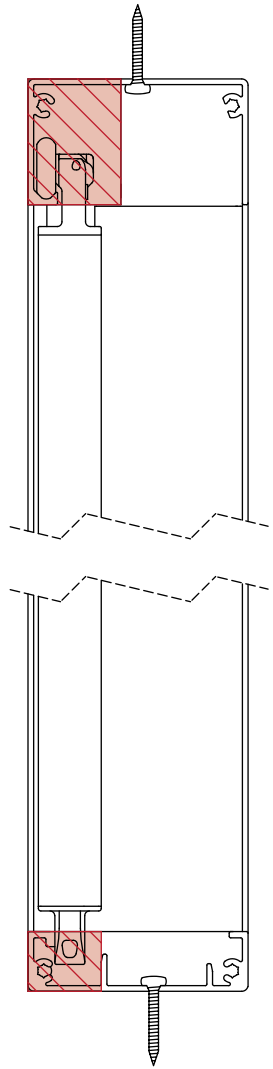
2.3



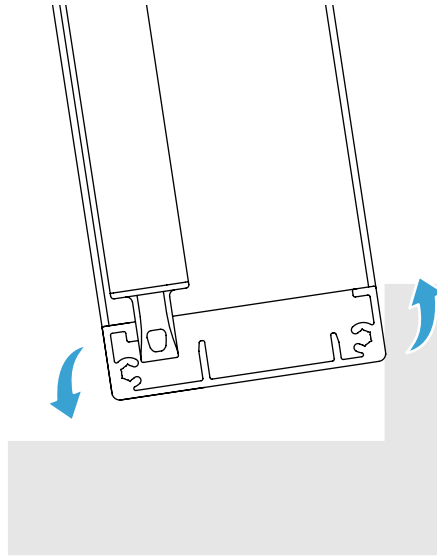
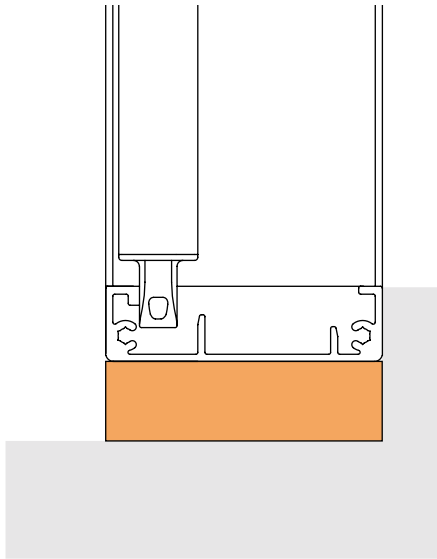
3.0 Fix frame to opening



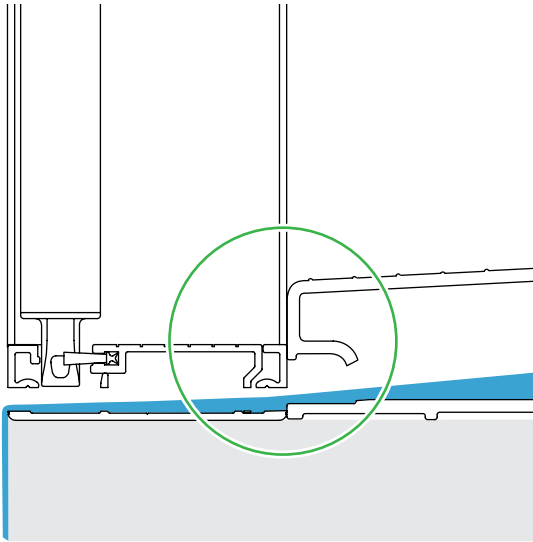
3.1



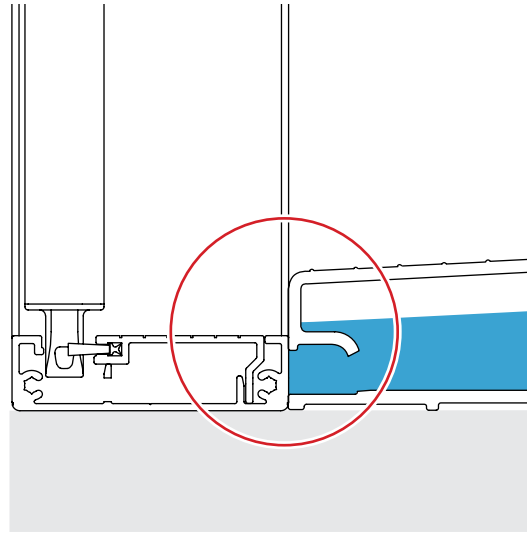
3.2



3.3

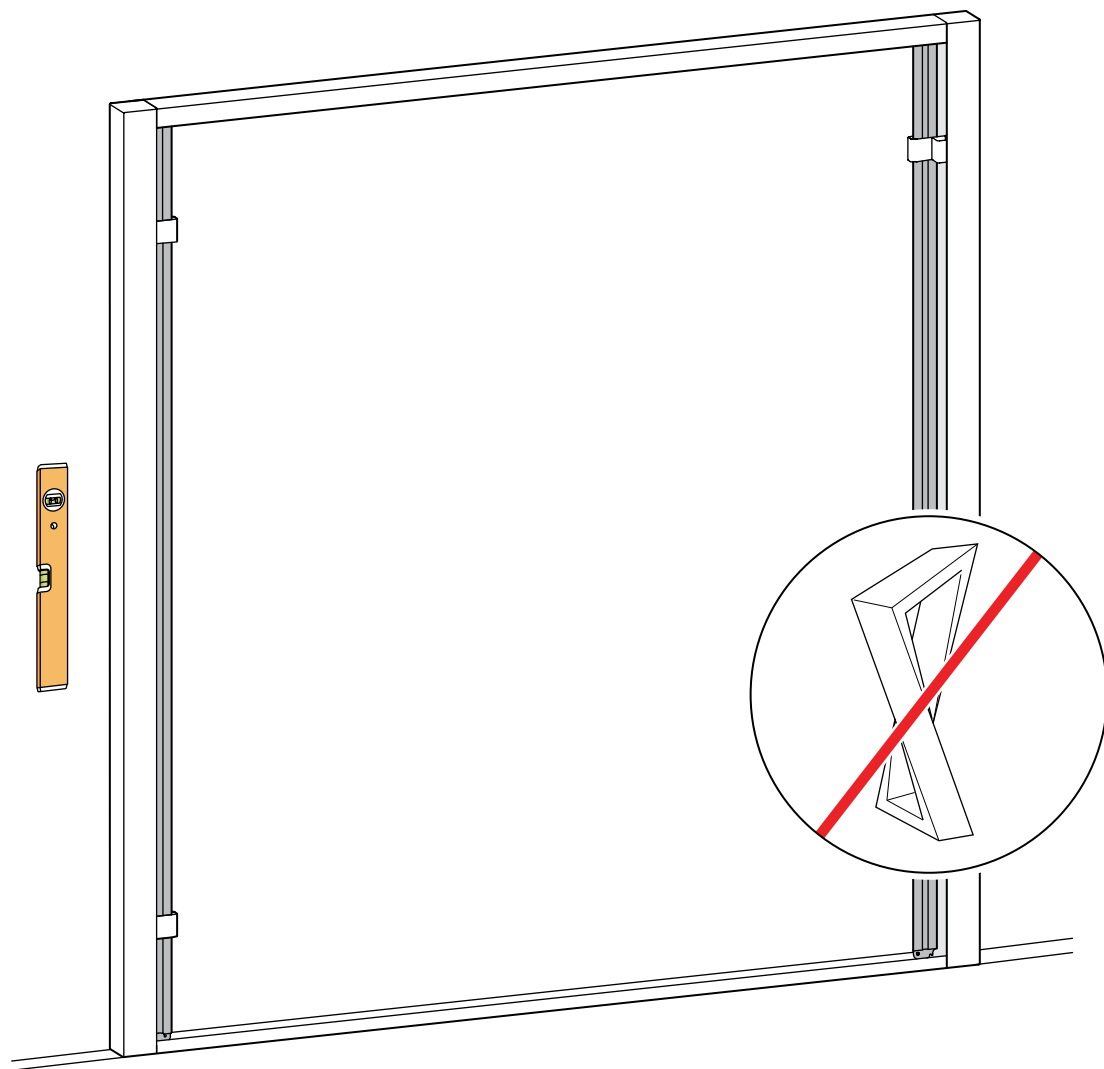


✓

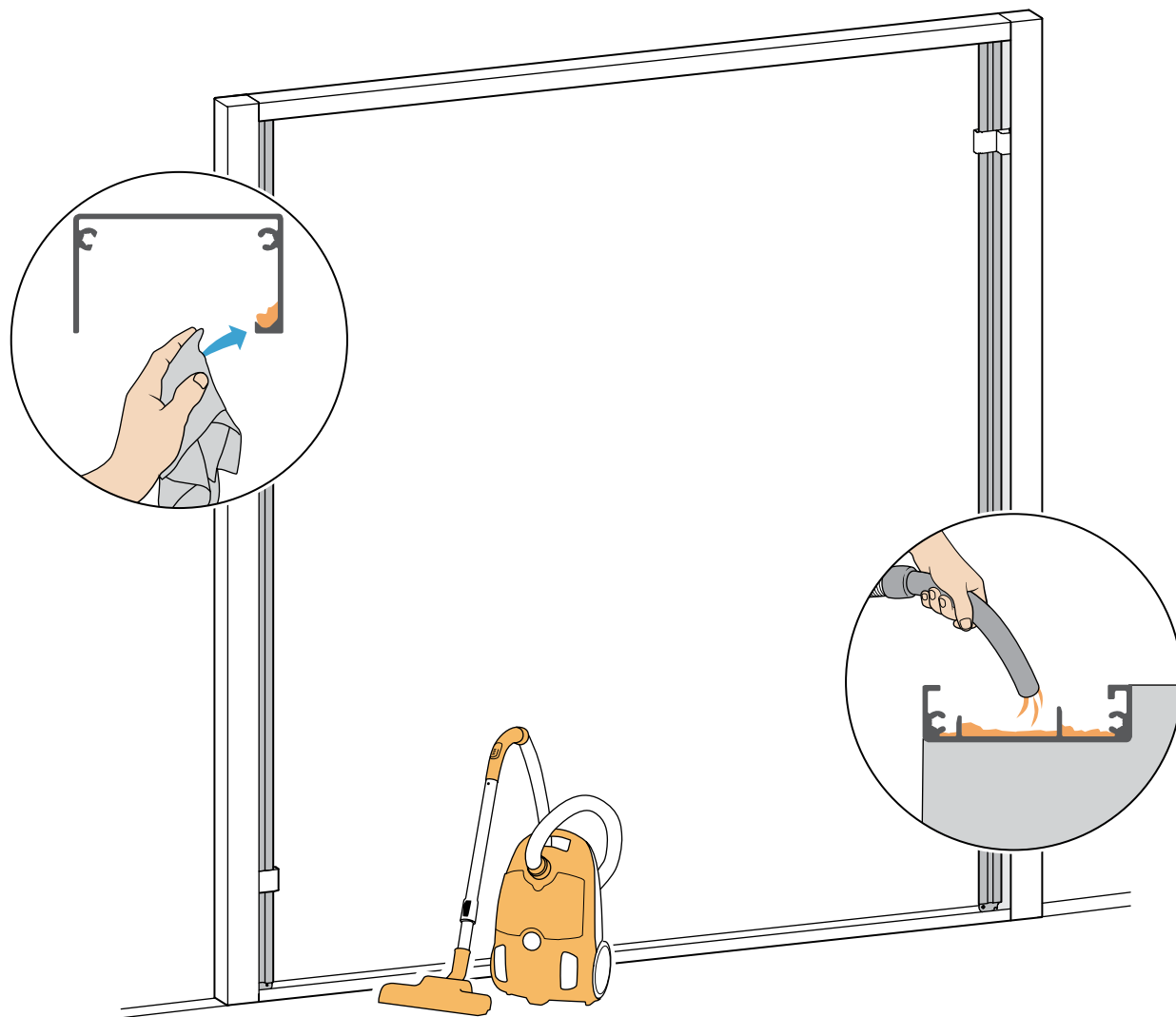


✗

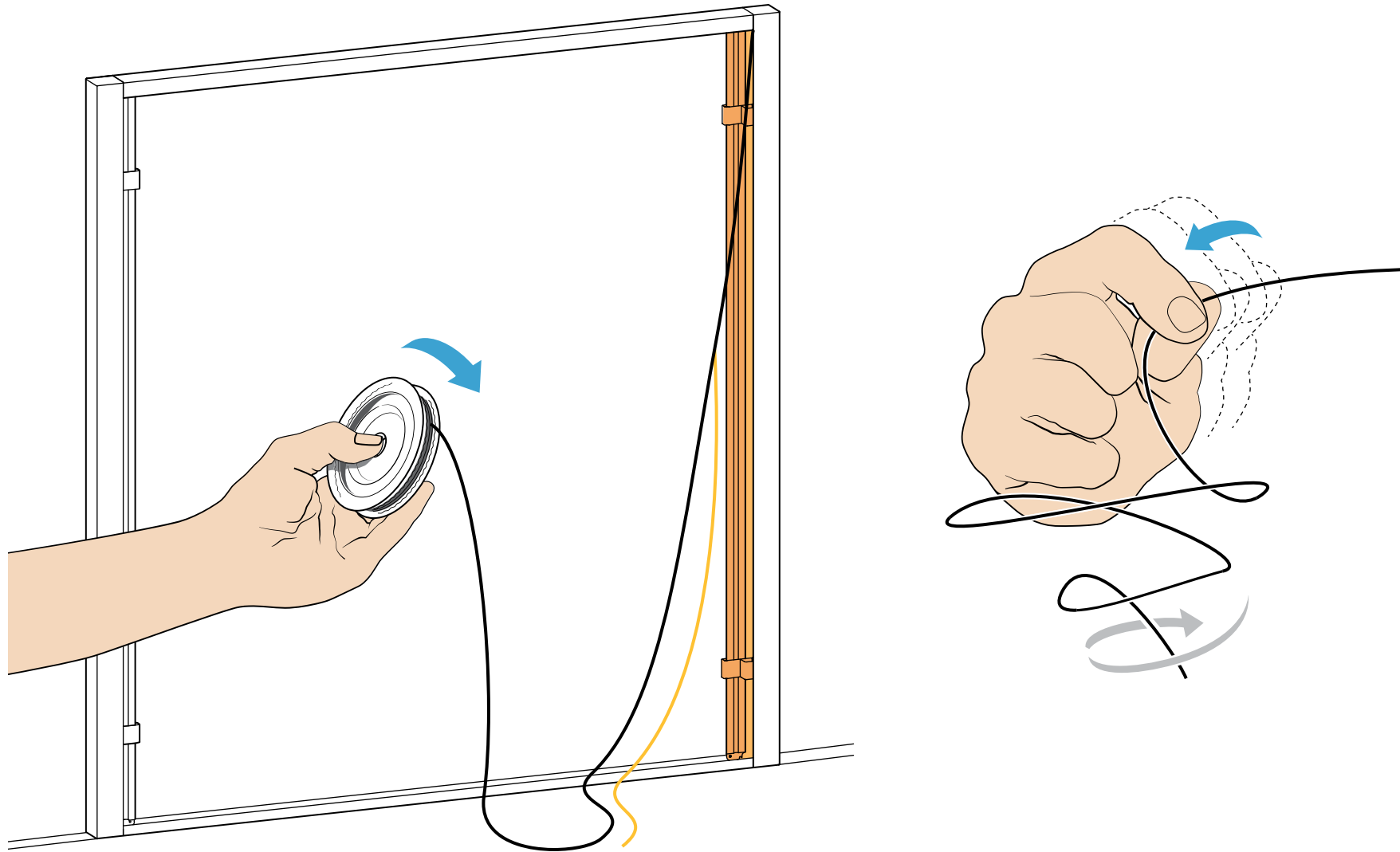
3.4



3.5

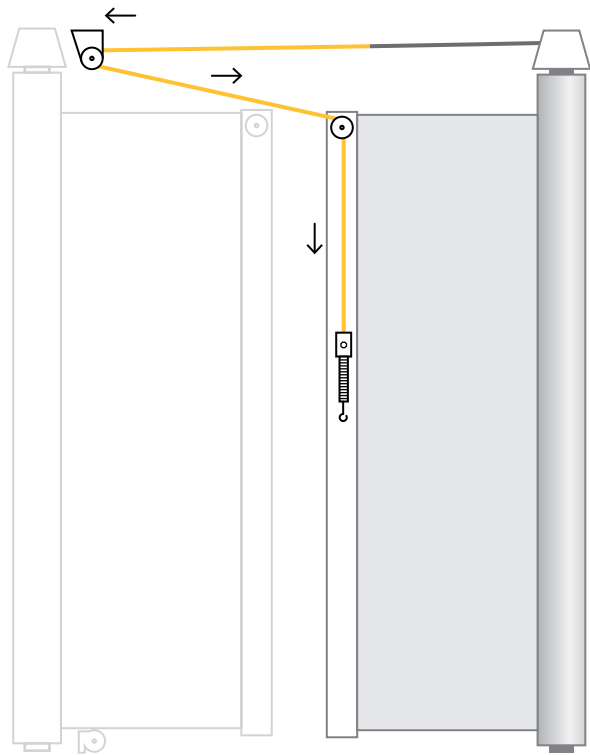


4.0 Cable first screen

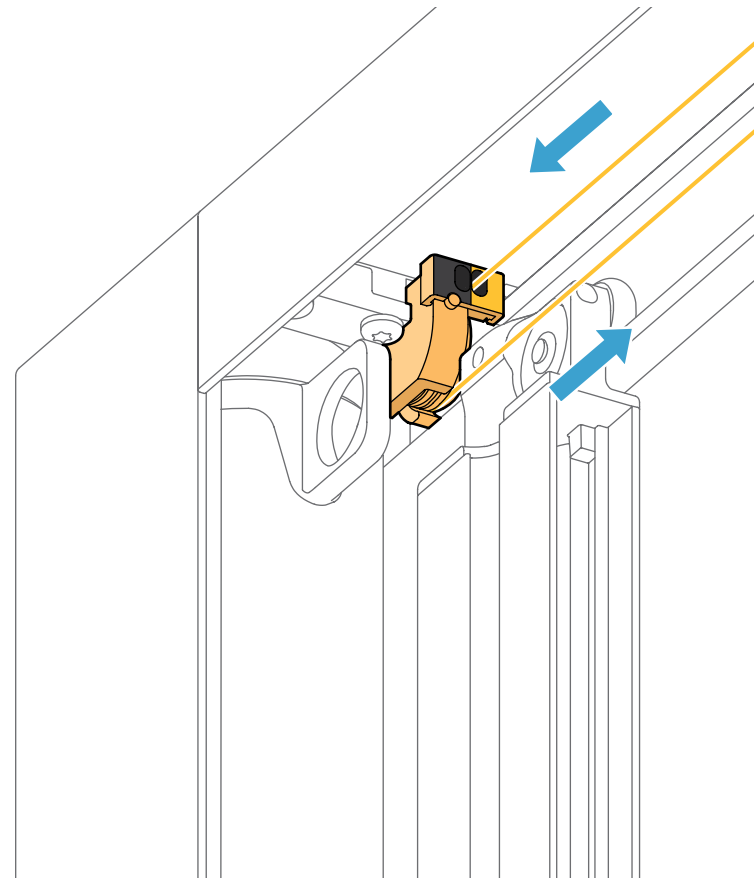


4.1

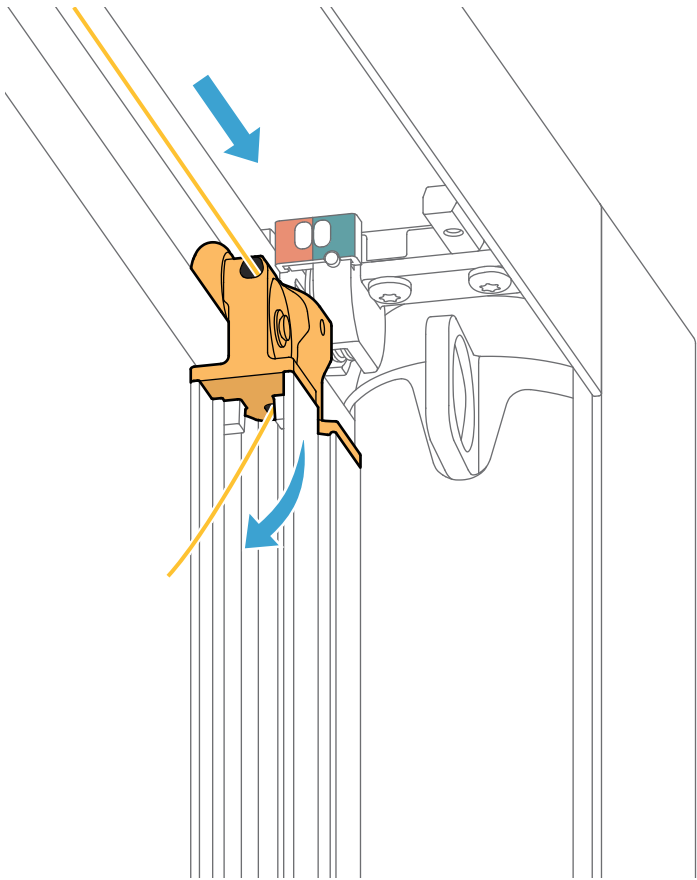
Top cable map



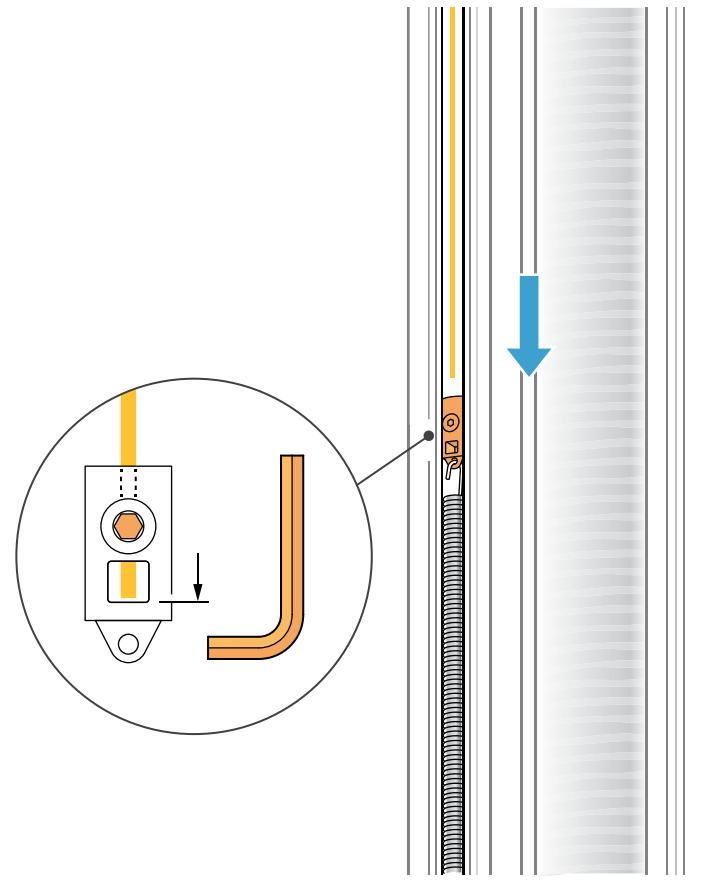
A.



B.

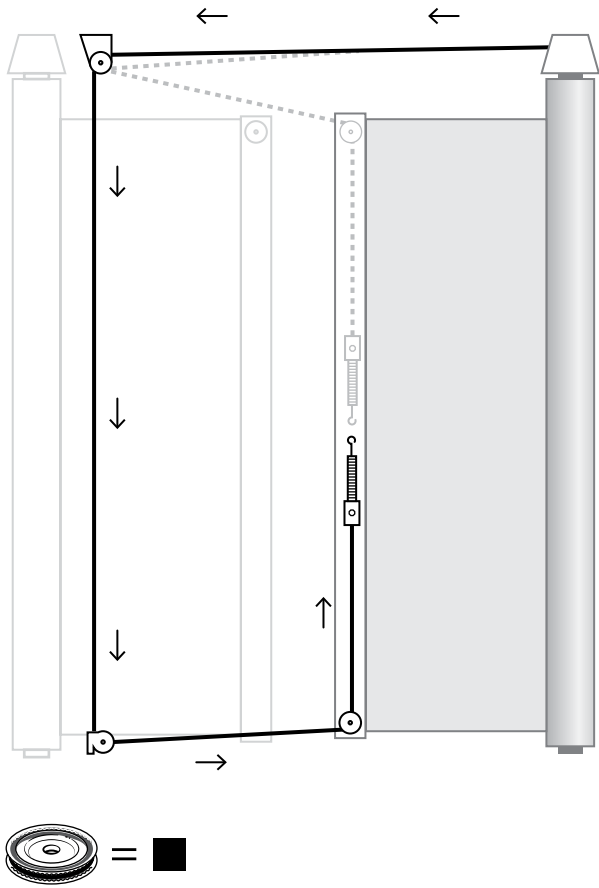


C.

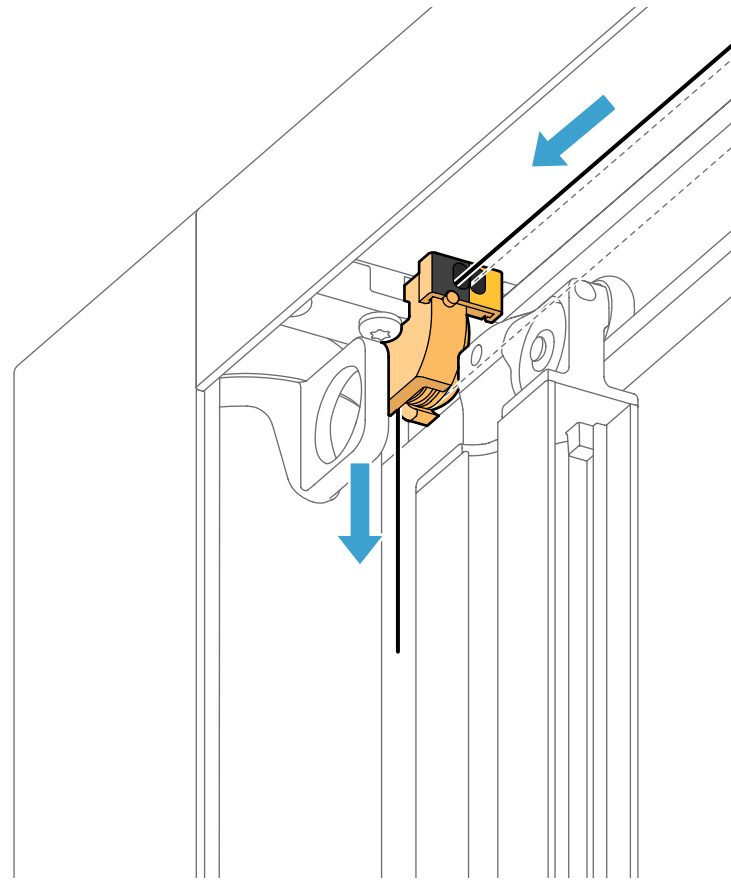


4.2

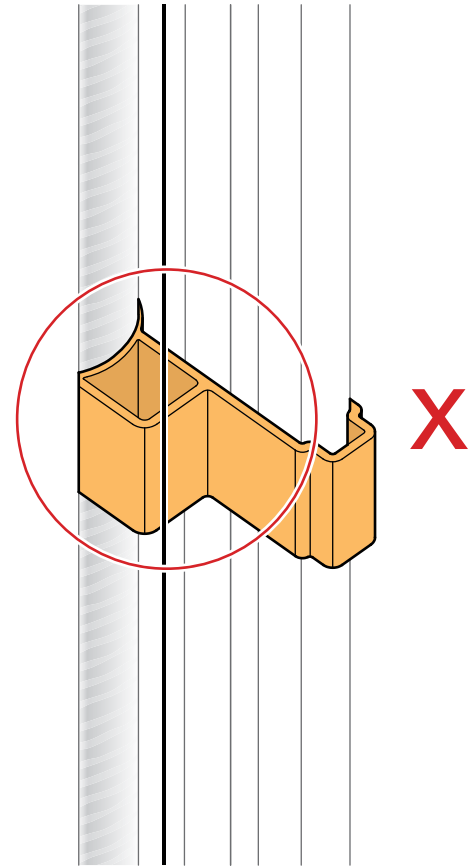
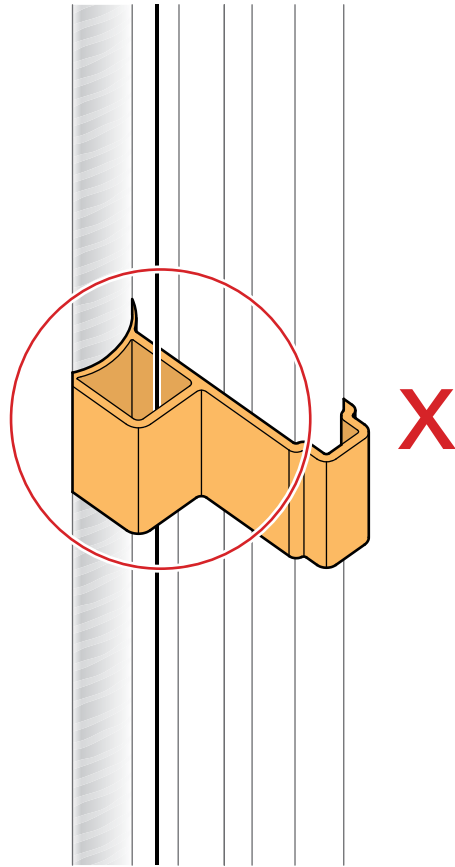
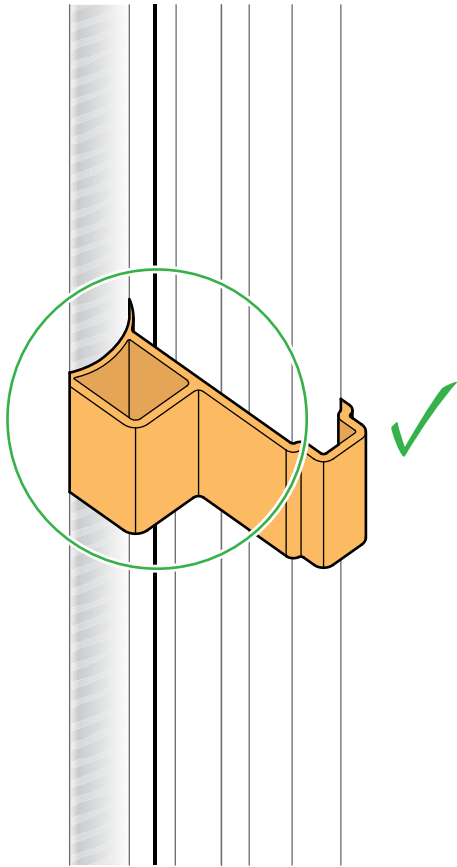
Bottom cable map



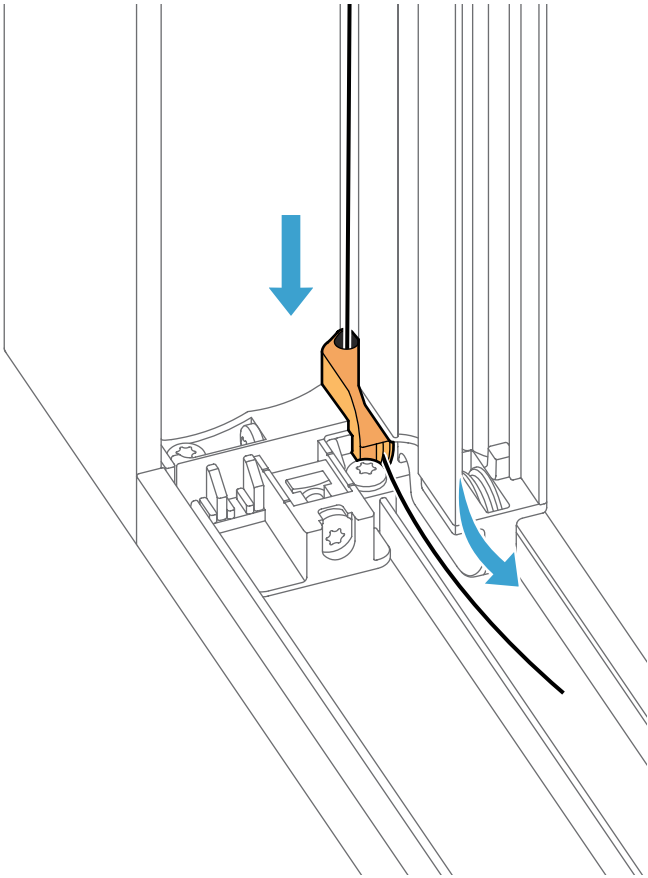
A.



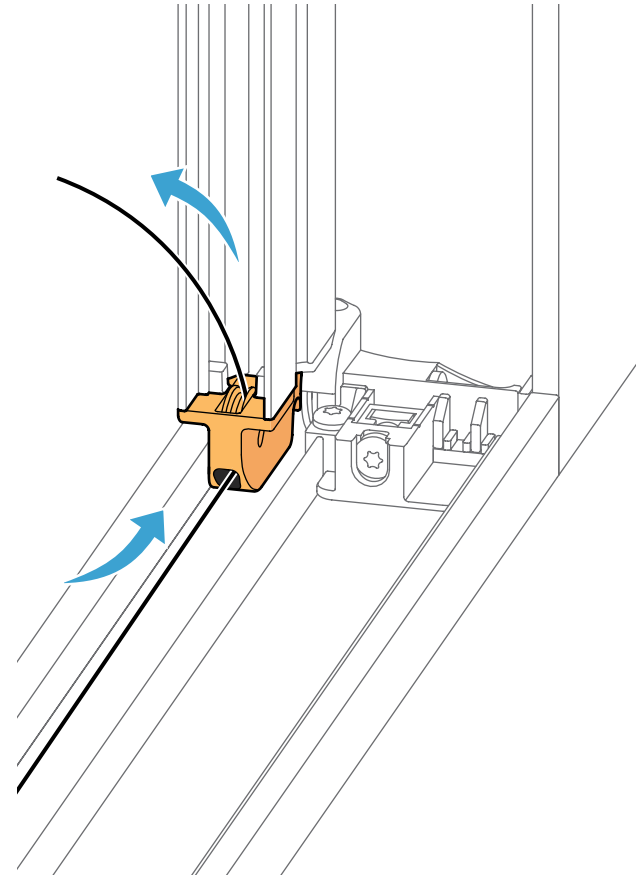
B.



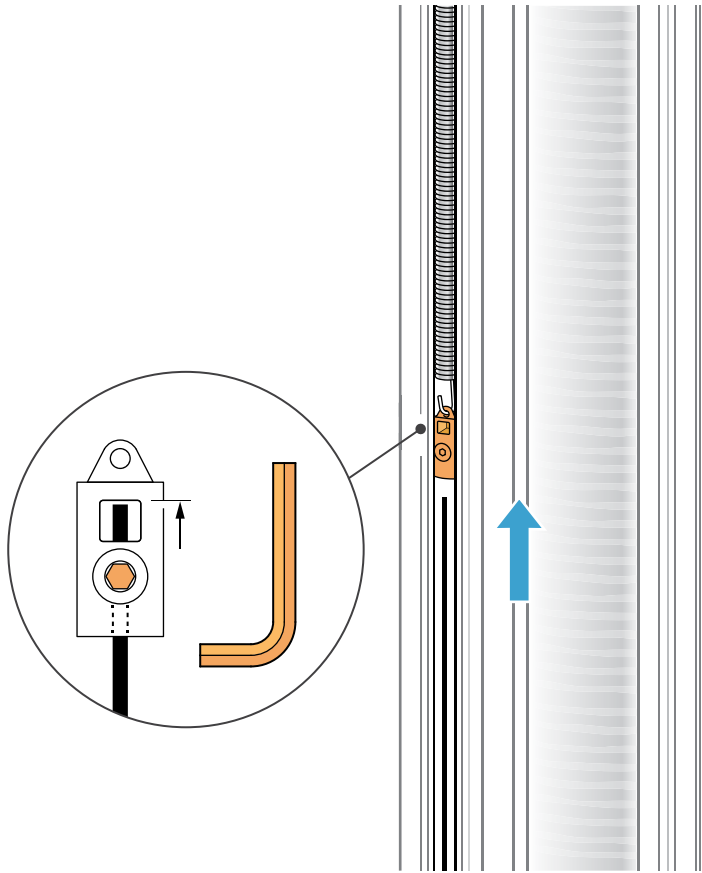
C.



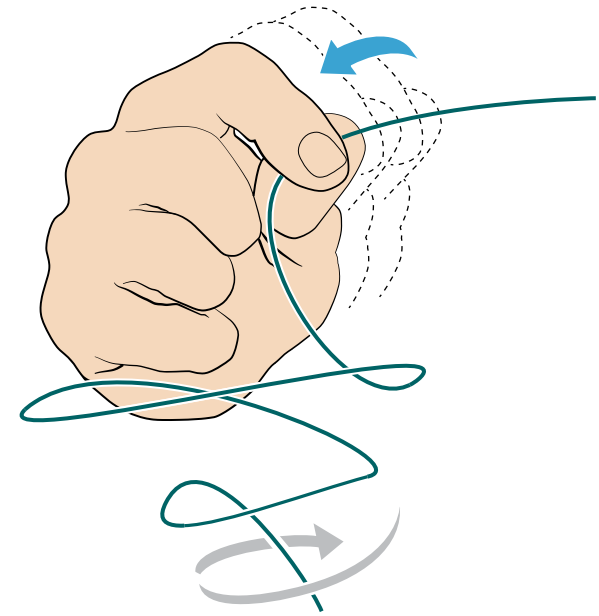
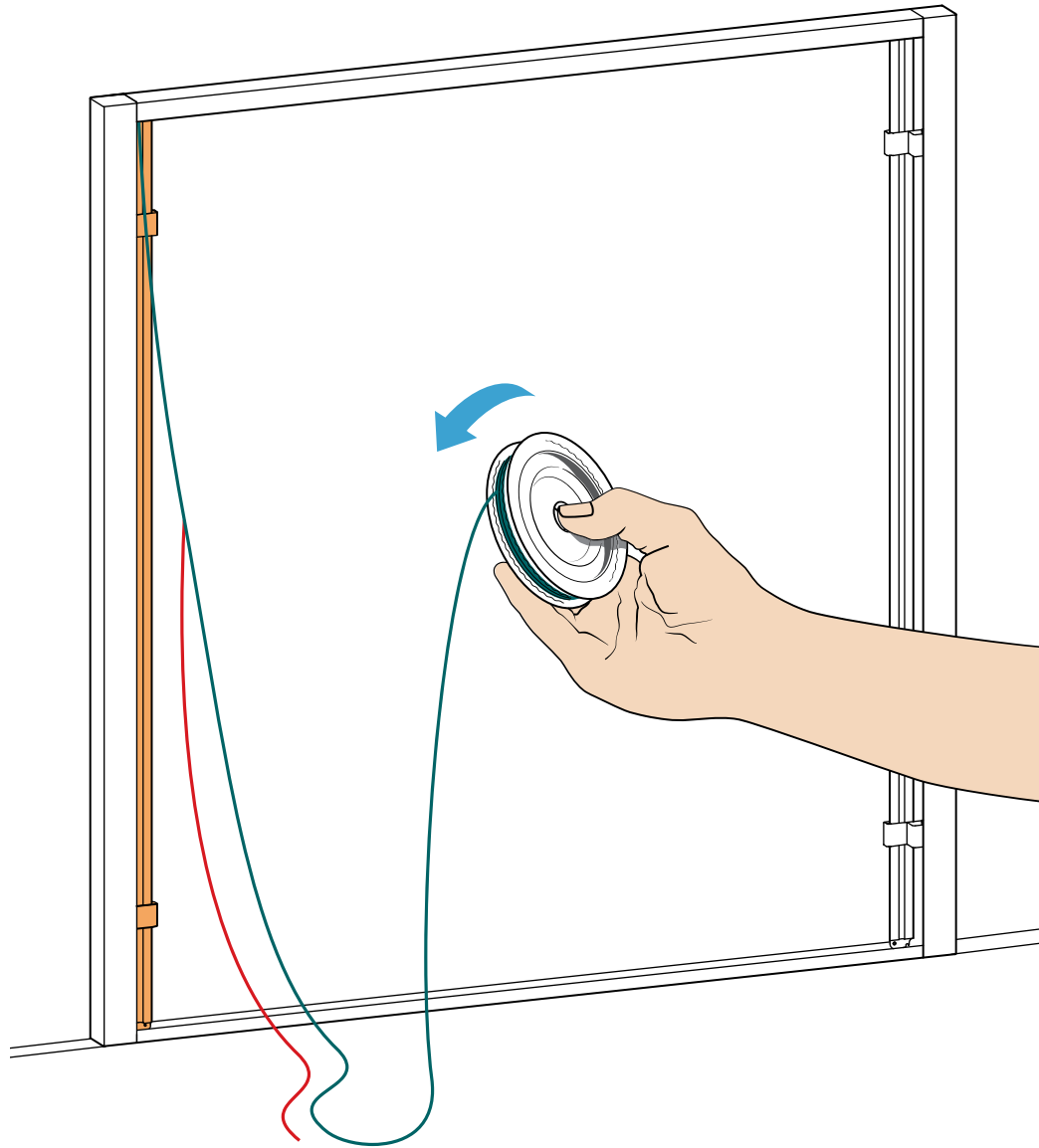
D.



E.

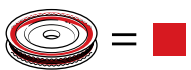
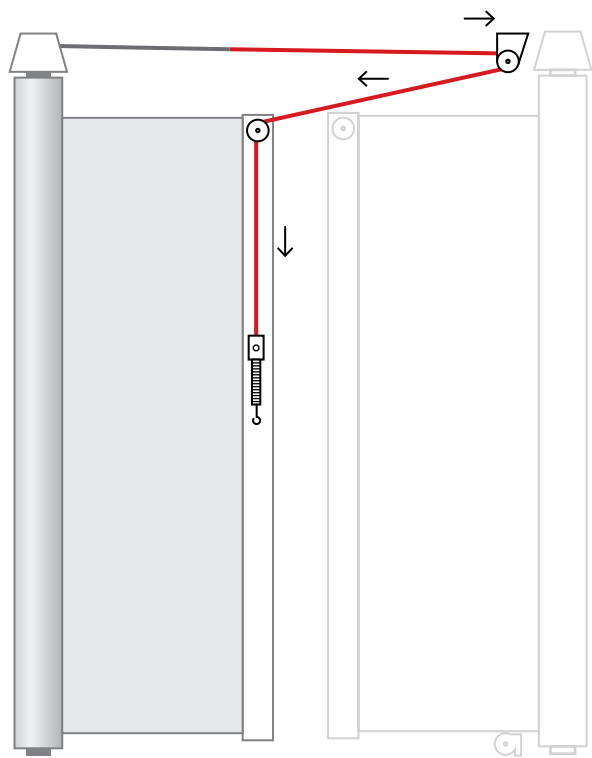


5.0 Cable second screen

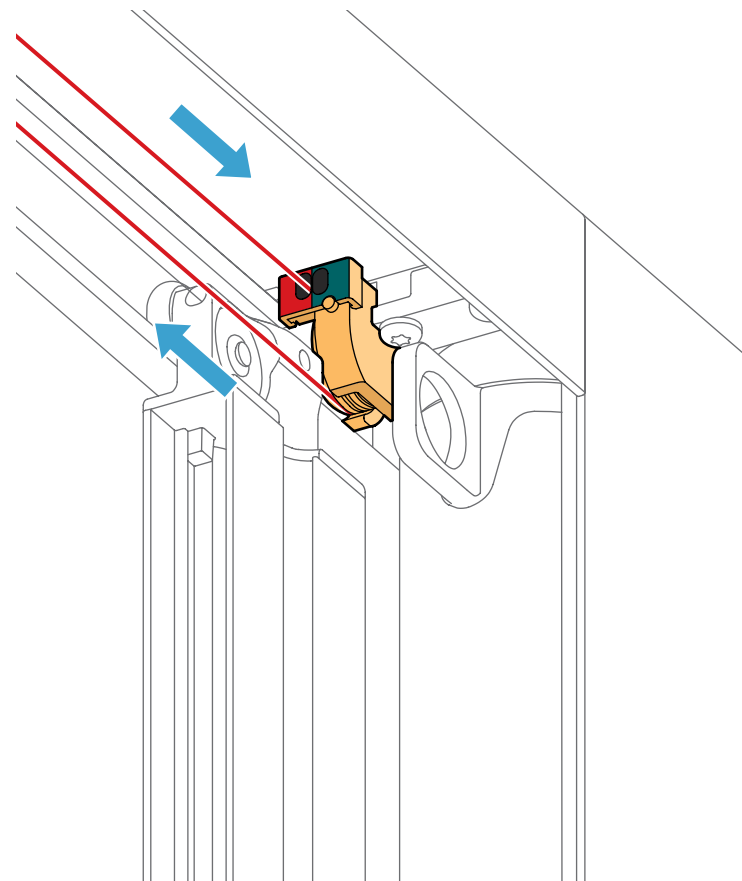


5.1

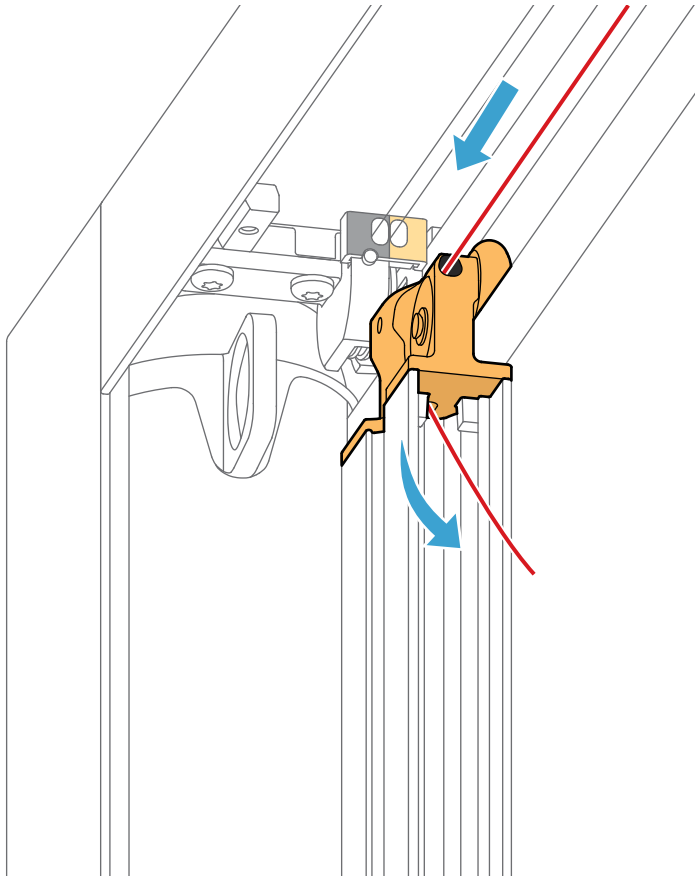
Top cable map



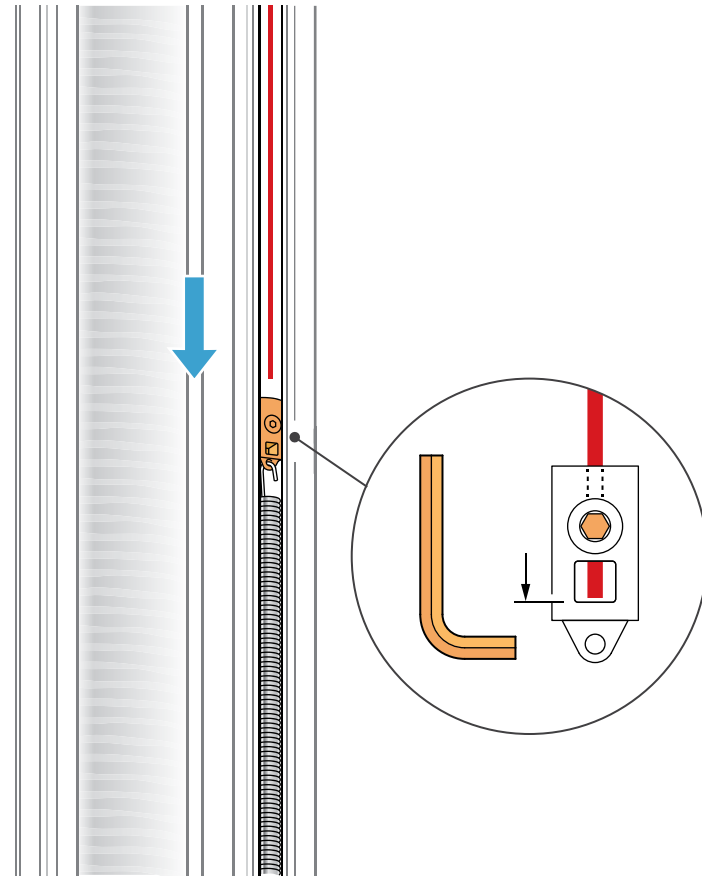
A.



B.

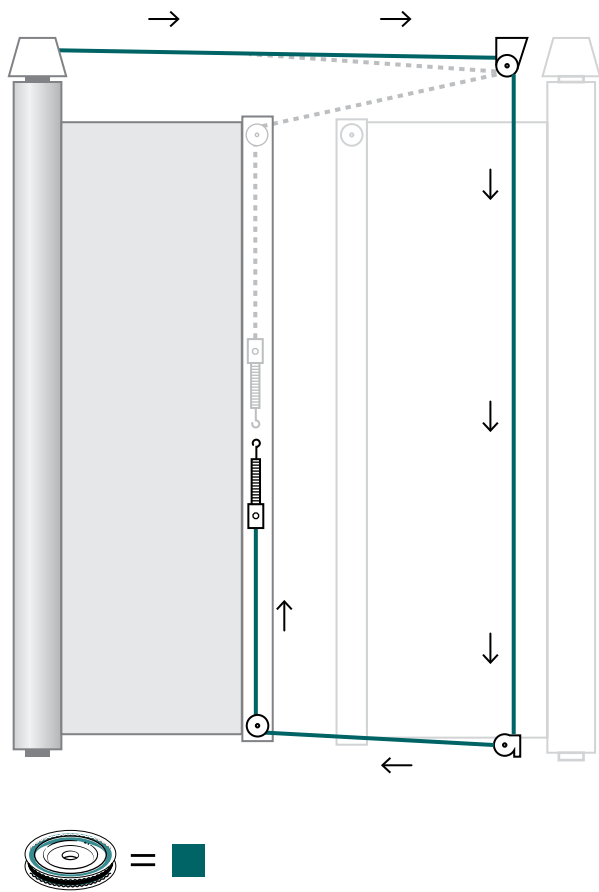


C.

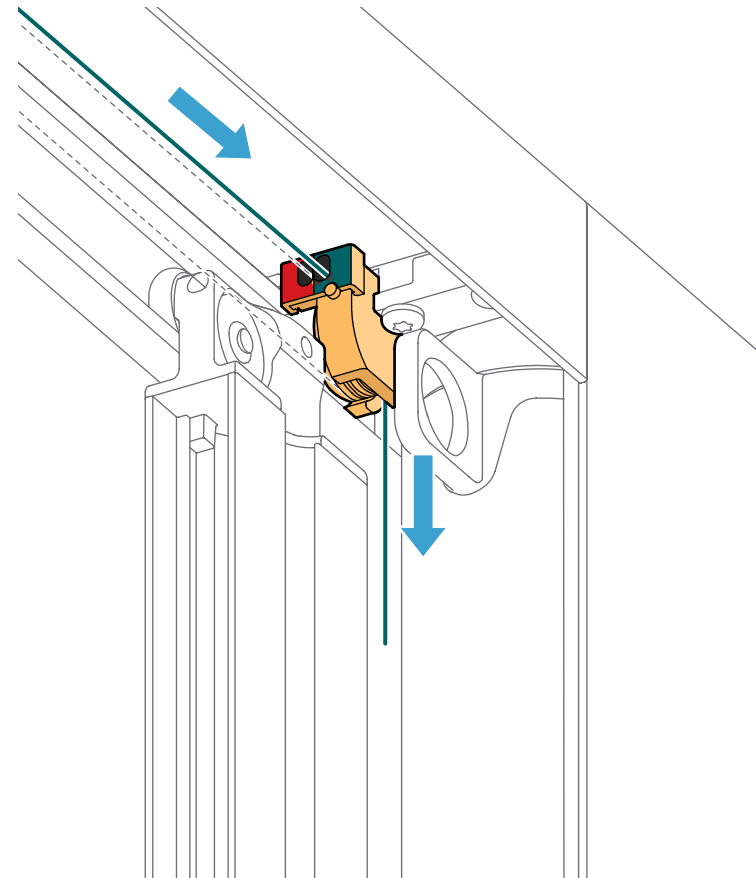


5.2

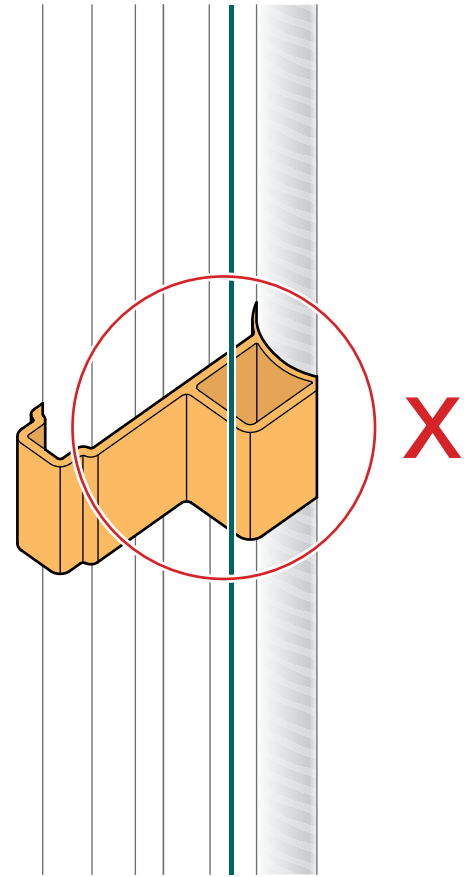
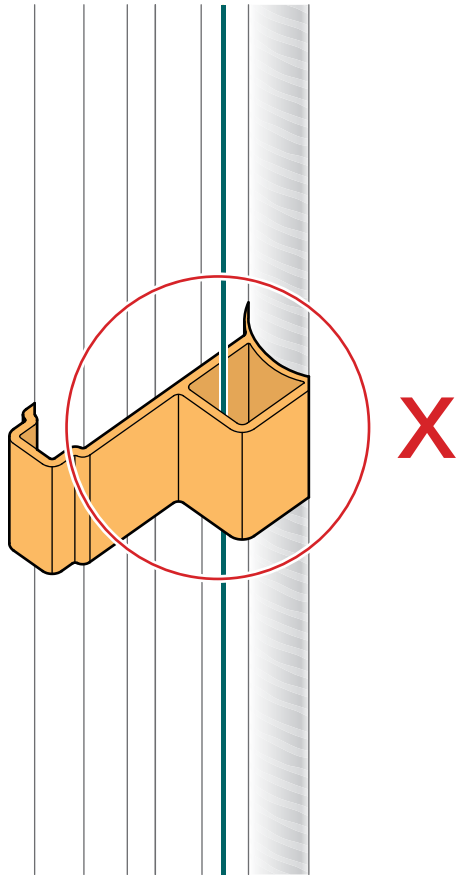
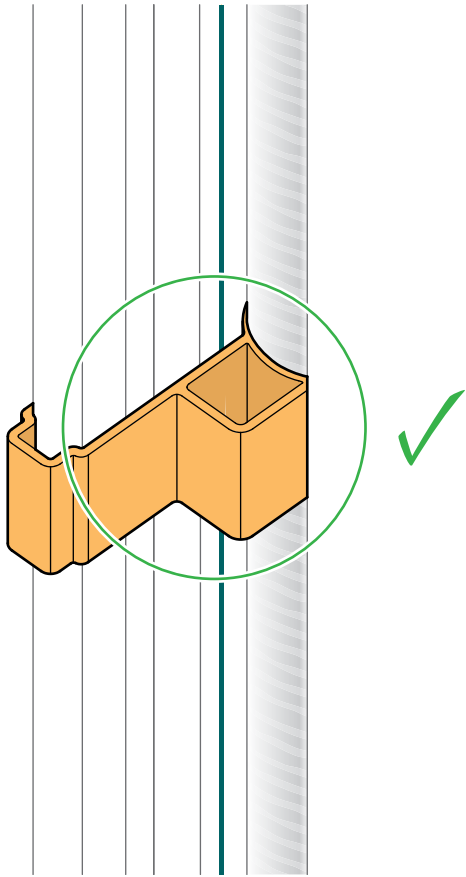
Bottom cable map



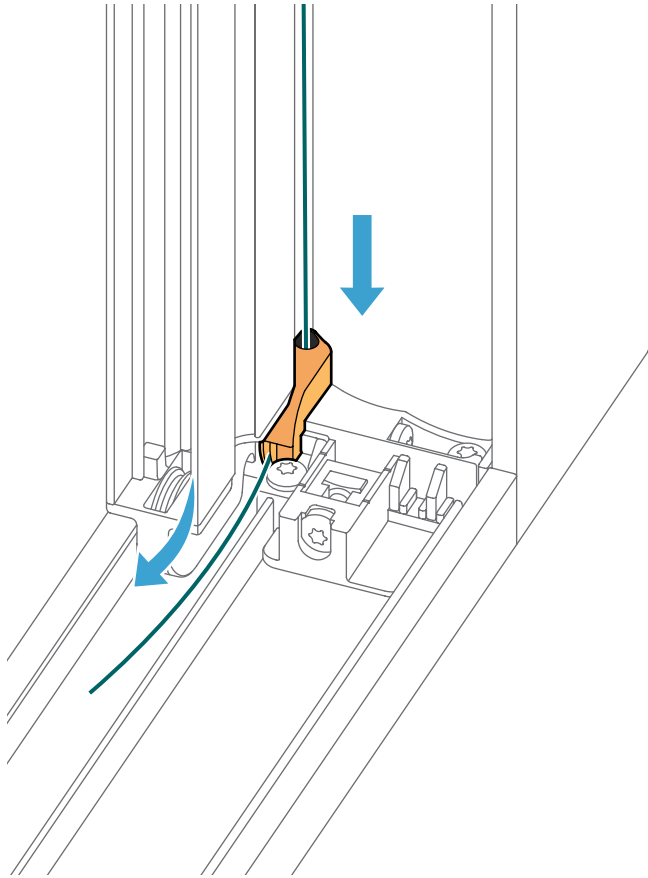
A.



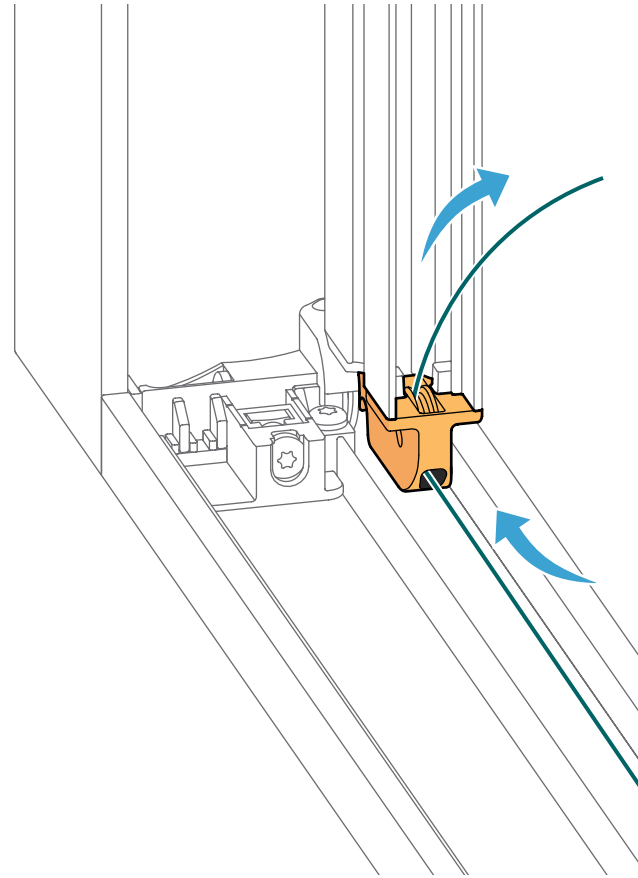
B.



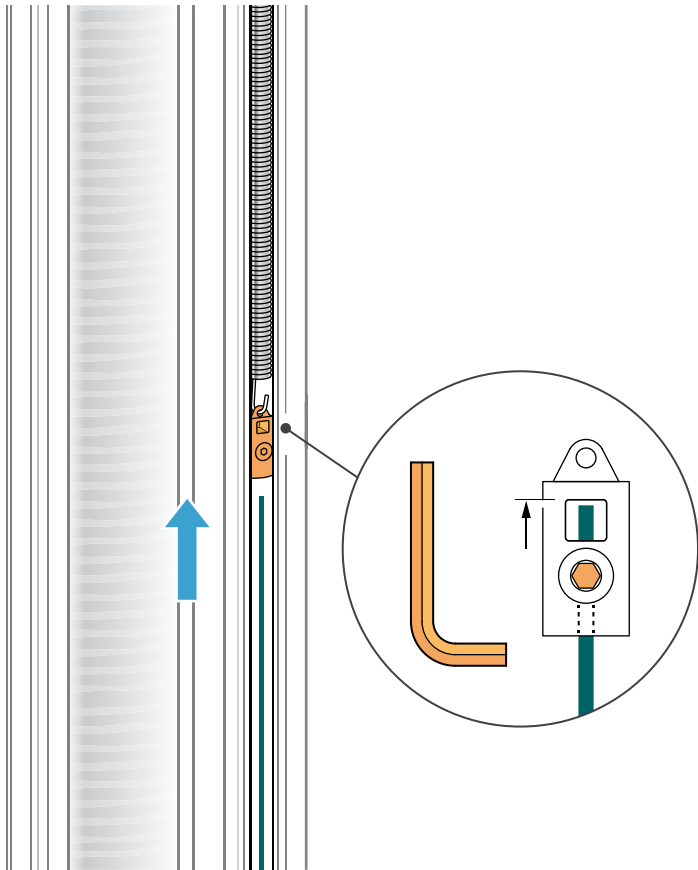
C.



D.

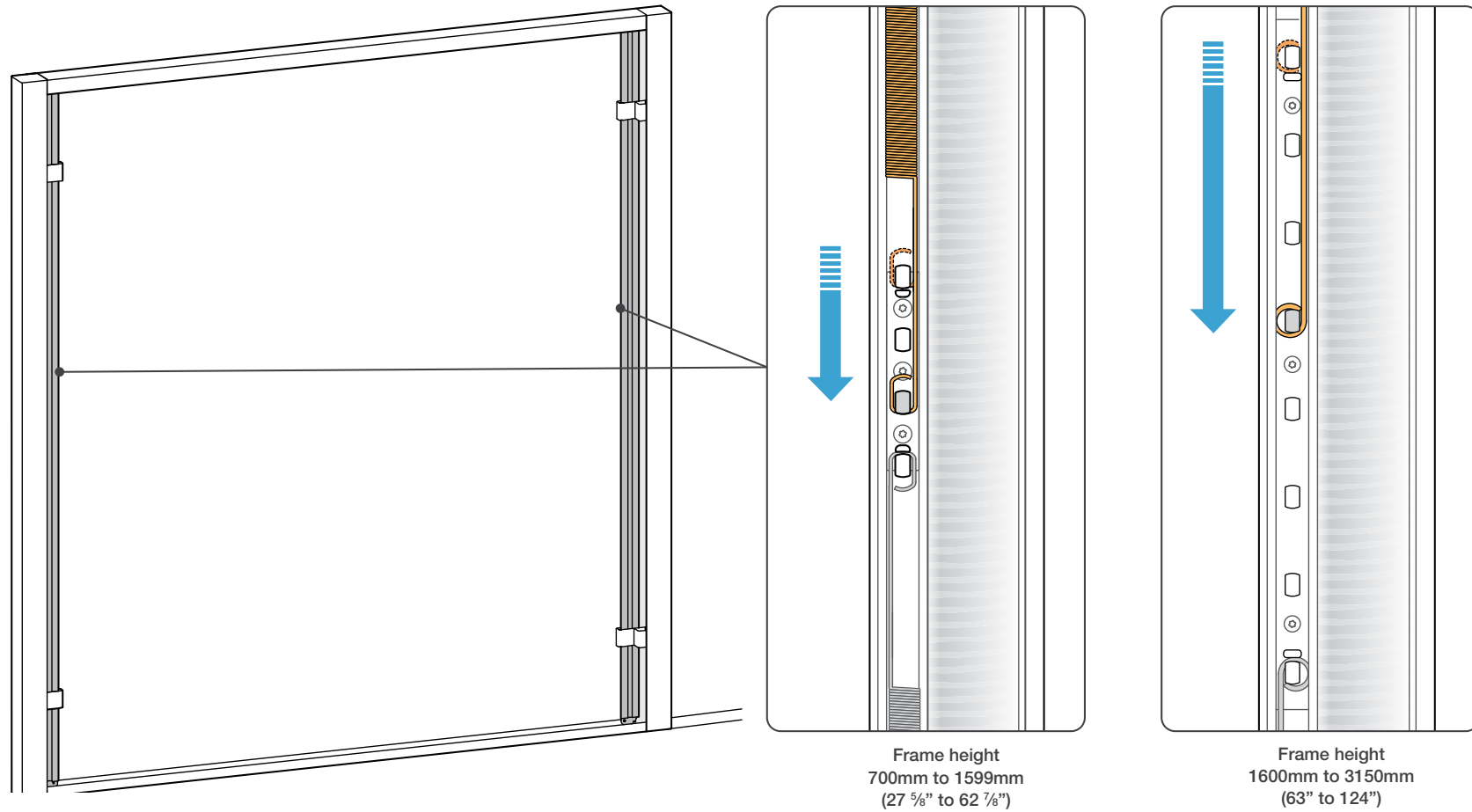


E.

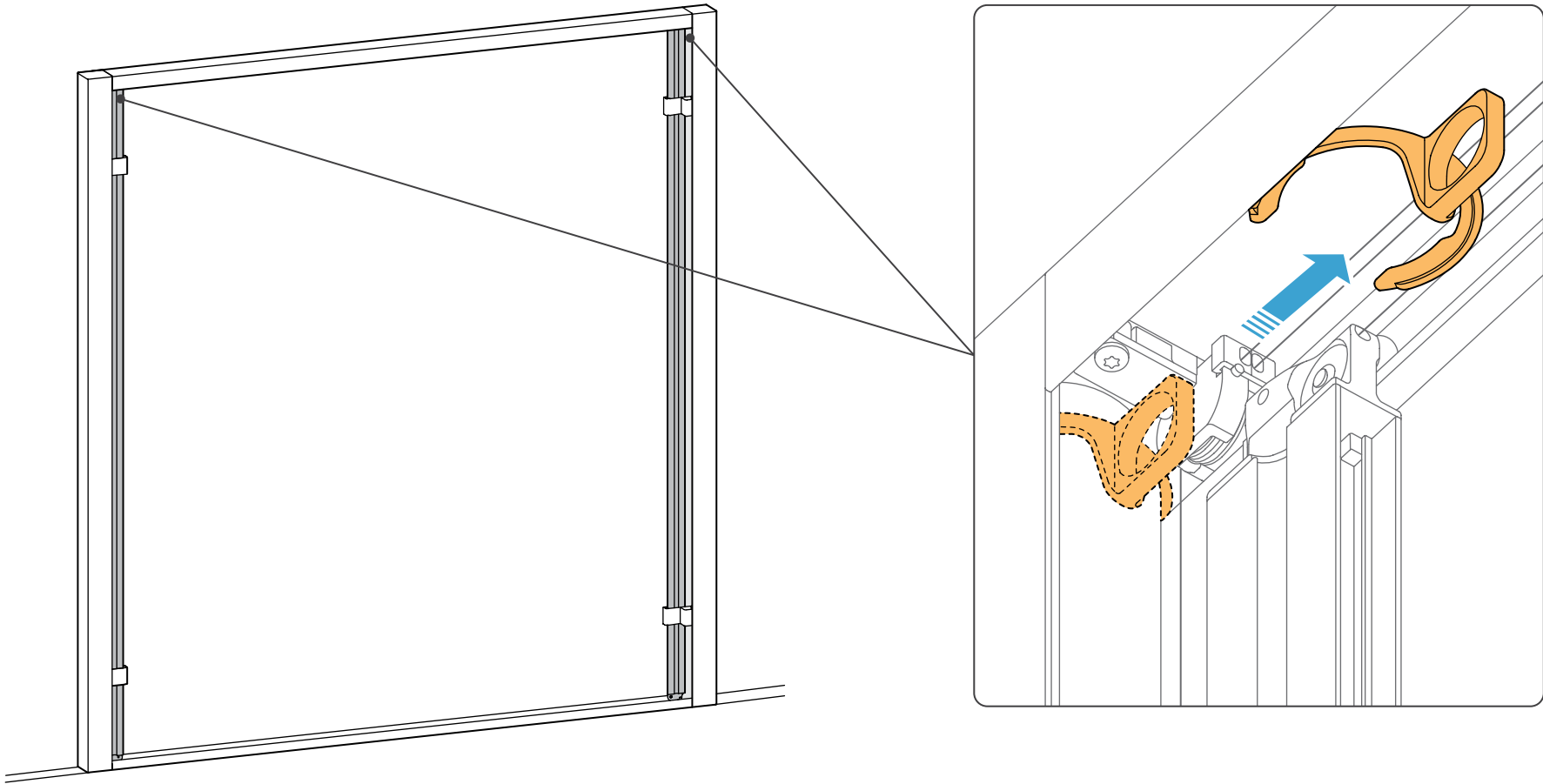


6.0 Tension screens

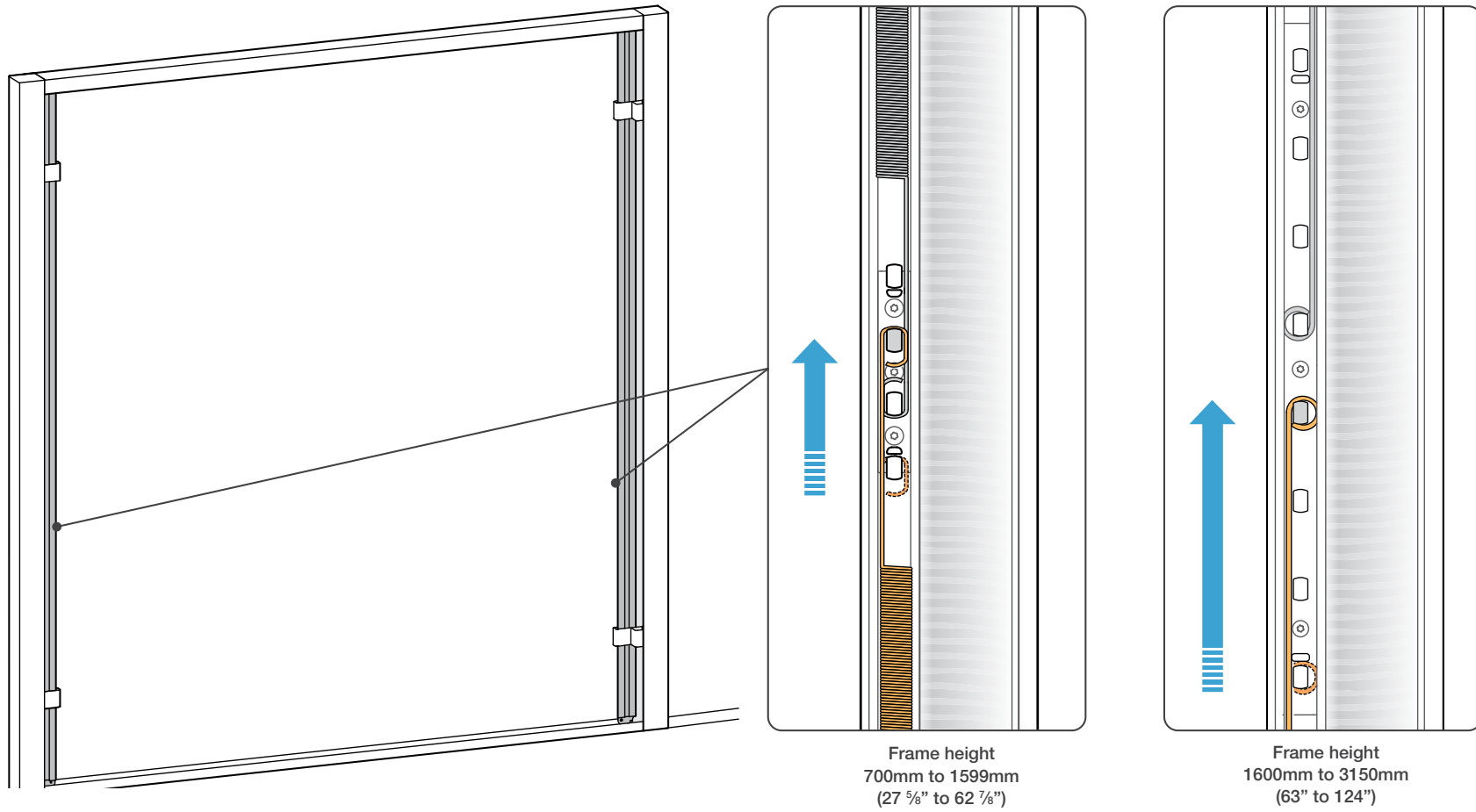
A.



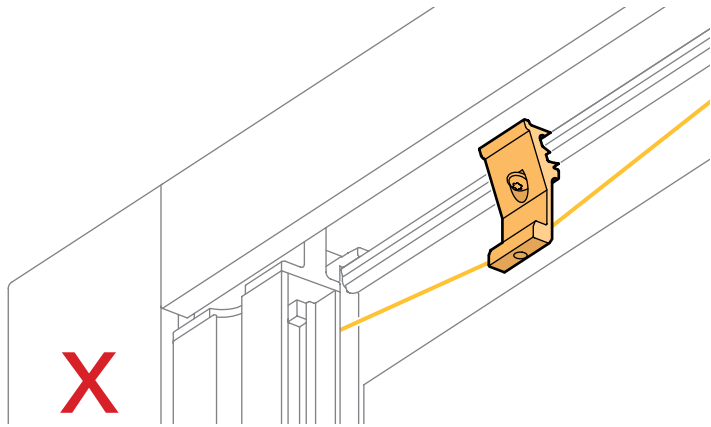
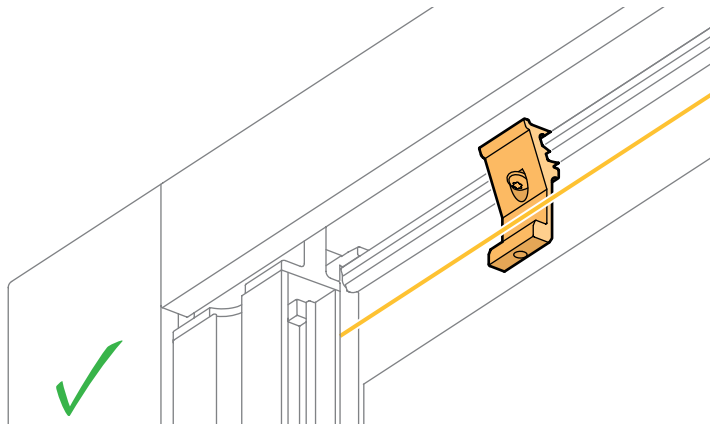
B.



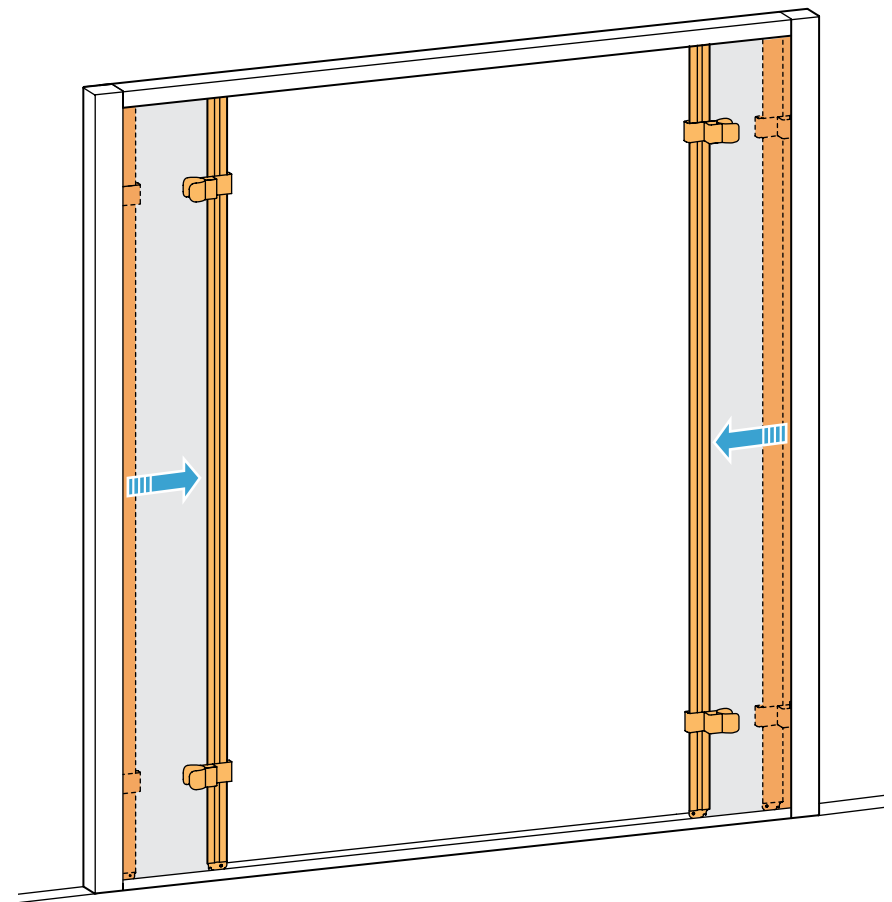
C.



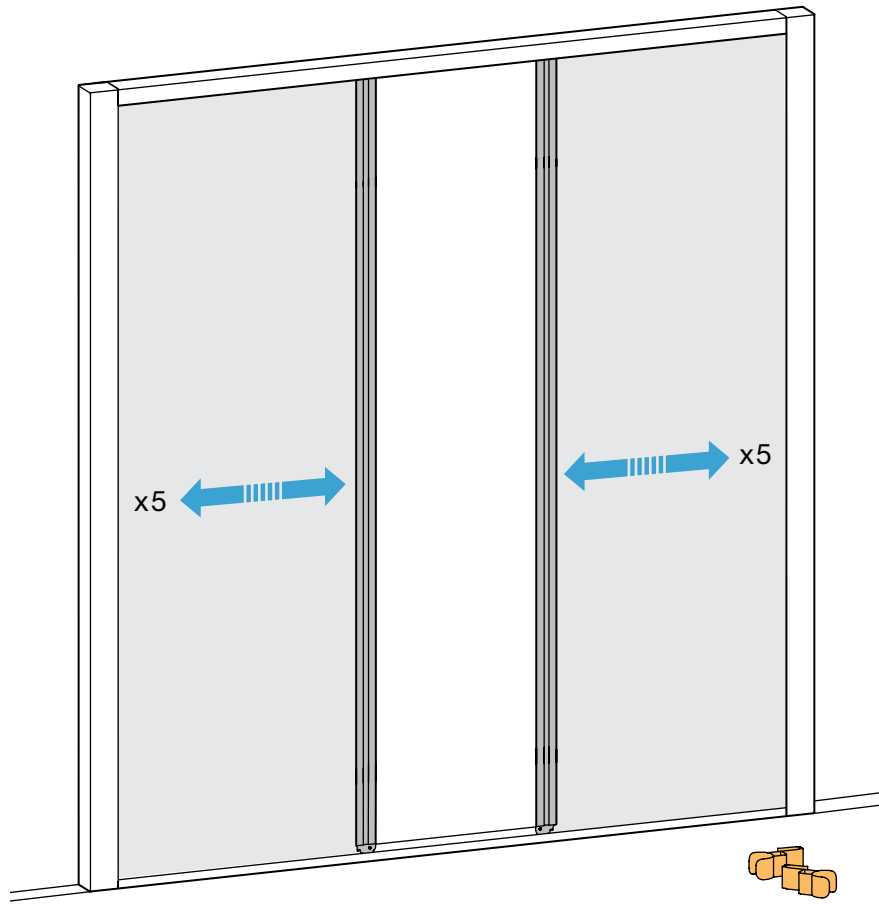
D.



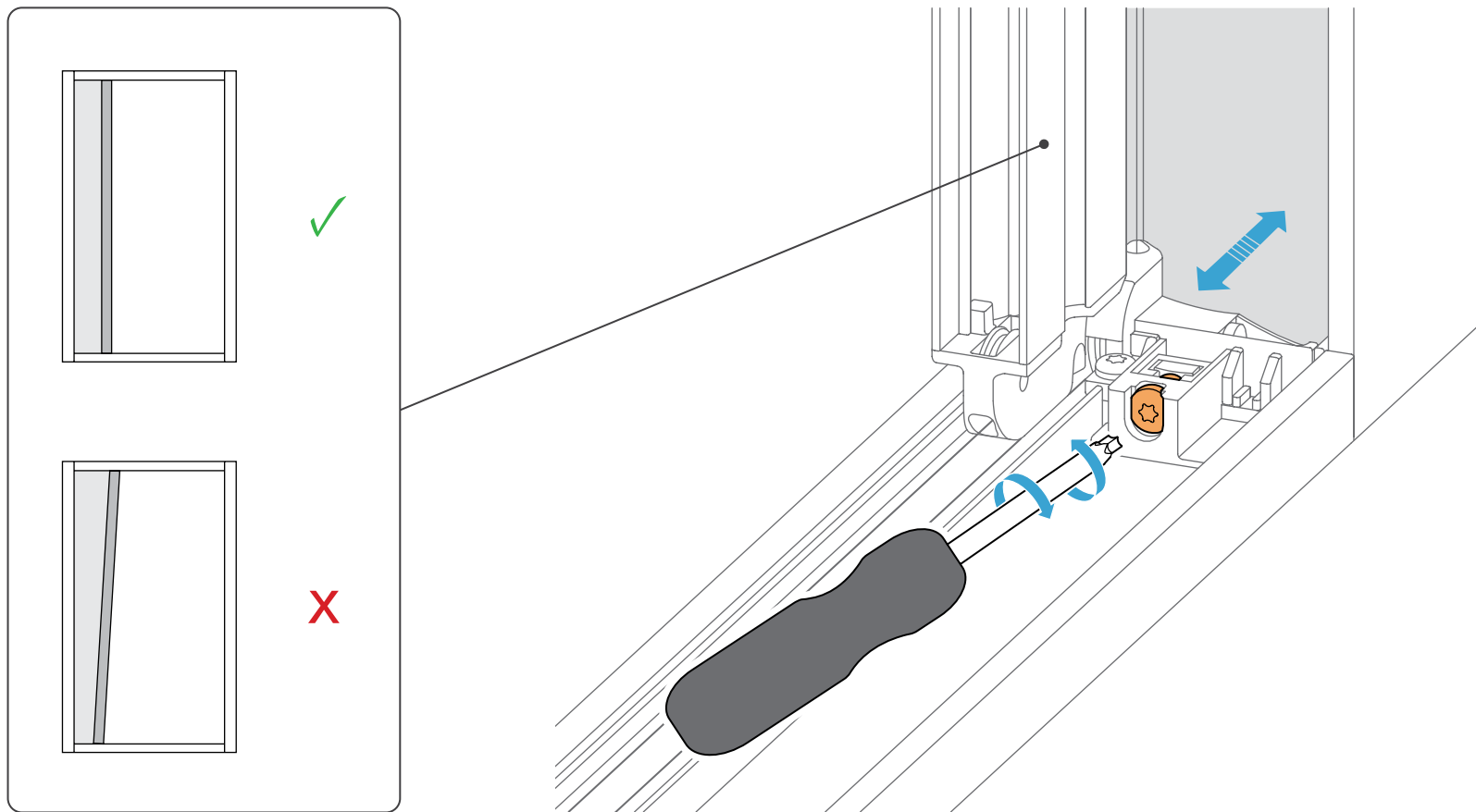
E.



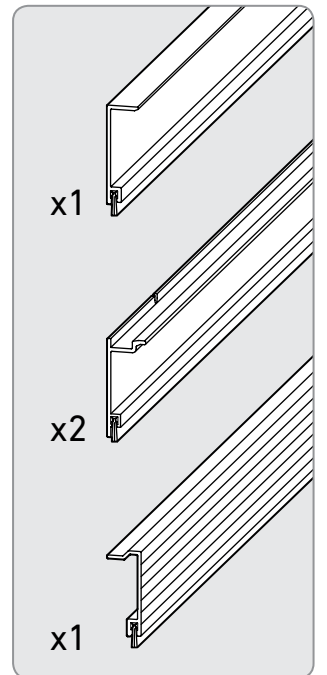
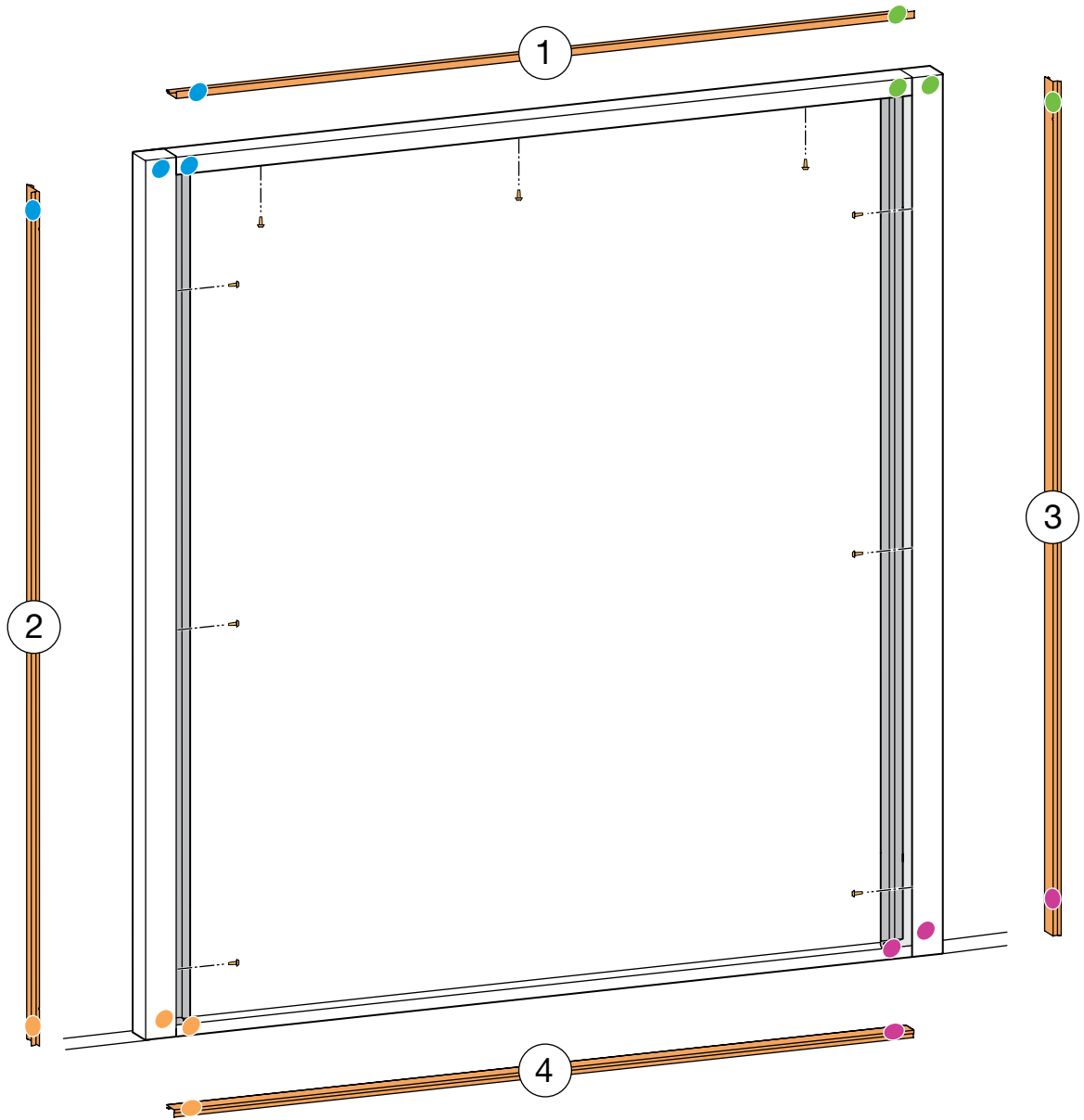
F.



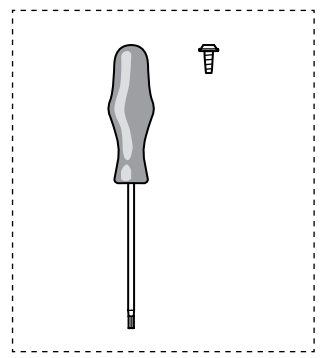
7.0 Adjust if required



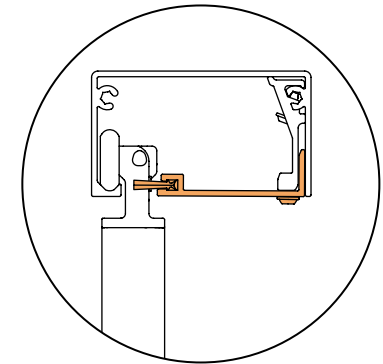
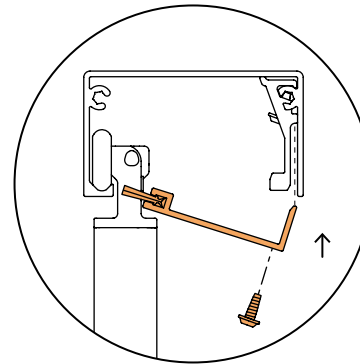
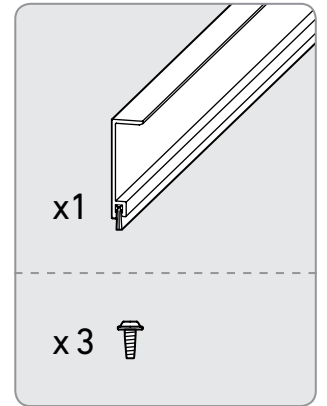
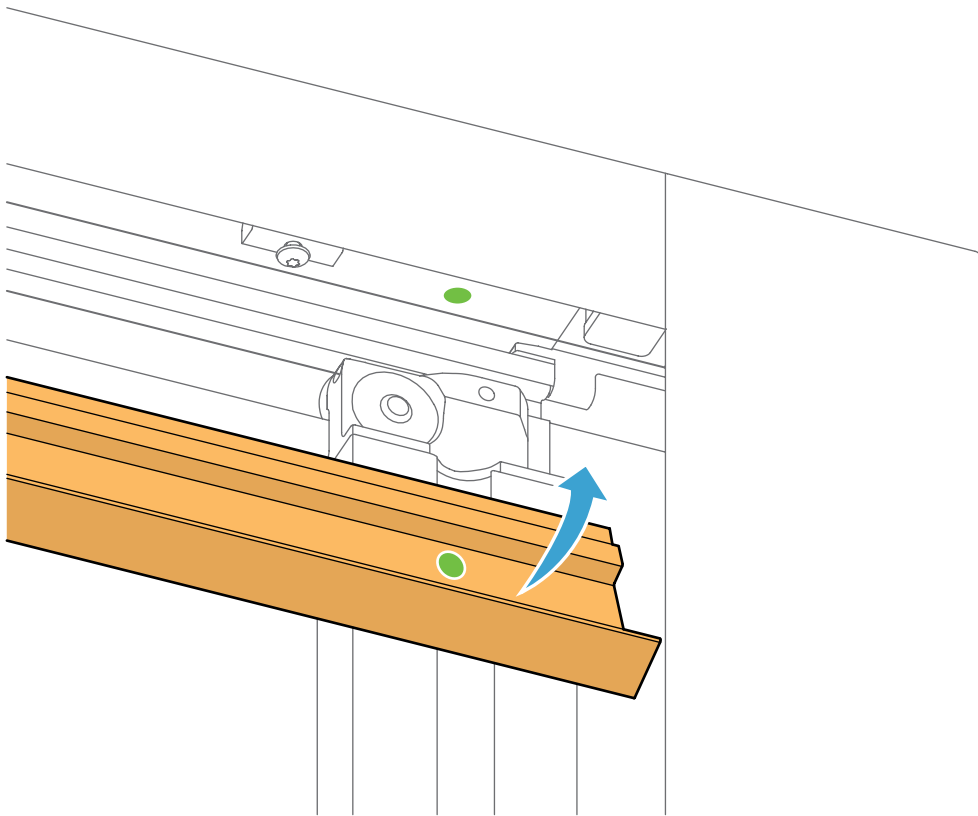
8.0 Install covers



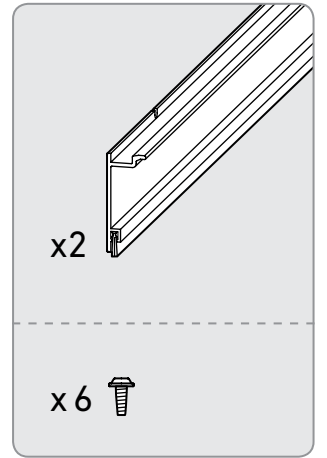
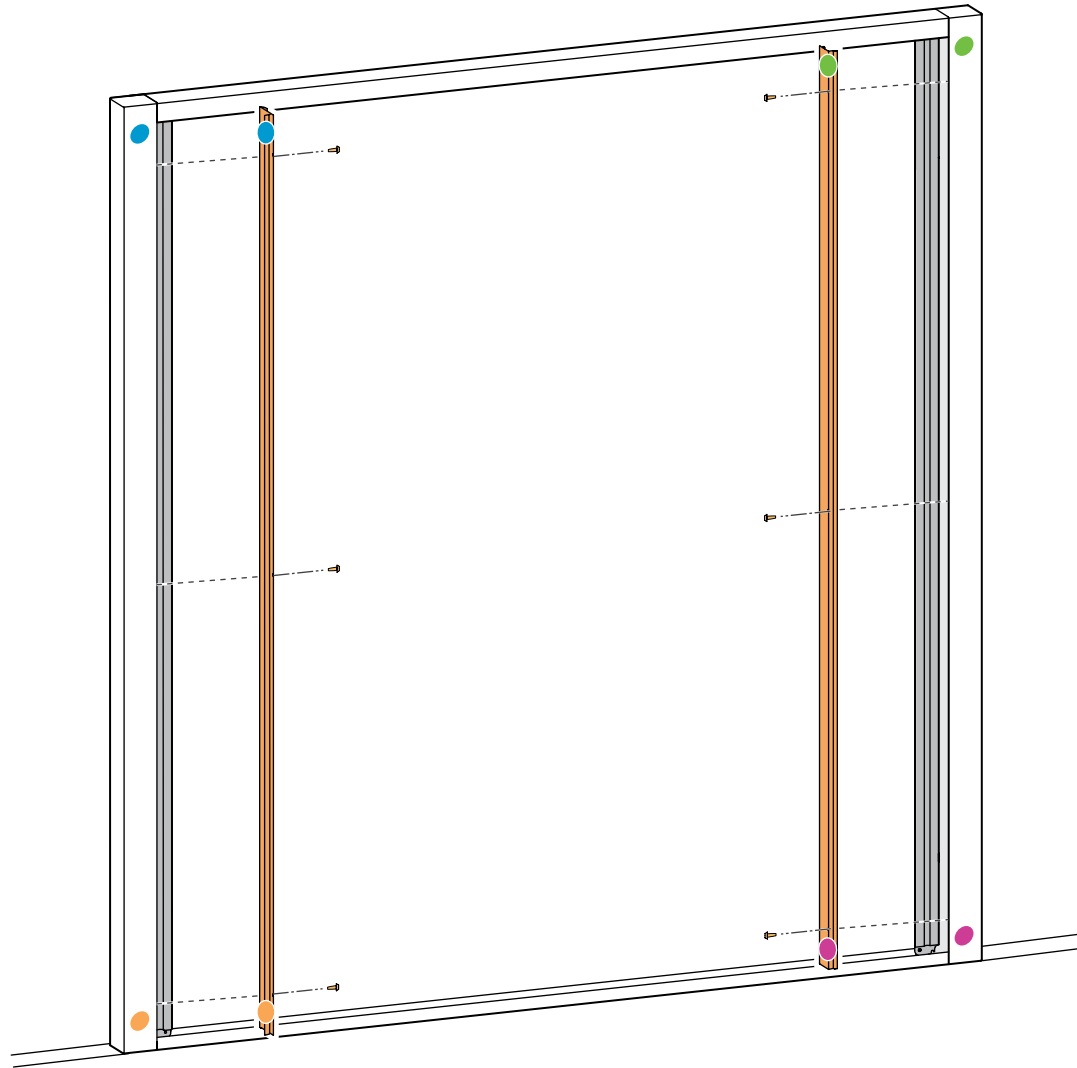
+



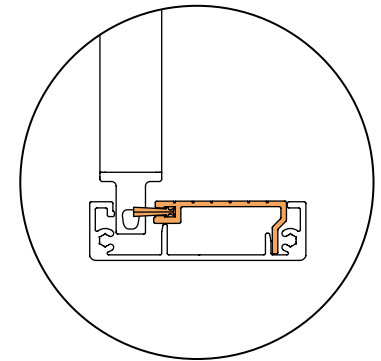
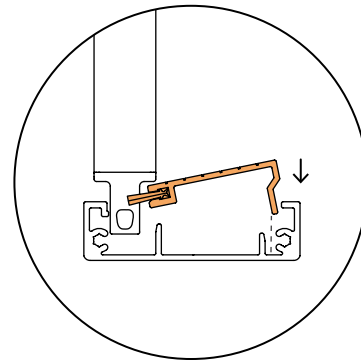
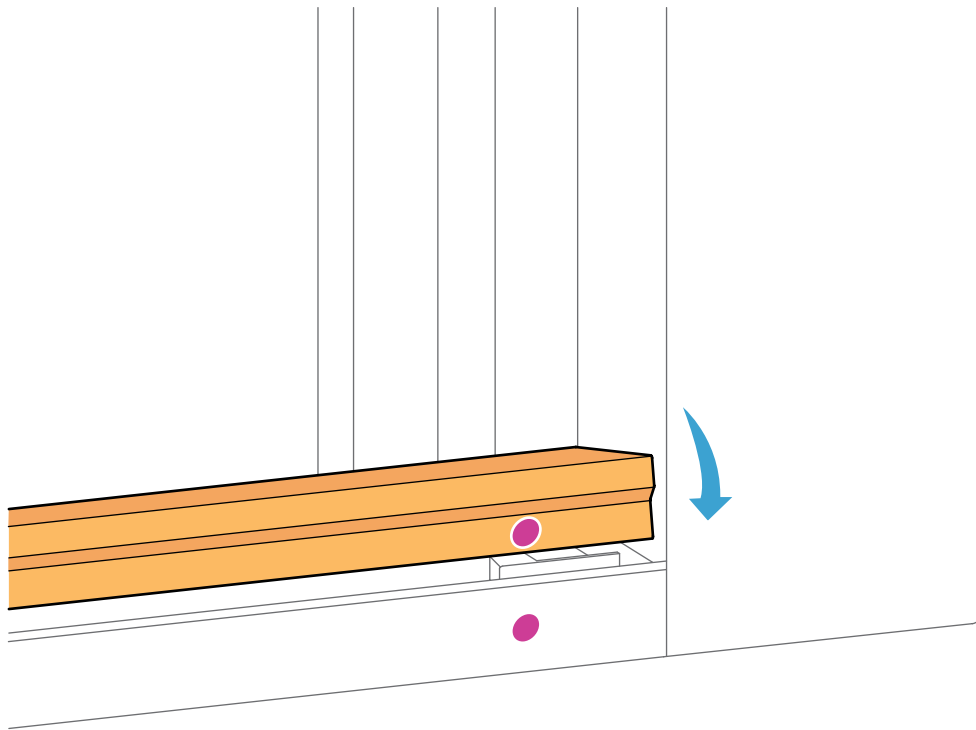
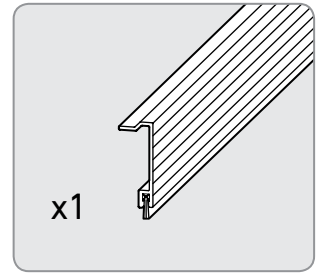
8.1



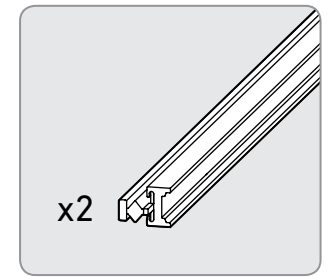
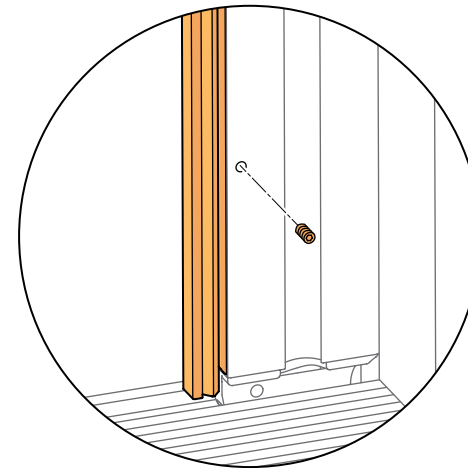
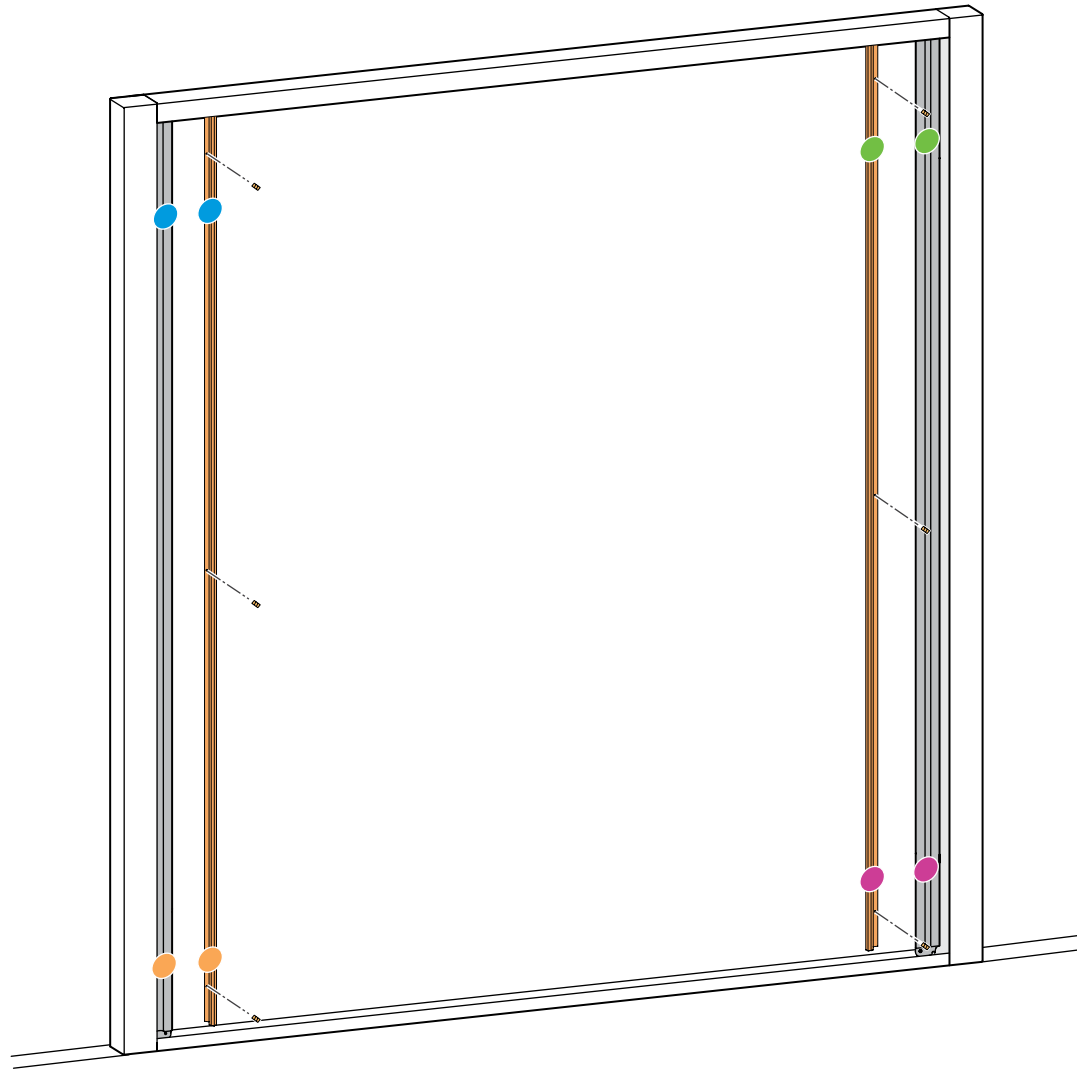
8.2



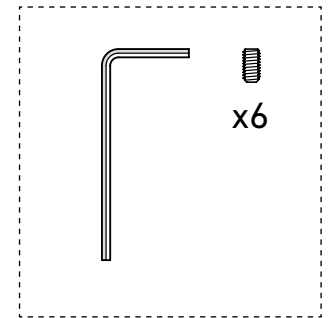
8.3



9.0 Install screen stile cover



+



Notes

Centor Australia
+61 7 3868 5777
mail.au@centor.com

Centor Europe
+44 (0) 121 701 2500
mail.uk@centor.com

Centor North America
+1 630-957-1000
mail.us@centor.com

centorhardware.com

centor®