

TwinPoint Gen2
HOLLOW PANELS



Folding door lock with internal and external access

centor®

Download options

Centor's brochures, technical documents and drawings can be downloaded from:

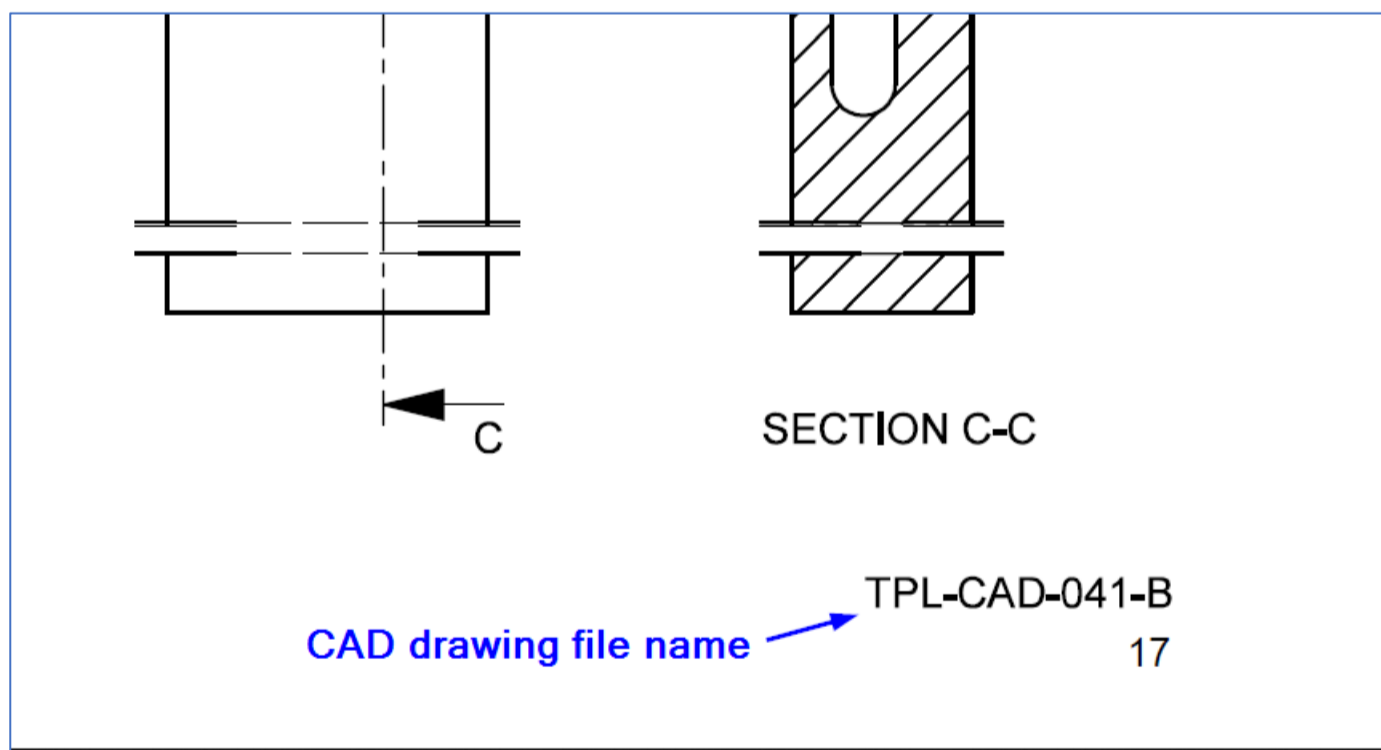
1. Bottom of the TwinPoint Gen2 website page
2. Professional section of Centor's webpage
3. This web link: [English](#) | [French](#) | [German](#) | [Greek](#) | [Italian](#) | [Polish](#) | [Spanish](#)

Downloads	
TwinPoint Gen2 Brochure	pdf
TwinPoint Gen2 Hollow Panels technical document	pdf
TwinPoint Gen2 Wood Panels technical document	pdf
TwinPoint Gen2 Drawings (dwg)	zip
TwinPoint Gen2 Drawings (dxf)	zip

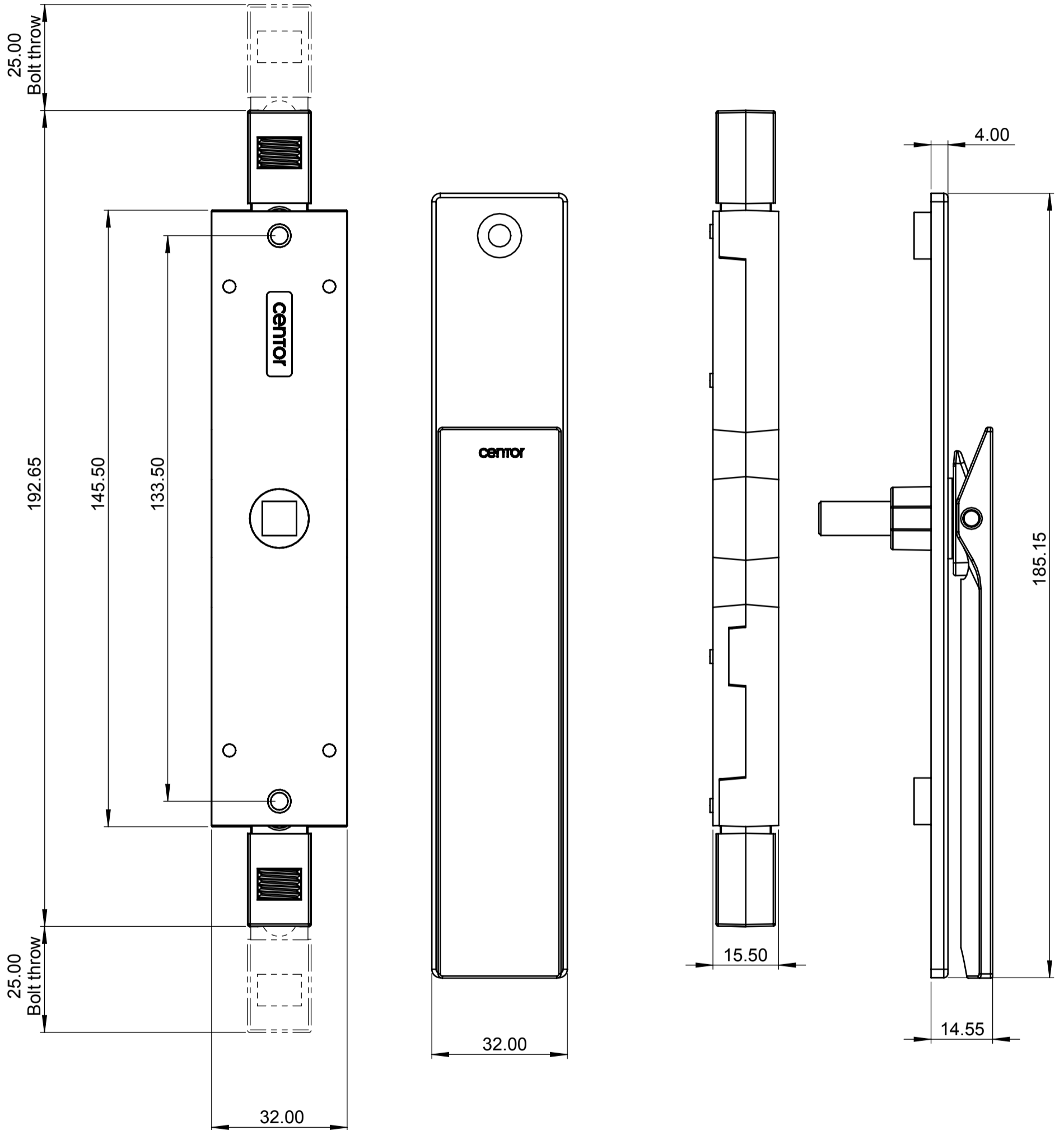
2D CAD drawing download

The drawings download provides a folder that contains all the drawings.

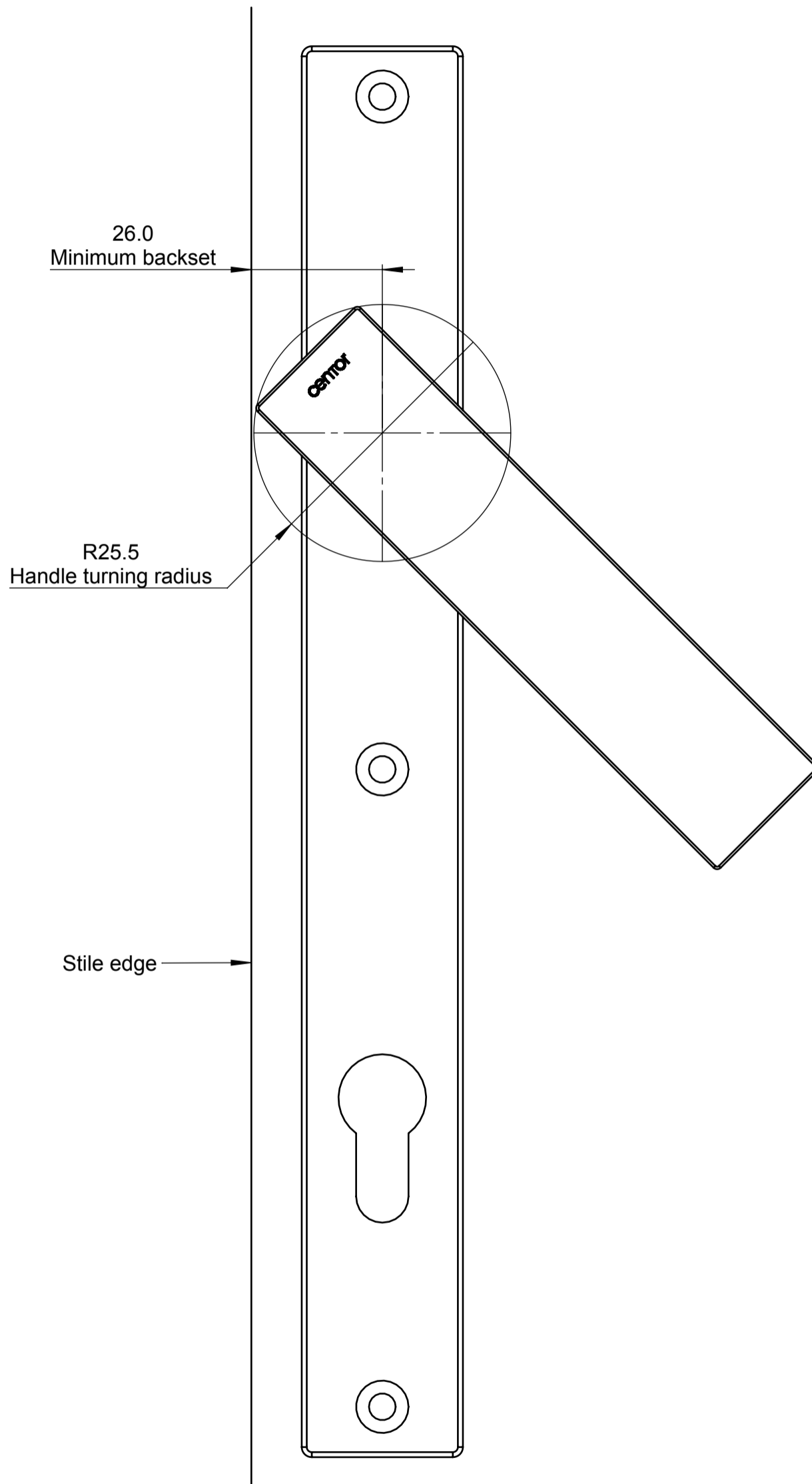
1. There are two folders. One for dwg and one for dxf.
2. Use the technical documents as an index to select the appropriate drawing. The drawing file name is printed at the bottom right corner of the page.



SINGLE HANDLE NON-KEYED



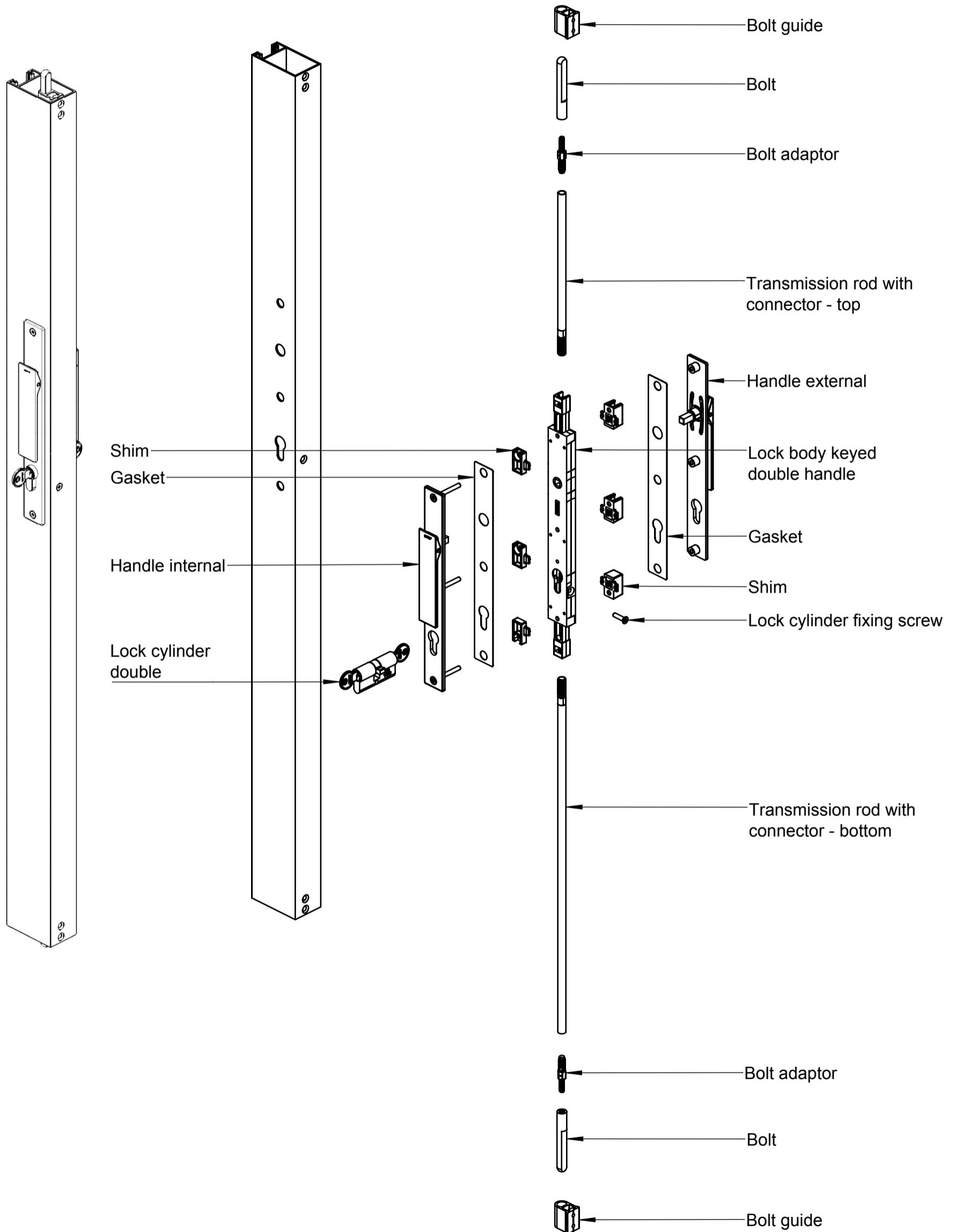
HANDLE BACKSET DETAIL



Notes:
Keyed handle shown. Same requirements apply to non-keyed version.

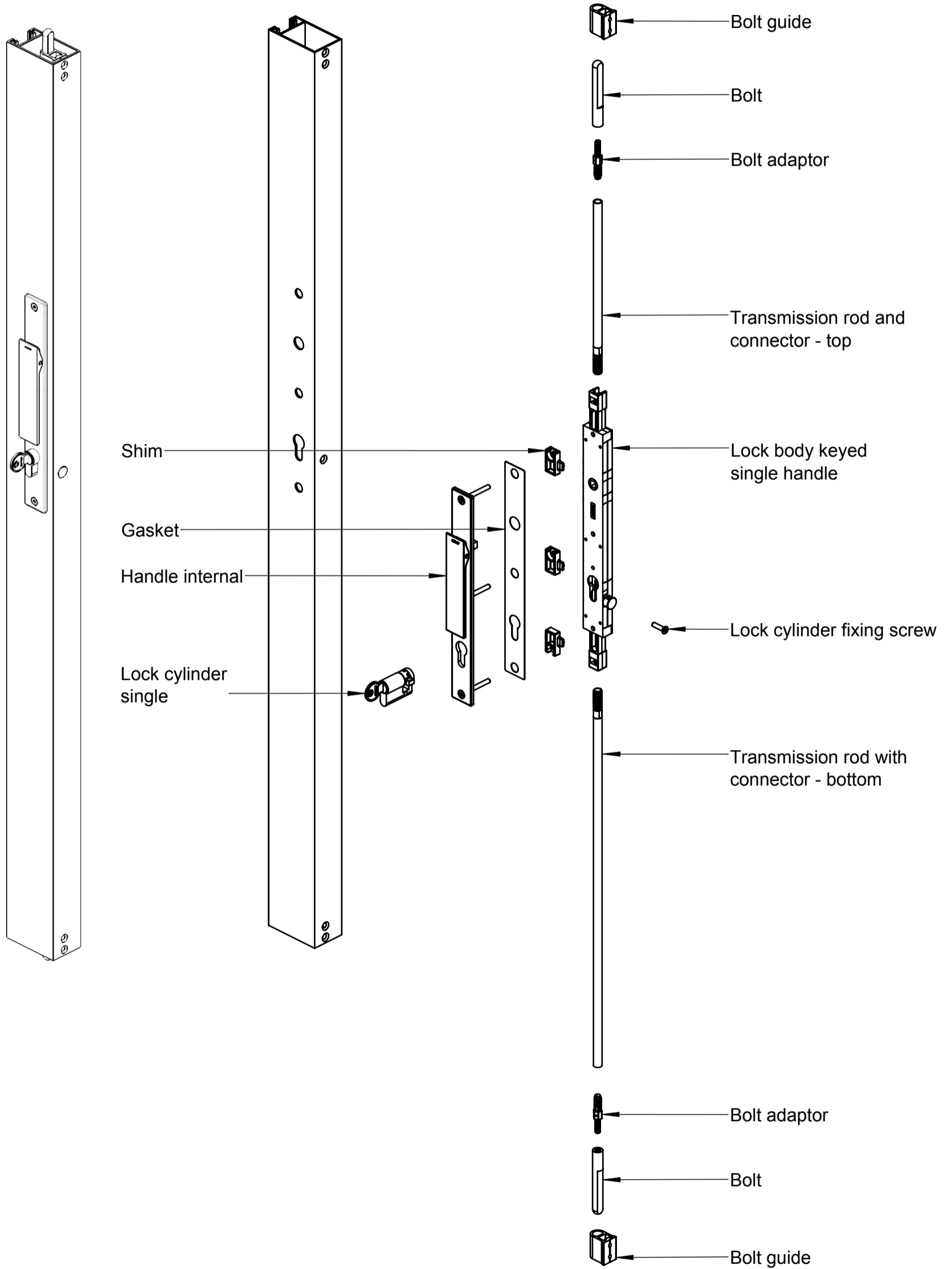
PRODUCT DETAIL

Hollow panel with TwinPoint Gen2 double handle keyed



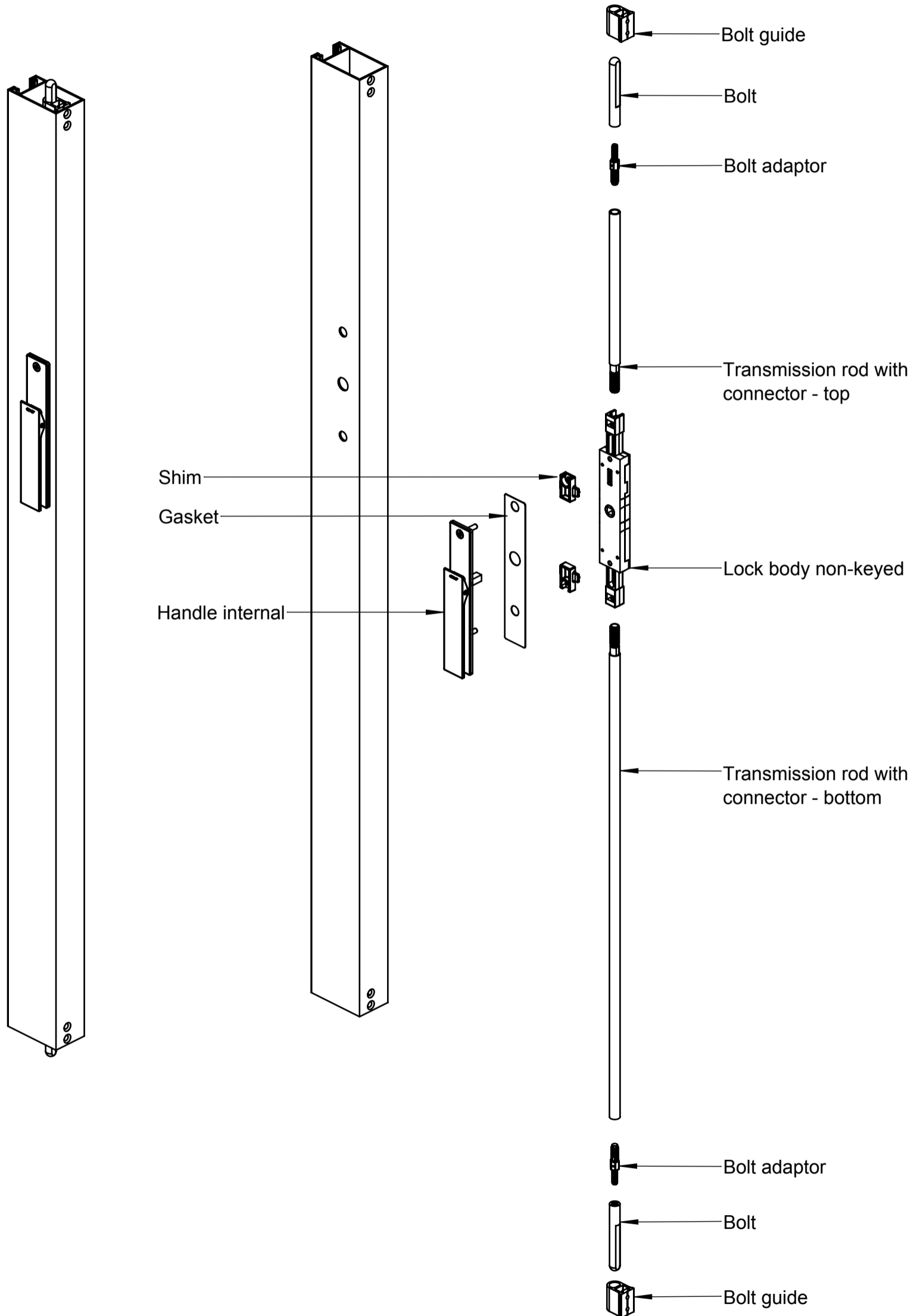
PRODUCT DETAIL

Hollow panels with TwinPoint Gen2 single handle keyed

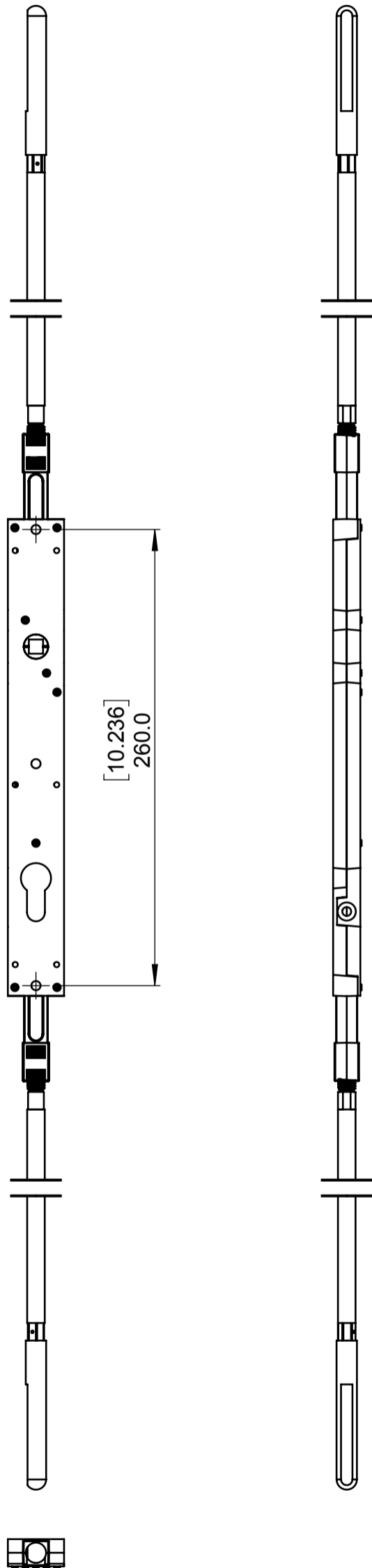


PRODUCT DETAIL

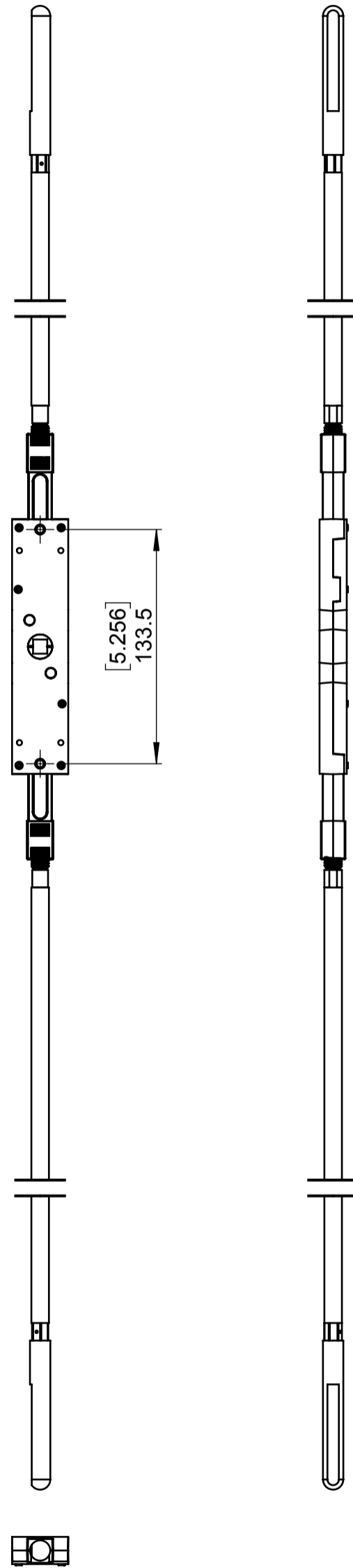
Hollow panels with TwinPoint Gen2 single handle non-keyed



Keyed



Non-keyed



Notes:
Lock shown in extended state.

TRANSMISSION ROD LENGTH FORMULA

Non-keyed lock

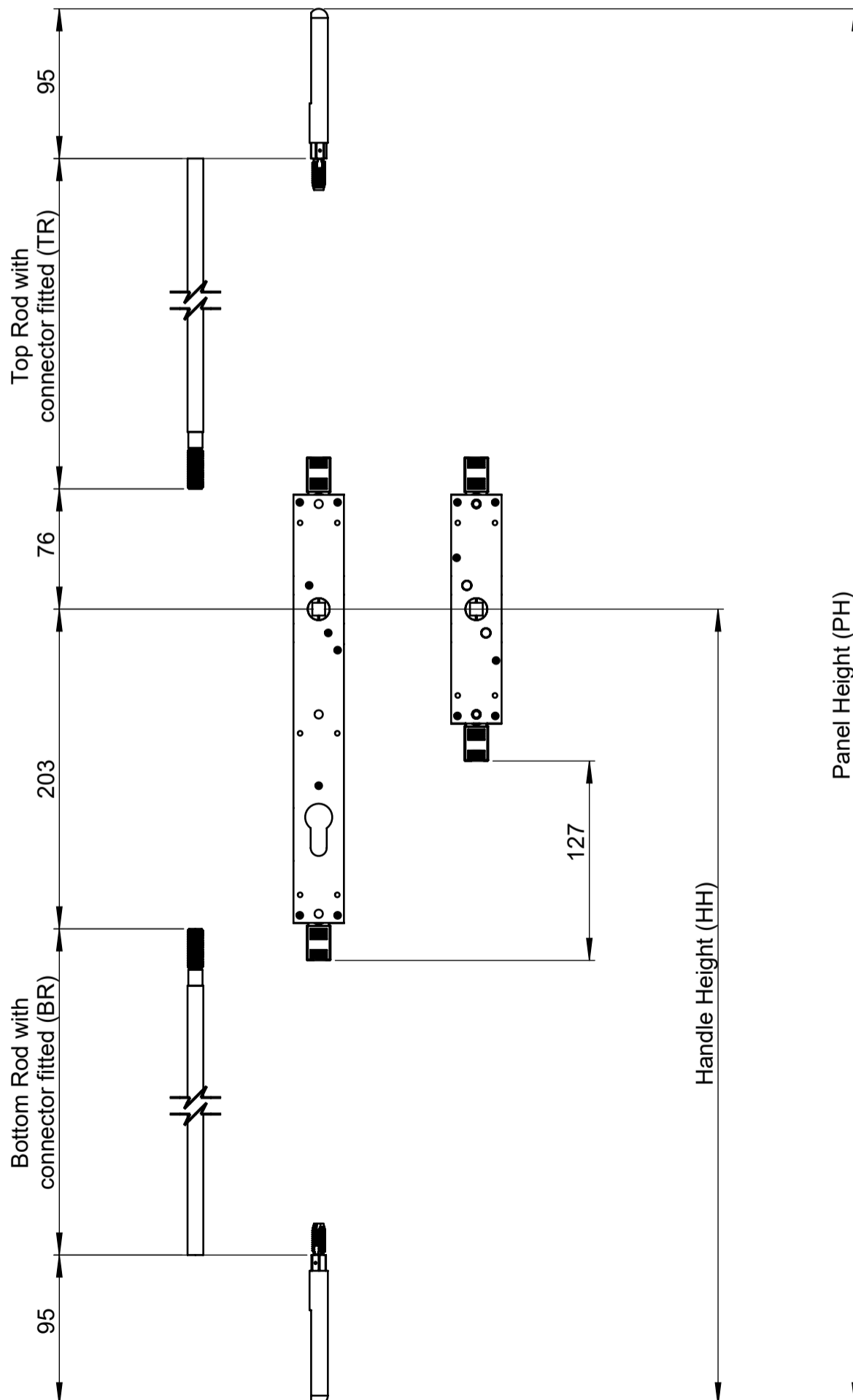
Transmission rod with connector fitted	Top	$TR = PH - HH - 176$
	Bottom	$BR = HH - 176$
Handle height	Maximum	1100
Panel height	Minimum	508

Keyed lock

Transmission rod with connector fitted	Top	$TR = PH - HH - 176$
	Bottom	$BR = HH - 303$
Handle height	Maximum	1227
Panel height	Minimum	635

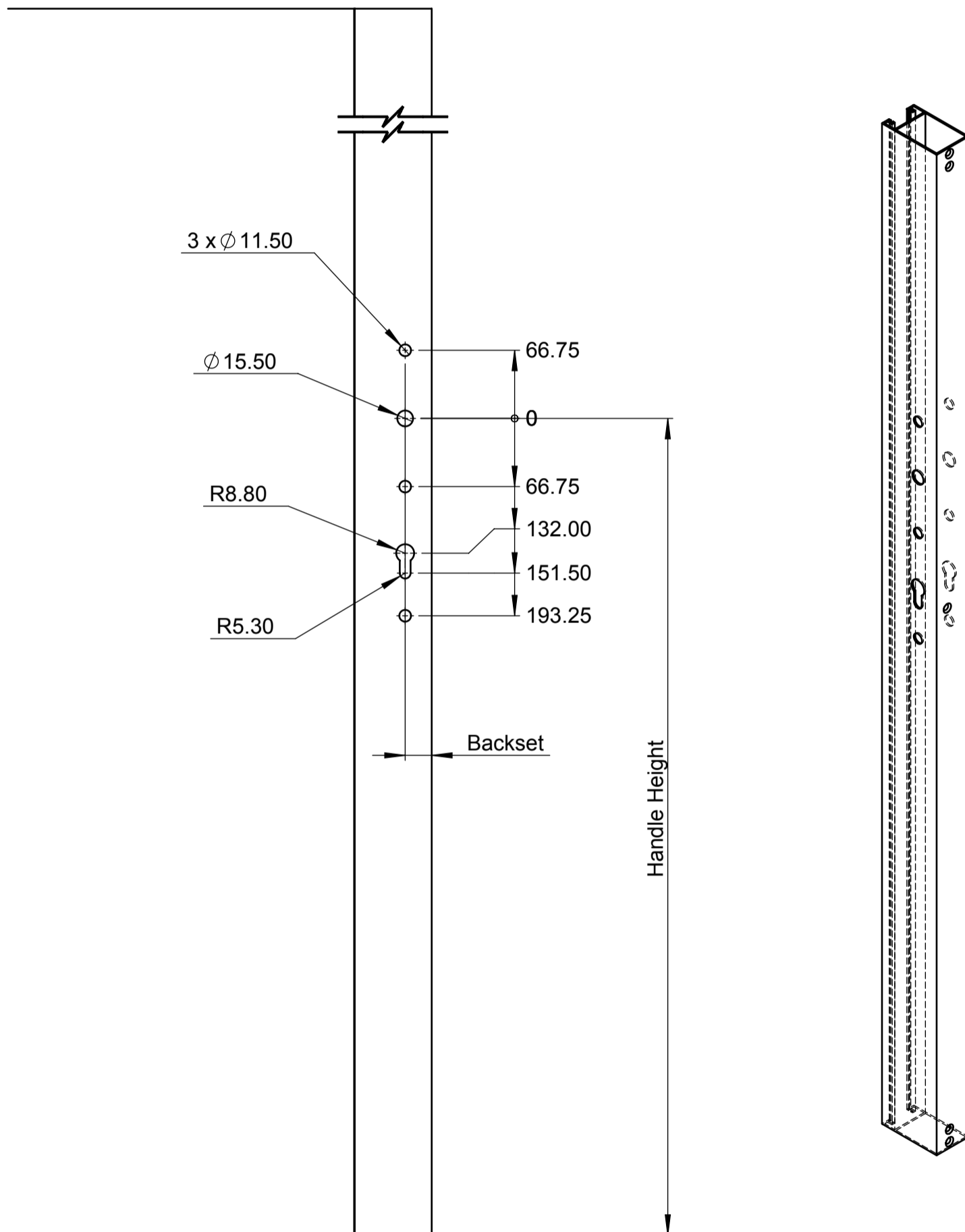
Notes:

All dimensions in mm.



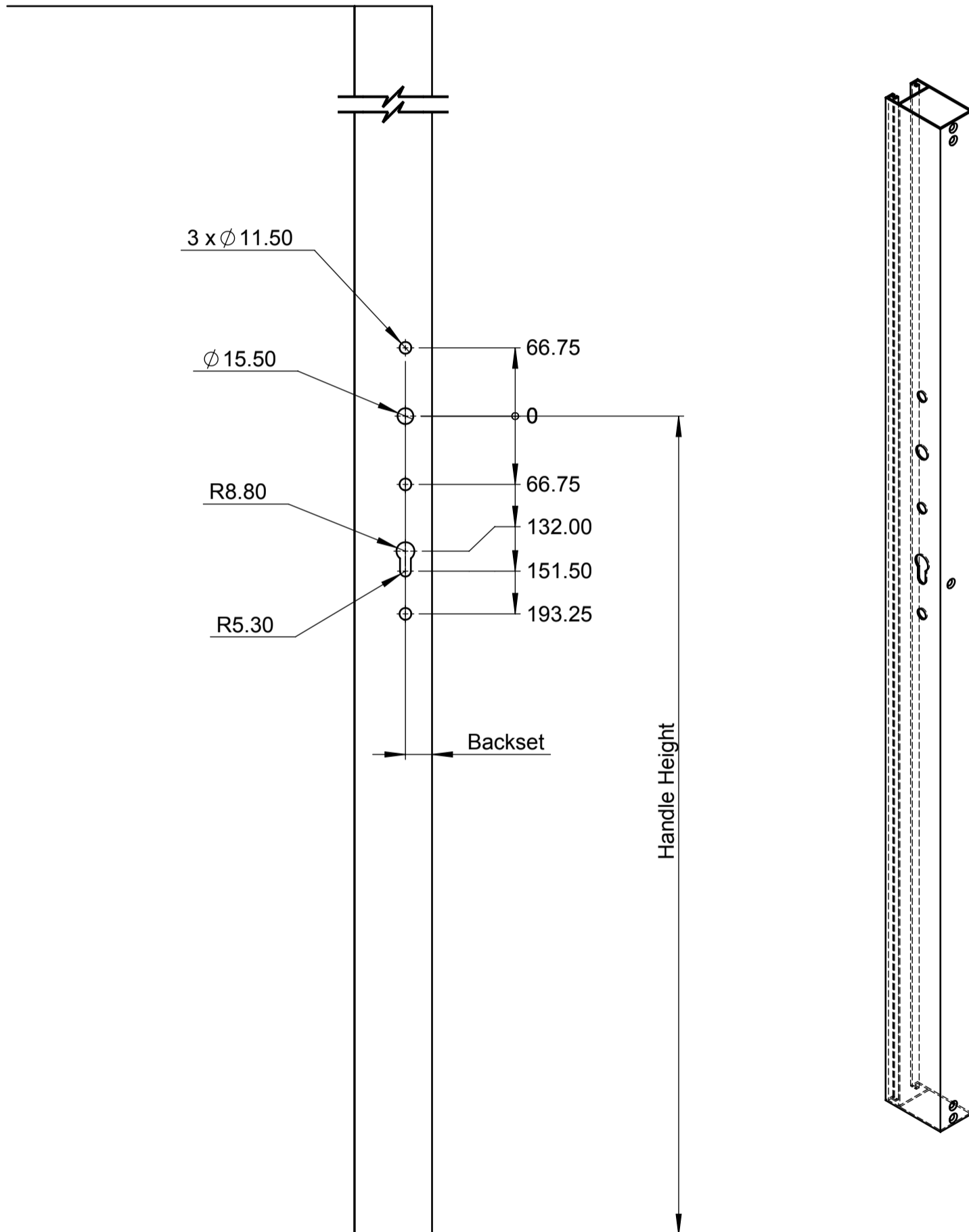
ROUTING DETAIL

Hollow panels with TwinPoint Gen2 double handle keyed



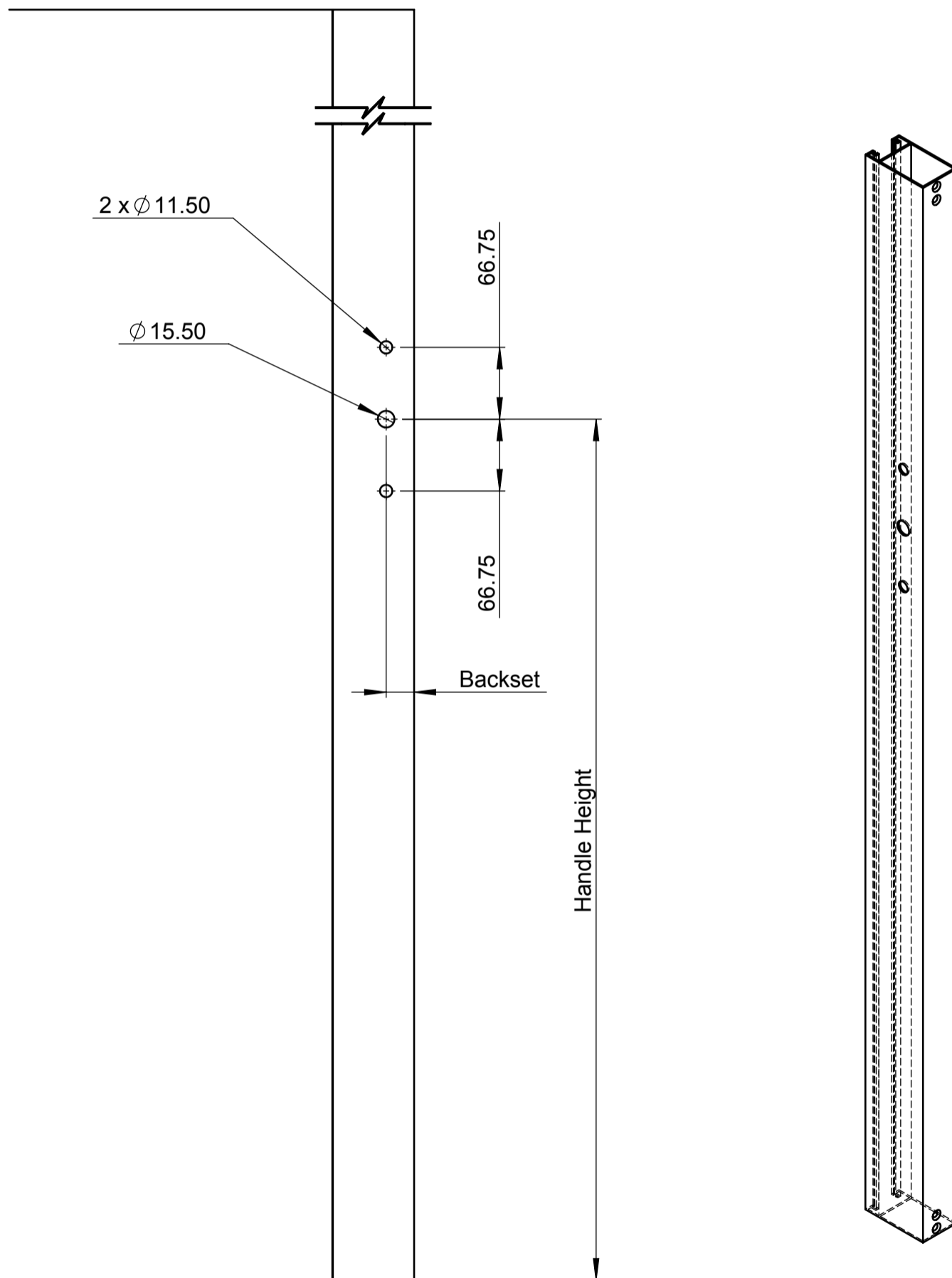
ROUTING DETAIL

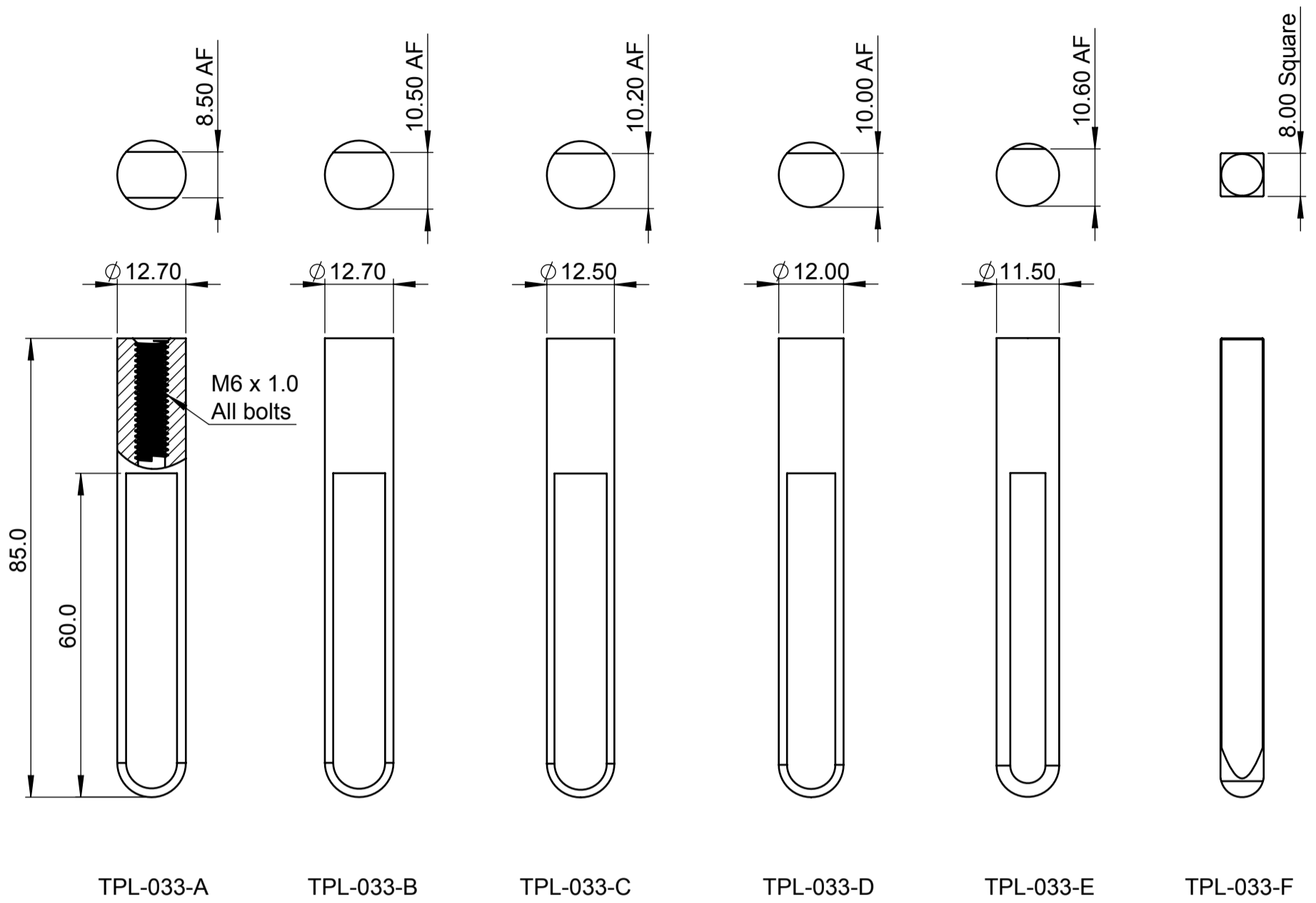
Hollow panels with TwinPoint Gen2 single handle keyed



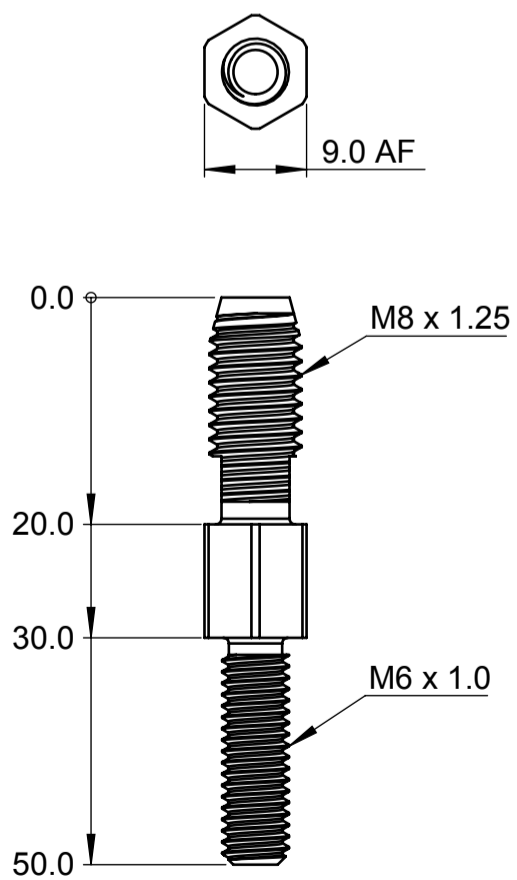
ROUTING DETAIL

Hollow panels with TwinPoint Gen2 single handle non-keyed

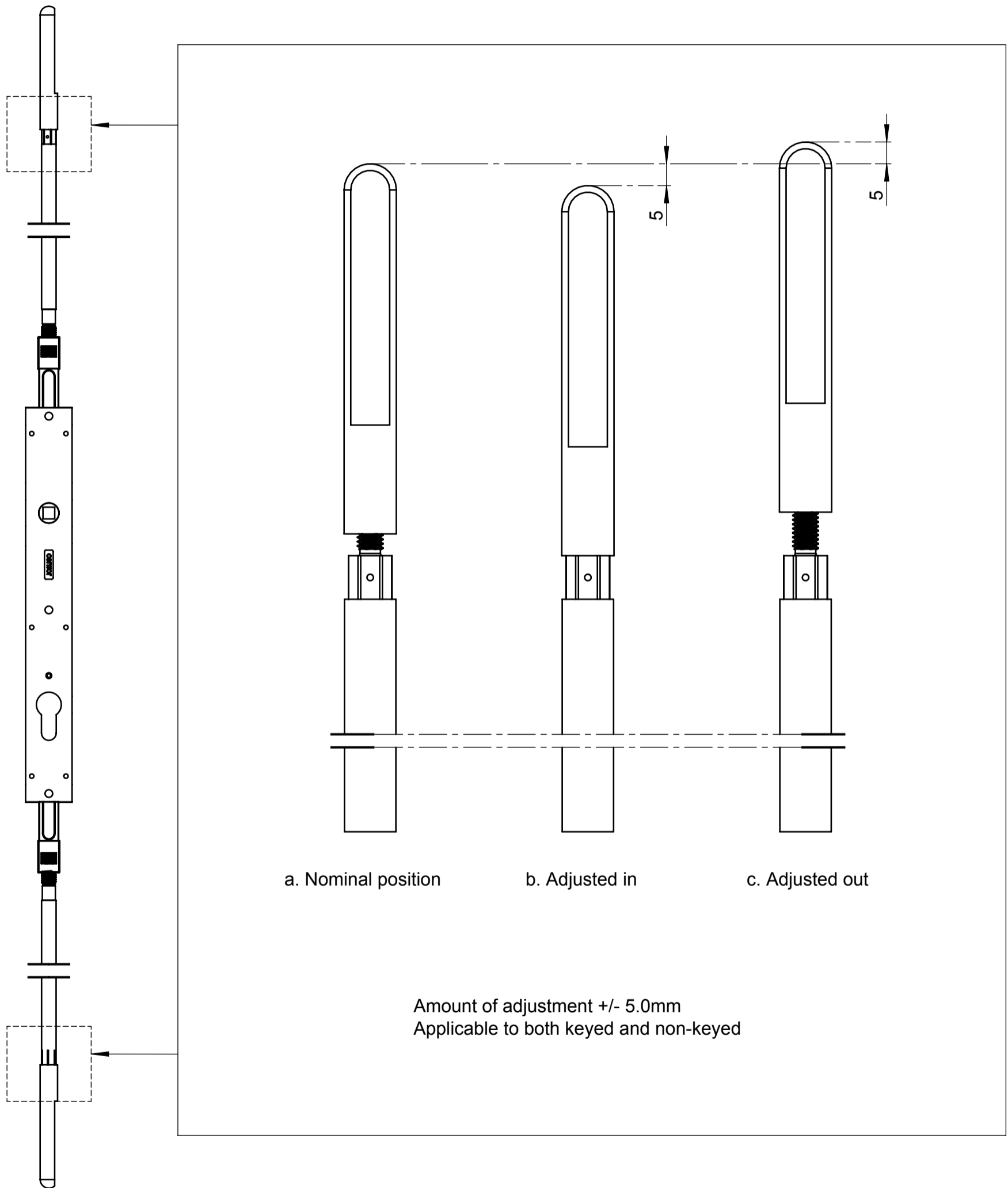




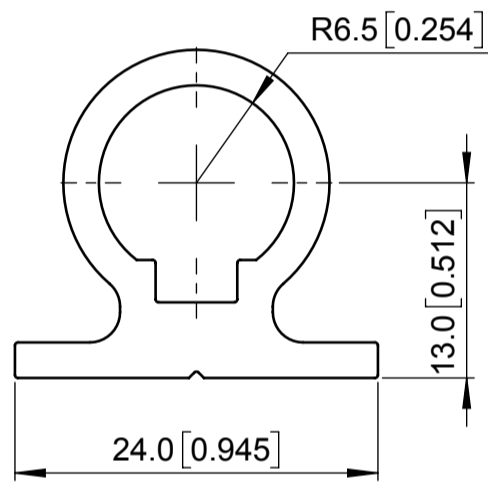
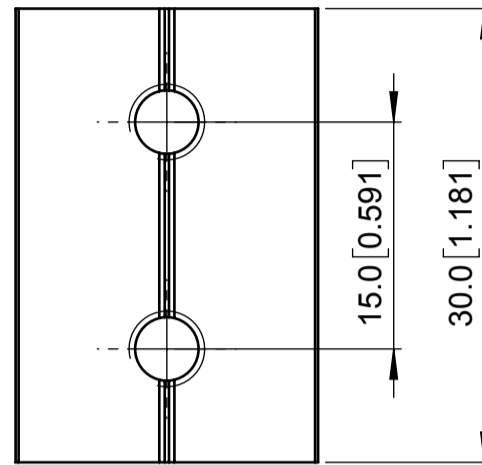
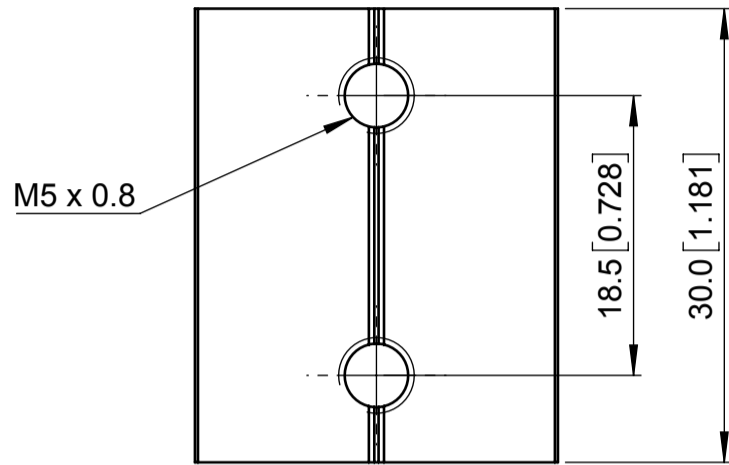
The bolt adaptor (supplied with any bolt)



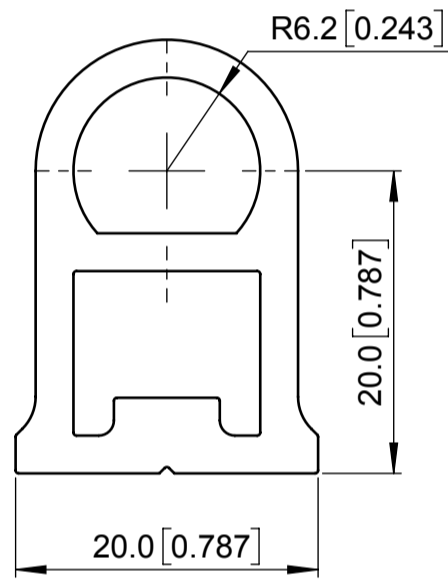
BOLT ADJUSTMENT DETAIL



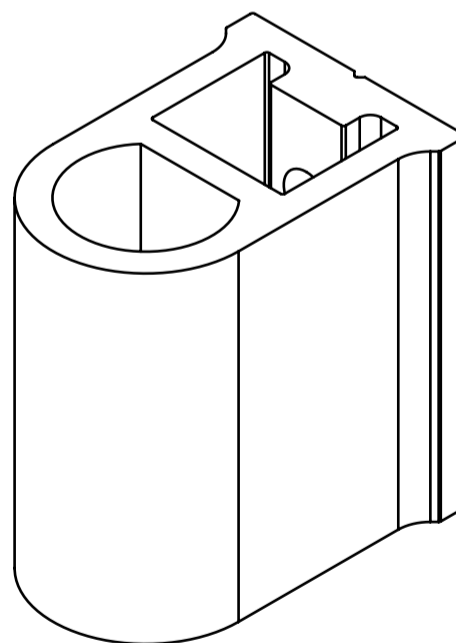
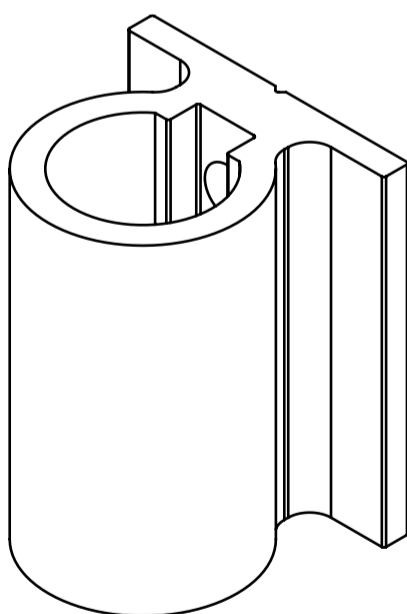
BOLT GUIDE DETAILS



TPL-034

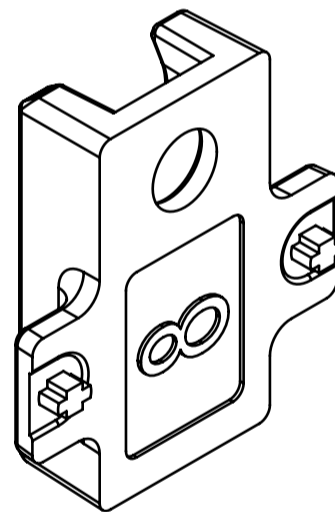
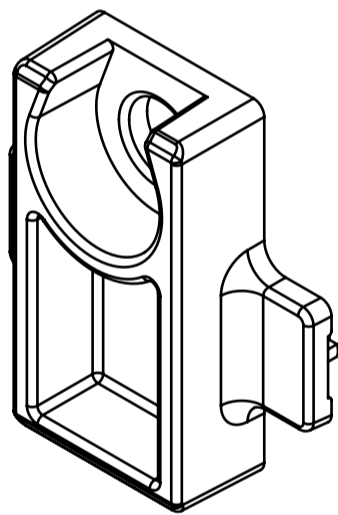
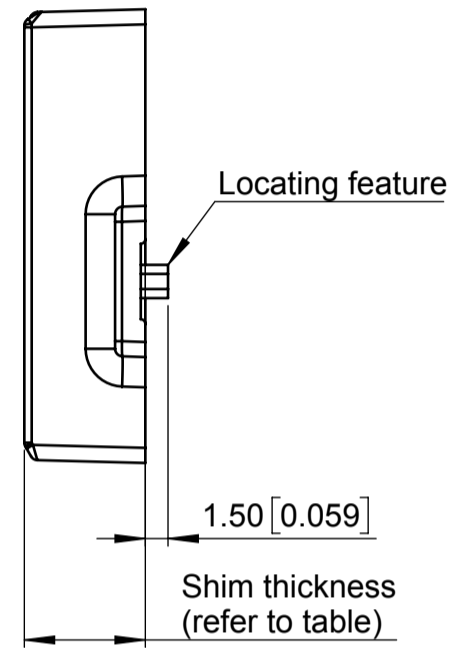
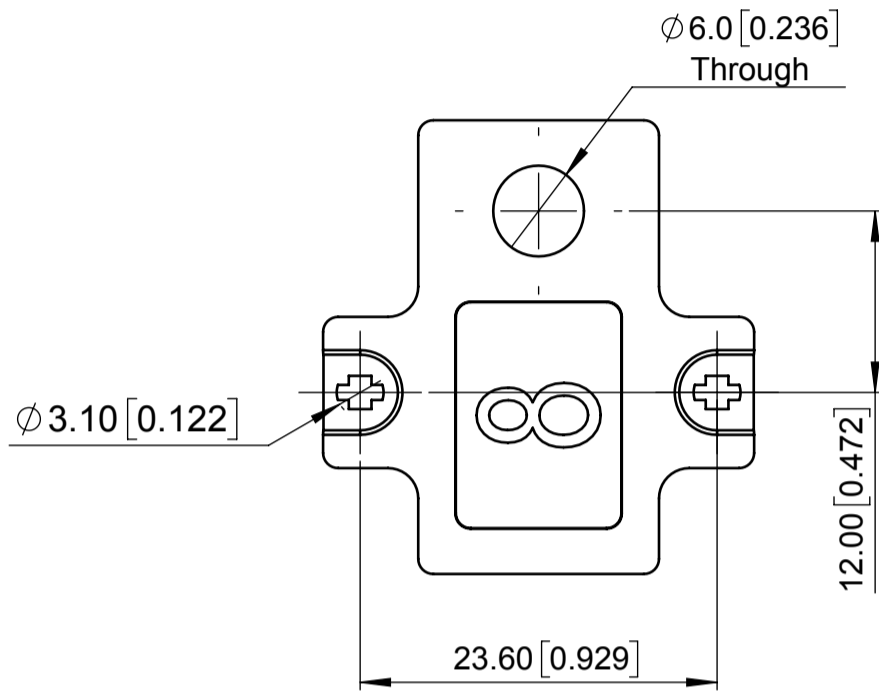


TPL-035



TwinPoint Gen2
SHIM DETAIL

Shim thickness
5mm [0.197"]
8mm [0.315"]
16mm [0.630"]

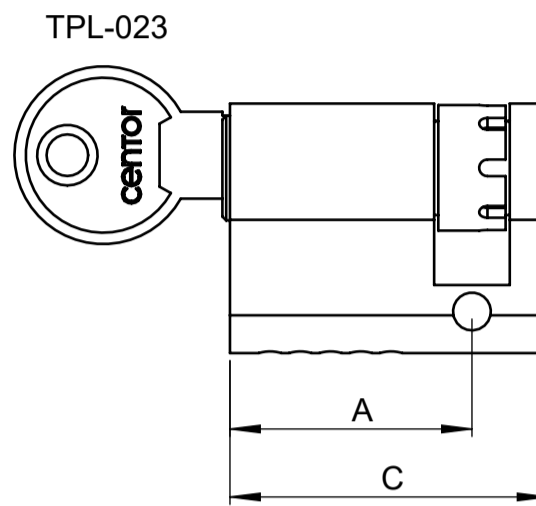
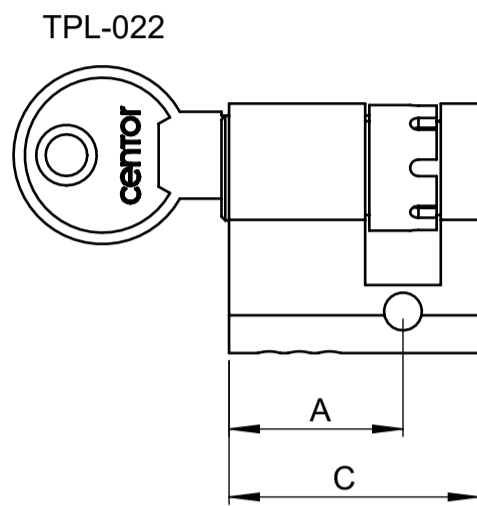


Notes:
 8mm [0.315"] shim shown.

LOCK CYLINDER DETAIL

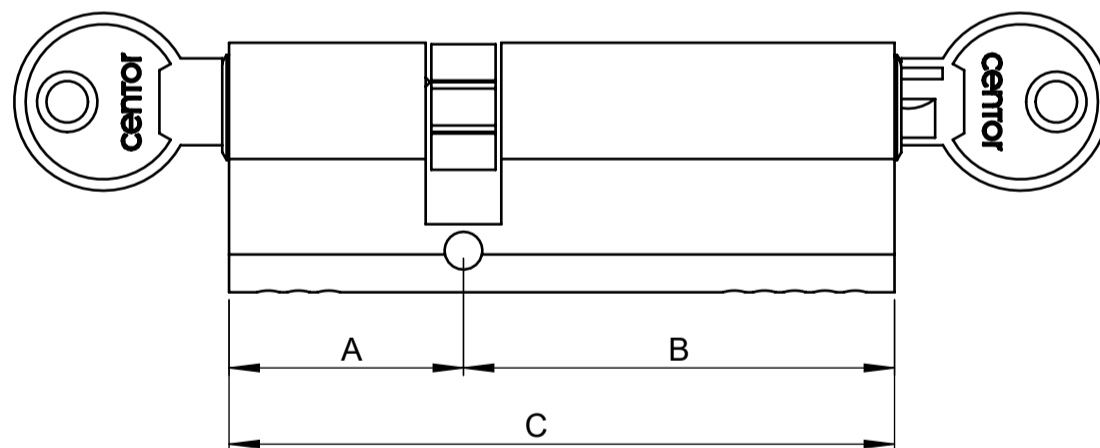
Single cylinder size - C4 keyway

Cylinder type	Dimension (mm)	
	A	C
TPL-022	23	33
TPL-023	32	42

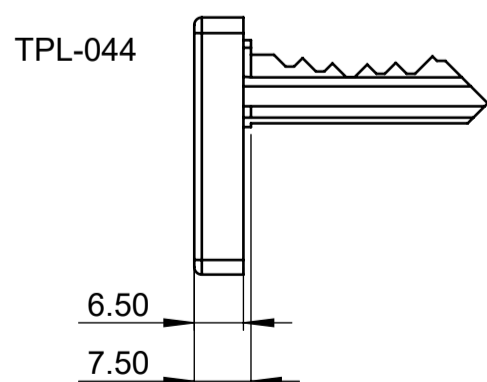


Double cylinder size - 6 pin security

Cylinder type	Dimension (mm)		
	A	B	C
TPL-050-65	30	35	65
TPL-050-70	30	40	70
TPL-050-75	30	45	75
TPL-050-80	30	50	80
TPL-050-85	30	55	85
TPL-050-90	30	60	90
TPL-050-95	30	65	95
TPL-050-100	30	70	100
TPL-050-105	30	75	105



Key with thumb turn - C4 keyway



TPL-044 is a 5-pin key with a low profile thumb turn. It will not hit and dent the opposite stile if it is left in the lock. It can only be used with cylinders TPL-022 and TPL-023.

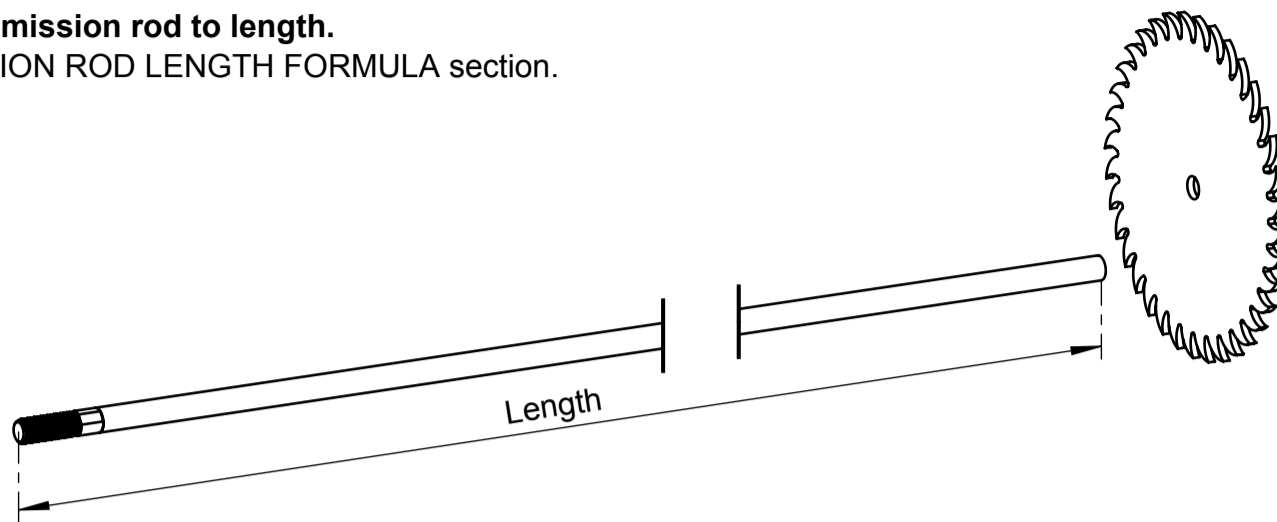
Notes:

1. Single cylinders TPL-022 and TPL-023 can be rehanded and the rehanding instruction is provided in the cylinder kit.

TRANSMISSION ROD AND BOLT ASSEMBLY

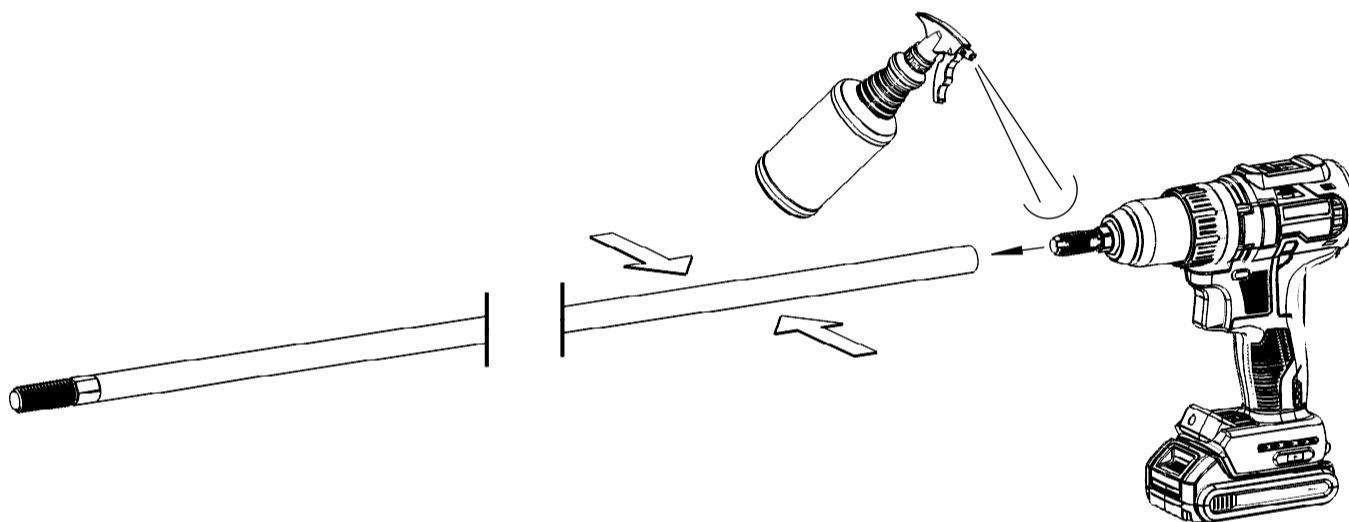
Step 1. Cut the transmission rod to length.

Refer to TRANSMISSION ROD LENGTH FORMULA section.



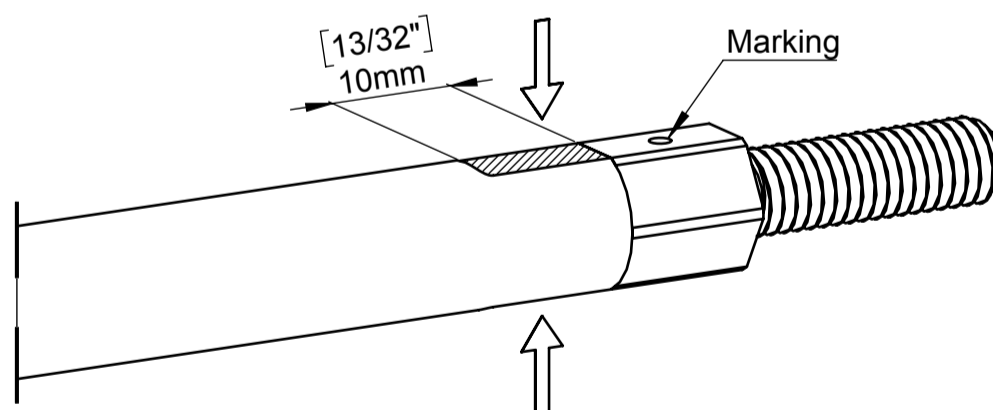
Step 2. Fit the bolt adaptor.

- Clamp the transmission rod so it doesn't rotate.
- Insert the adaptor into power drill and hold firmly - drill with 13mm or 1/2" chuck is recommended.
- Apply thread cutting fluid or WD40 to adaptor.
- Set the drill to low speed and high torque.
- Align the drill with transmission rod and drive adaptor into it until the adaptor bottoms out on its shoulder.



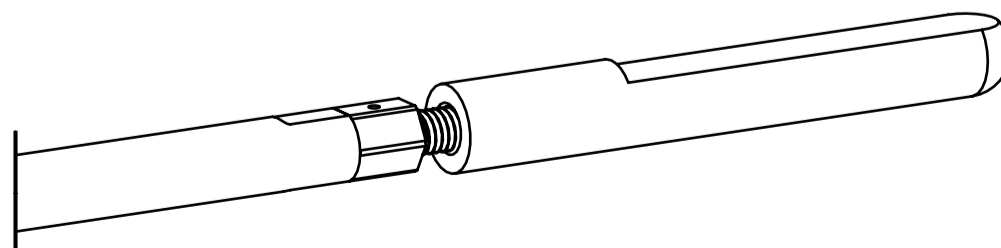
Step 3. Secure the bolt adaptor.

- Use a hammer to dent the tube to prevent the adaptor from rotating. Hit in line with the marking.
- Do the same on the opposite side.



Step 4. Fit the bolt.

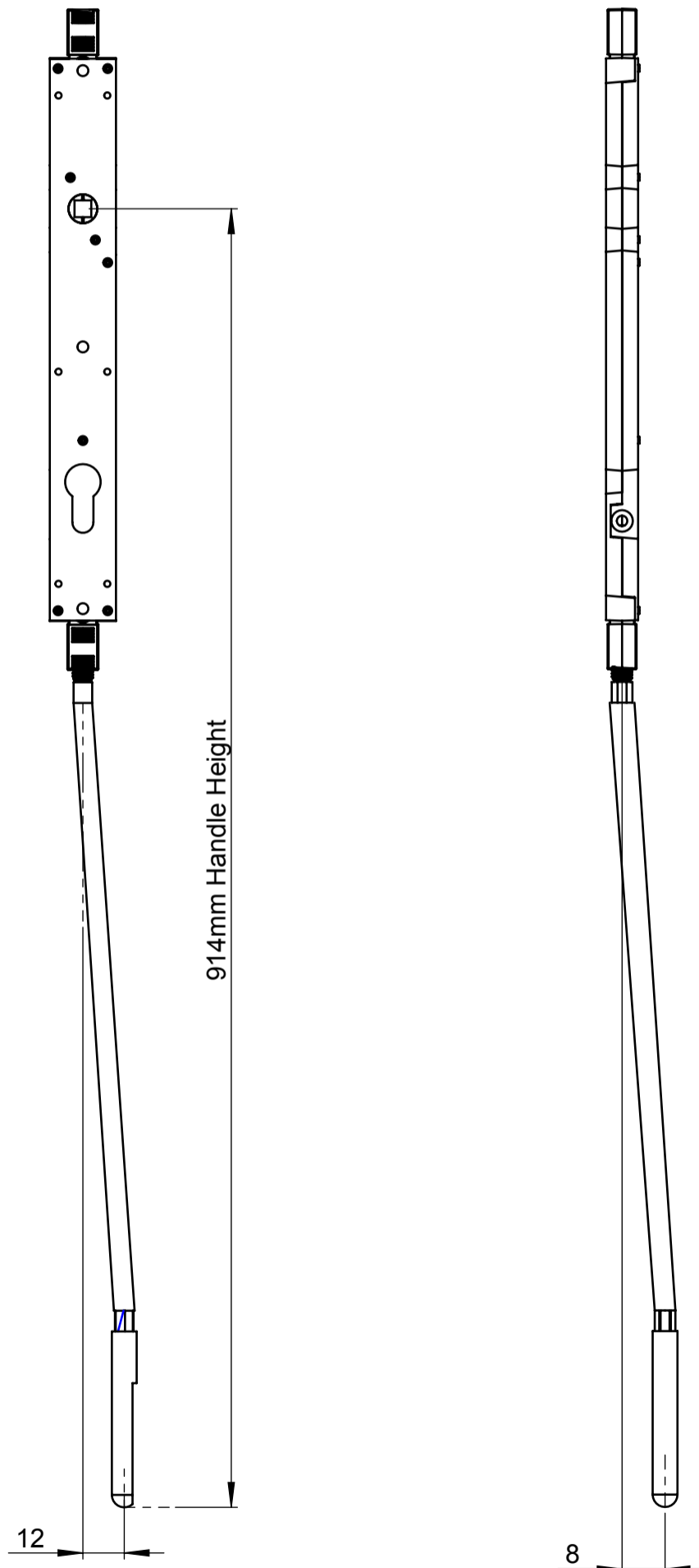
- Thread the bolt onto the adaptor.
- After lock installed, adjust the bolt in and out to suit the panel height - refer to **Bolt Adjustment Detail** section.



LOCK BODY AND BOLT ALIGNMENT

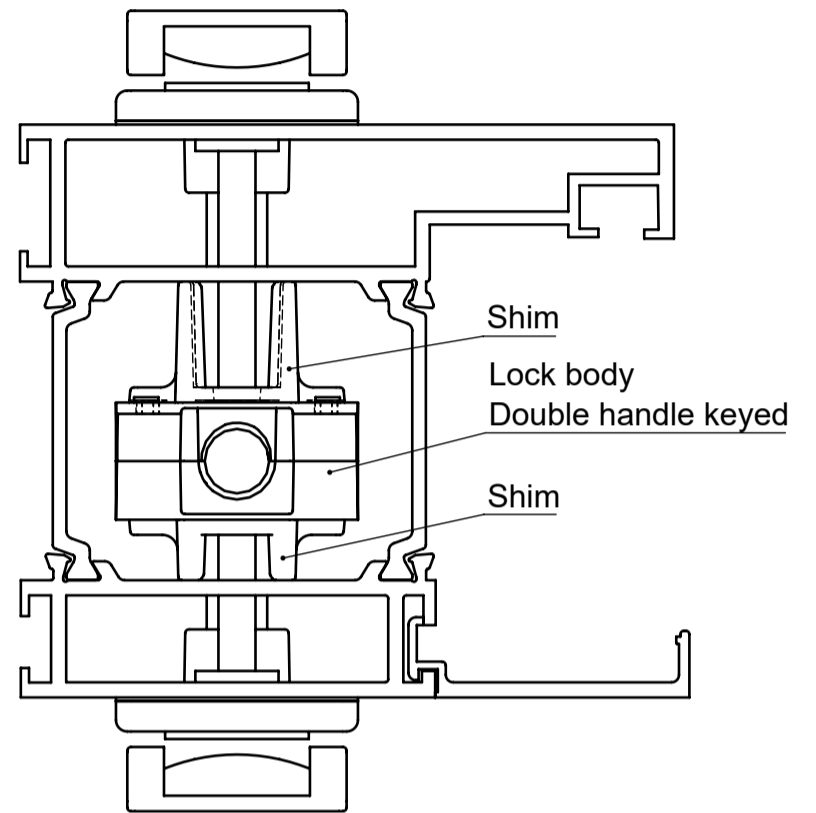
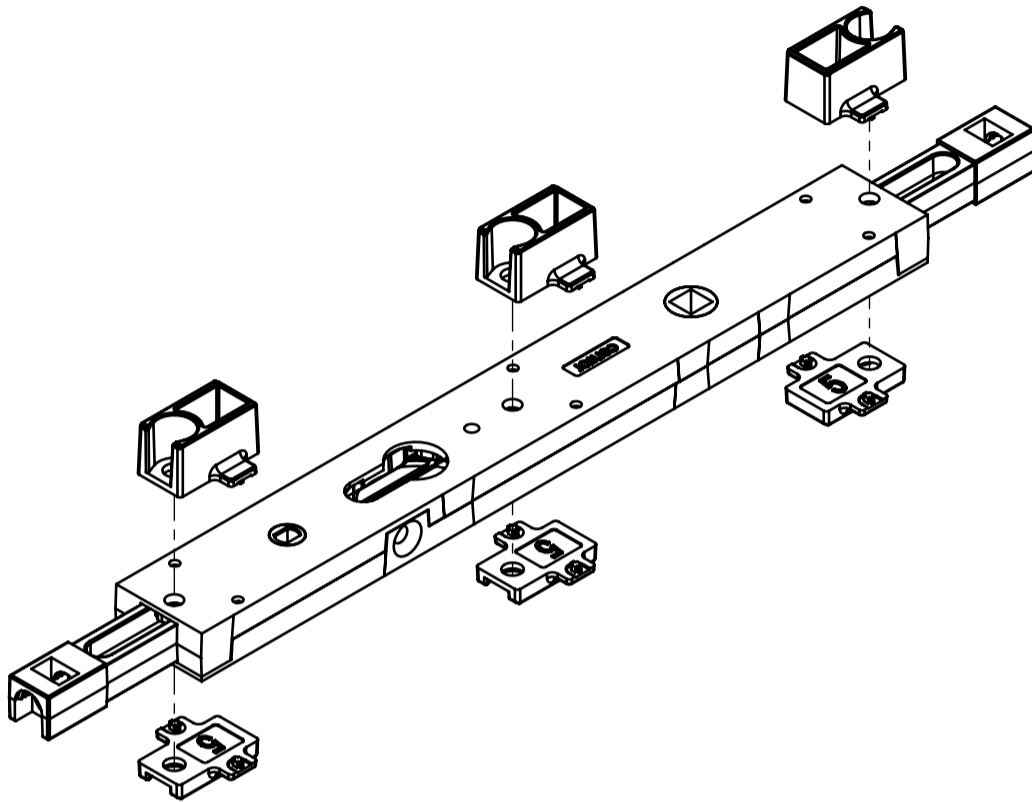
The lock body and bolt allow certain misalignment when fitted in hollow panel. The amount of misalignment is determined by the length of transmission rod.

As a guide, the following graphics show the allowable misalignment for handle height 914mm.

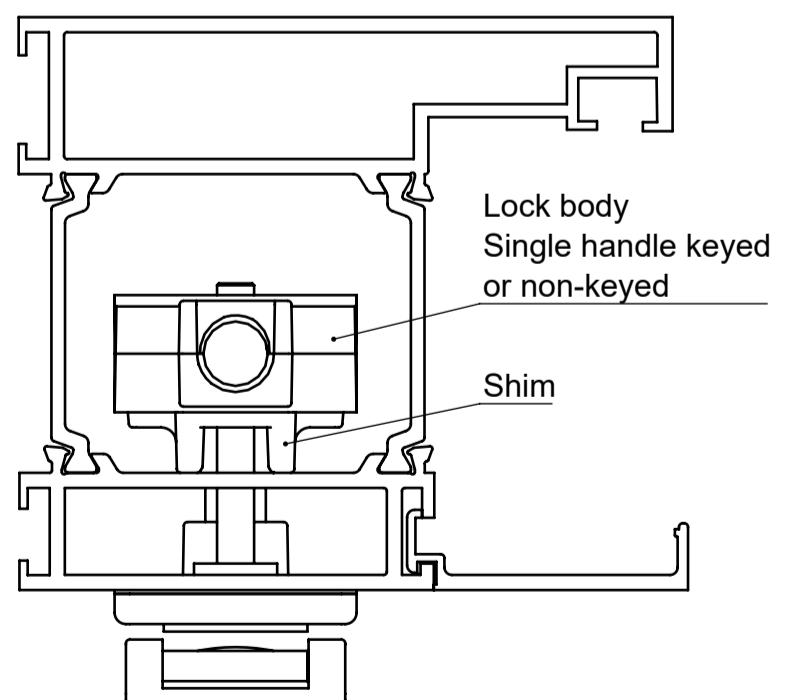
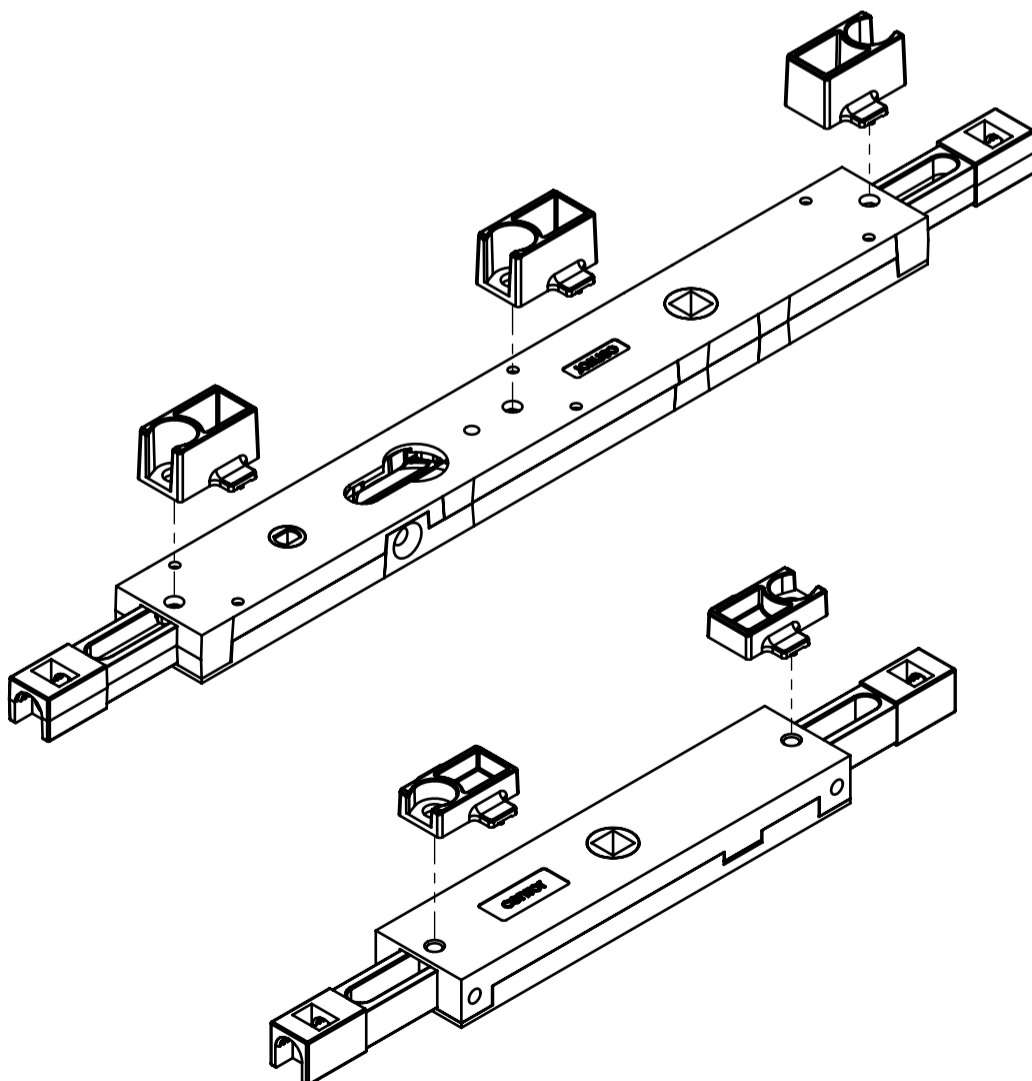


LOCK BODY AND SHIM ARRANGEMENT

Double handle keyed in hollow stile



Single handle keyed and non-keyed in hollow stile

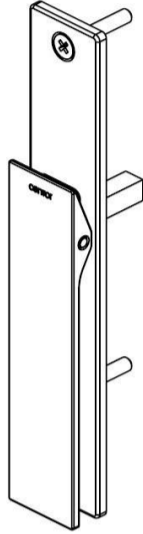


Stainless steel handles

**Single handle H01, 185mm, non-keyed
Outward opening**

Contents

1 x handle set, 1 x gasket, 2 x mounting screws



20.5mm spindle depth

TPL-002-C-S	brushed stainless
TPL-002-C-OL	PVD black
TPL-002-C-TG	PVD brass

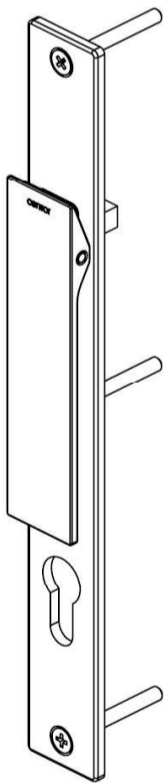
29.5mm spindle depth

TPL-002-G-S	brushed stainless
TPL-002-G-OL	PVD black
TPL-002-G-TG	PVD brass

**Single handle H01, 280mm, keyed
Outward opening**

Contents

1 x handle set, 1 x gasket, 3 x mounting screws



20.5mm spindle depth

TPL-024-C-S	brushed stainless
TPL-024-C-OL	PVD black
TPL-024-C-TG	PVD brass

29.5mm spindle depth

TPL-024-G-S	brushed stainless
TPL-024-G-OL	PVD black
TPL-024-G-TG	PVD brass

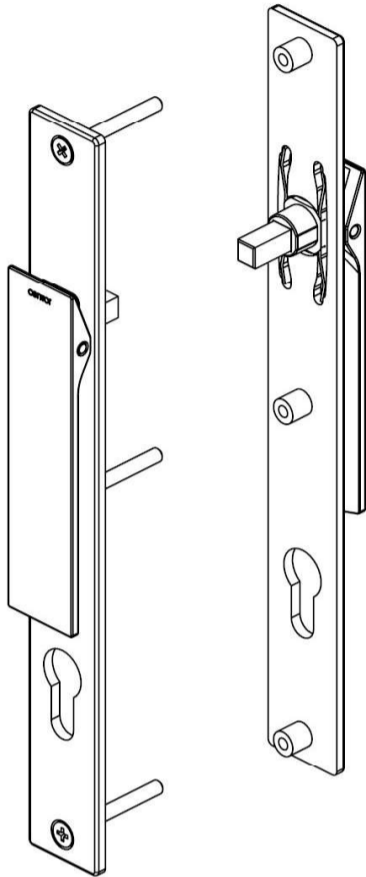
Stainless steel handles (continue)

Double handle H01, 280mm, keyed

Outward opening - 12mm transmission rod cover offset

Contents

1 x internal handle set, 1 x external handle set,
2 x gasket, 3 x mounting screws



Panel thickness - 54 to 58mm - 23.5mm-29.5mm spindle depth

TPL-001-JG-S	brushed stainless
TPL-001-JG-OL	PVD black
TPL-001-JG-TG	PVD brass

Panel thickness - 59 to 63mm - 23.5mm-34.5mm spindle depth

TPL-001-JK-S	brushed stainless
TPL-001-JK-OL	PVD black
TPL-001-JK-TG	PVD brass

Panel thickness - 64 to 68mm - 23.5mm-39.5mm spindle depth

TPL-001-JL-S	brushed stainless
TPL-001-JL-OL	PVD black
TPL-001-JL-TG	PVD brass

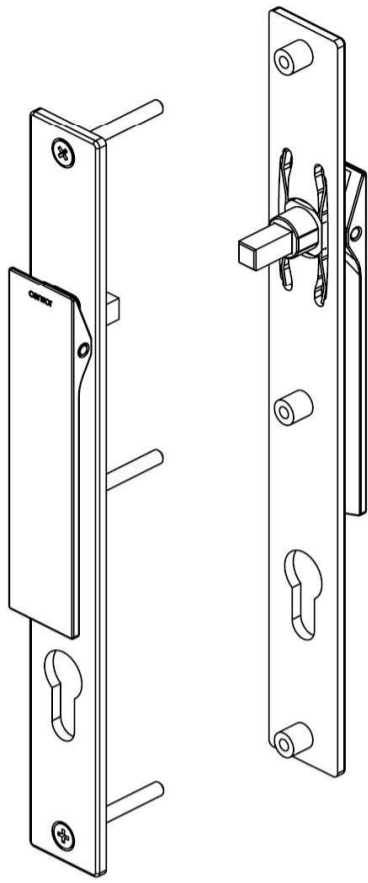
Panel thickness - 69 to 73mm - 23.5mm-44.5mm spindle depth

TPL-001-JM-S	brushed stainless
TPL-001-JM-OL	PVD black
TPL-001-JM-TG	PVD brass

Panel thickness - 74 to 78mm - 23.5mm-49.5mm spindle depth

TPL-001-JN-S	brushed stainless
TPL-001-JN-OL	PVD black
TPL-001-JN-TG	PVD brass

Stainless steel handles (continue)



Panel thickness - 79 to 83mm - 23.5mm-54.5mm spindle depth

TPL-001-JO-S	brushed stainless
TPL-001-JO-OL	PVD black
TPL-001-JO-TG	PVD brass

Panel thickness - 84 to 88mm - 23.5mm-59.5mm spindle depth

TPL-001-JP-S	brushed stainless
TPL-001-JP-OL	PVD black
TPL-001-JP-TG	PVD brass

Panel thickness - 89 to 93mm - 23.5mm-64.5mm spindle depth

TPL-001-JQ-S	brushed stainless
TPL-001-JQ-OL	PVD black
TPL-001-JQ-TG	PVD brass

Panel thickness - 94 to 98mm - 23.5mm-69.5mm spindle depth

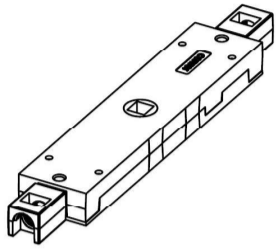
TPL-001-JR-S	brushed stainless
TPL-001-JR-OL	PVD black
TPL-001-JR-TG	PVD brass

Lock bodies

Lock body

Contents

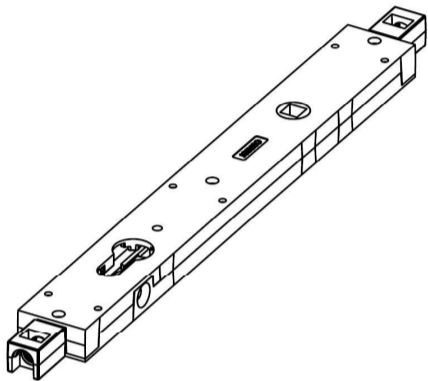
1 x lock body



for short handle 185mm

TPL-004

single



for long handle 280mm

TPL-025

single

TPL-003

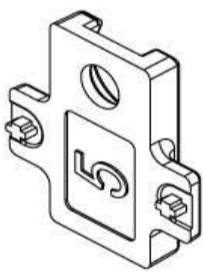
double

Shims

Shim

Contents

50 x shims



bag of 50

TPL-038-05-50

5mm

TPL-038-08-50

8mm

TPL-038-16-50

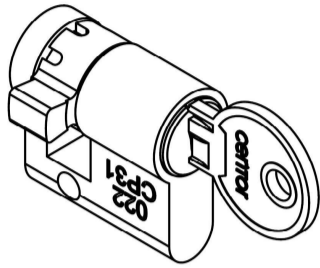
16mm

Single lock cylinders

Lock cylinder Euro single keyed alike C4

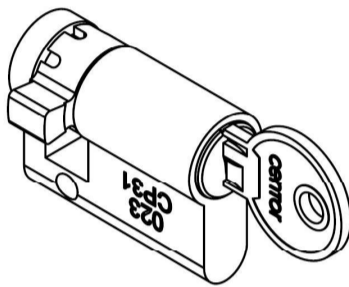
Contents

*1 x cylinder, 3 x 5-pin key, 1 x 20mm long cylinder screw
1 x Rehanding instruction.*



3 Pin 23mm

TPL-022-KA-US15	satin nickel
TPL-022-KA-MB	matt black
TPL-022-KA-TG	PVD brass



5 Pin 32mm

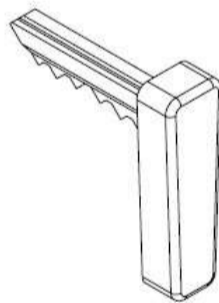
TPL-023-KA-US15	satin nickel
TPL-023-KA-MB	matt black
TPL-023-KA-TG	PVD brass

Removable key/thumb turn

Key with thumb turn keyed alike C4

Contents

1 x thumb turn



5 pin - for single cylinders TPL-022-KA and TPL-023-KA**

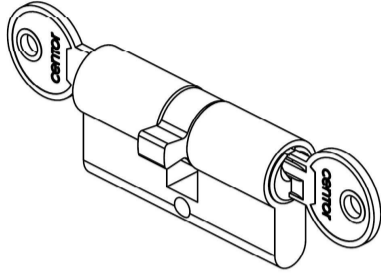
TPL-044-KA-US15	satin nickel
TPL-044-KA-MB	matt black
TPL-044-KA-TG	PVD brass

Double lock cylinders

Lock cylinder Euro double 6 pin security

Contents

1 x cylinder, 2 x key, 1 x 20mm long cylinder screw



65mm (30-35) suit panel thickness 54 to 58mm

TPL-050-65-L-KD-MB	left hand	- matt black
TPL-050-65-L-KD-SN		- satin
TPL-050-65-L-KD-SB		- brass
TPL-050-65-R-KD-MB	right hand	- matt black
TPL-050-65-R-KD-SN		- satin
TPL-050-65-R-KD-SB		- brass

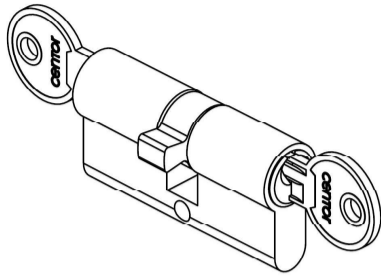
70mm (30-40) suit panel thickness 58 to 63mm

TPL-050-70-L-KD-MB	left hand	- matt black
TPL-050-70-L-KD-SN		- satin
TPL-050-70-L-KD-SB		- brass
TPL-050-70-R-KD-MB	right hand	- matt black
TPL-050-70-R-KD-SN		- satin
TPL-050-70-R-KD-SB		- brass

75mm (30-45) suit panel thickness 63 to 68mm

TPL-050-75-L-KD-MB	left hand	- matt black
TPL-050-75-L-KD-SN		- satin
TPL-050-75-L-KD-SB		- brass
TPL-050-75-R-KD-MB	right hand	- matt black
TPL-050-75-R-KD-SN		- satin
TPL-050-75-R-KD-SB		- brass

Double lock cylinders (continue)



80mm (30-50) suit panel thickness 68 to 73mm

TPL-050-80-L-KD-MB	left hand	- matt black
TPL-050-80-L-KD-SN		- satin
TPL-050-80-L-KD-SB		- brass
TPL-050-80-R-KD-MB	right hand	- matt black
TPL-050-80-R-KD-SN		- satin
TPL-050-80-R-KD-SB		- brass

85mm (30-55) suit panel thickness 73 to 78mm

TPL-050-85-L-KD-MB	left hand	- matt black
TPL-050-85-L-KD-SN		- satin
TPL-050-85-L-KD-SB		- brass
TPL-050-85-R-KD-MB	right hand	- matt black
TPL-050-85-R-KD-SN		- satin
TPL-050-85-R-KD-SB		- brass

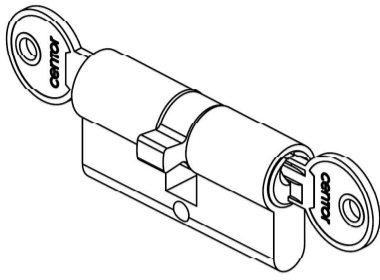
90mm (30-60) suit panel thickness 78 to 83mm

TPL-050-90-L-KD-MB	left hand	- matt black
TPL-050-90-L-KD-SN		- satin
TPL-050-90-L-KD-SB		- brass
TPL-050-90-R-KD-MB	right hand	- matt black
TPL-050-90-R-KD-SN		- satin
TPL-050-90-R-KD-SB		- brass

95mm (30-65) suit panel thickness 83 to 88mm

TPL-050-95-L-KD-MB	left hand	- matt black
TPL-050-95-L-KD-SN		- satin
TPL-050-95-L-KD-SB		- brass
TPL-050-95-R-KD-MB	right hand	- matt black
TPL-050-95-R-KD-SN		- satin
TPL-050-95-R-KD-SB		- brass

Double lock cylinders (continue)



100mm (30-70) suit panel thickness 88 to 93mm

TPL-050-100-L-KD-MB	left hand	- matt black
TPL-050-100-L-KD-SN		- satin
TPL-050-100-L-KD-SB		- brass
TPL-050-100-R-KD-MB	right hand	- matt black
TPL-050-100-R-KD-SN		- satin
TPL-050-100-R-KD-SB		- brass

105mm (30-75) suit panel thickness 93 to 98mm

TPL-050-105-L-KD-MB	left hand	- matt black
TPL-050-105-L-KD-SN		- satin
TPL-050-105-L-KD-SB		- brass
TPL-050-105-R-KD-MB	right hand	- matt black
TPL-050-105-R-KD-SN		- satin
TPL-050-105-R-KD-SB		- brass

Transmission rod set

Transmission rod set

Contents

2 x transmission rods with



TPL-041-24	up to 2440mm panel height
TPL-041-30	up to 3050mm panel height
TPL-041-40	up to 4000mm panel height

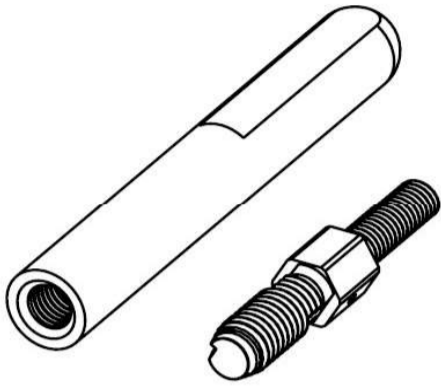
Bolts and transmission rod adaptors

Rount bolt and adaptor

Contents

bag of 2 - 2 x bolts, 2 x adaptors (not attached).

bag of 20 - 20 x bolts, 20 x adaptors (not attached).



12.7mm single flat

TPL-033-B-02	bag of 2
TPL-033-B-20	bag of 20

12.7mm double flat

TPL-033-A-02	bag of 2
TPL-033-A-20	bag of 20

12.5mm single flat

TPL-033-C-02	bag of 2
TPL-033-C-20	bag of 20

12.0mm single flat

TPL-033-D-02	bag of 2
TPL-033-D-20	bag of 20

11.5mm single flat

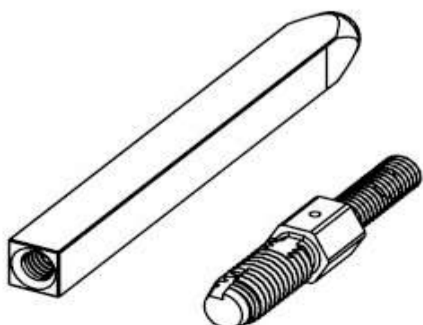
TPL-033-E-02	bag of 2
TPL-033-E-20	bag of 20

Square bolt and adaptor

Contents

bag of 2 - 2 x bolts, 2 x adaptors (not attached).

bag of 20 - 20 x bolts, 20 x adaptors (not attached).



8mm

TPL-033-F-02	bag of 2
TPL-033-F-20	bag of 20

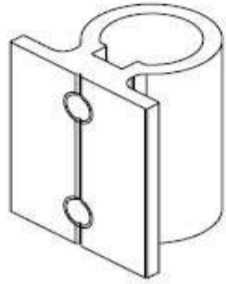
Bolt guides

Bolt guide aluminium

Contents

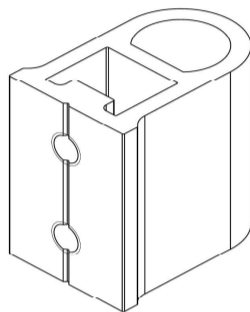
bag of 2 - 2 x bolt guides, 4 x 8mm long screws.

bag of 20 - 20 x bolt guides, 40 x 8mm long screws.



13.0mm ID - 13mm offset

TPL-034-NF-02	bag of 2
TPL-034-NF-20	bag of 20



12.4mm ID - 20mm offset

TPL-035-NF-02	bag of 2
TPL-035-NF-20	bag of 20

Centor UK Ltd

Birmingham
+44 (0) 121 701 2500
mail.uk@centor.com
centor.com

Centor Europe Sp zo.o

Stryków
+48 42 206 8810
mail.ce@centor.com
centor.com