

F3

INSTALLATION INSTRUCTIONS

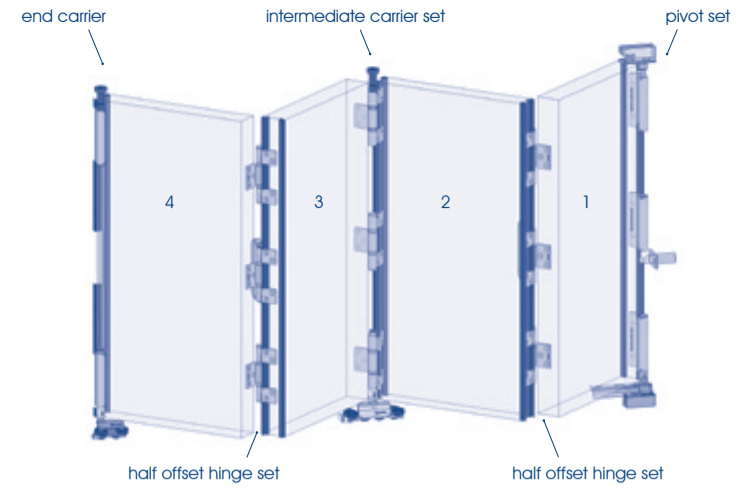
Centor Europe
+44 (0)121 701 2500
mail@centor.eu
www.centor.eu

Centor North America
toll free 866-255-0008
mail@centorarchitectural.com
www.centorarchitectural.com

Centor Asia Pacific
1300 CENTOR
mail@centor.com.au
www.centor.com.au

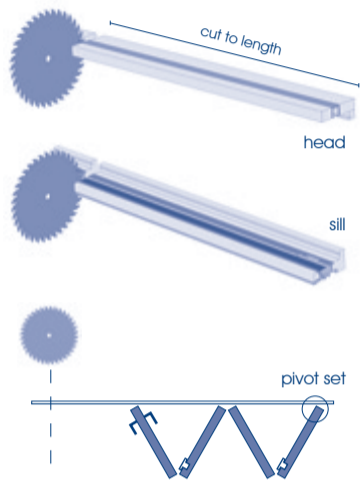


HARDWARE SET LOCATIONS



4R configuration shown for illustration purposes. See over for other configurations

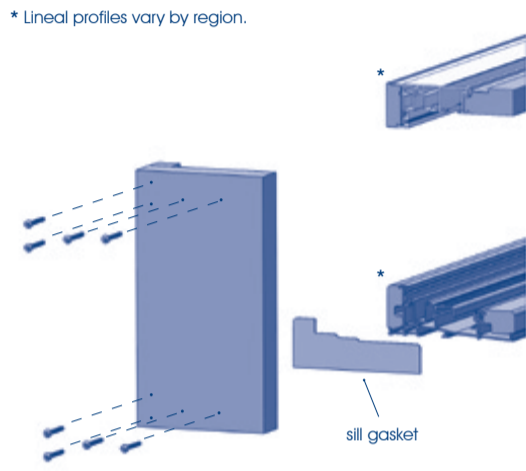
1. CUT LINEALS TO LENGTH



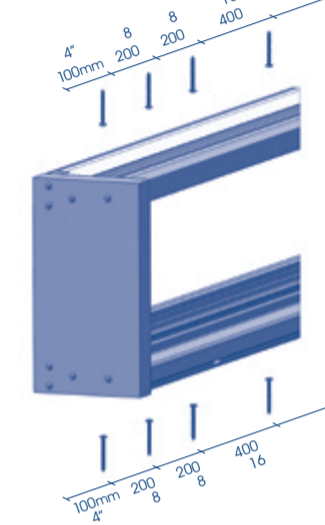
F3 DoorCalc
Visit the Centor website to download the F3 DoorCalc

Cut end opposite pivot set for one way stacking doors
Cut either end (but only one end) for two way stacking doors

2. ATTACH JAMBS TO HEAD AND SILL



3. FIX HEAD & SILL TO OPENING



Fix through guide and carrier channels making sure not to obstruct hardware.



Head and sill to align vertically.

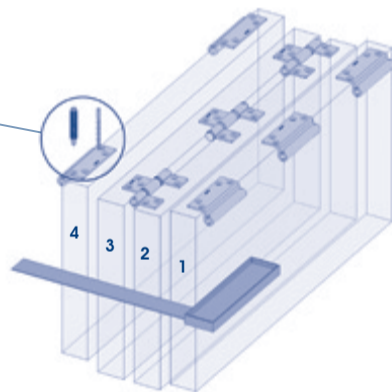
4. PRE-DRILL PANELS



Pivots, Intermediate Carriers & End Carriers

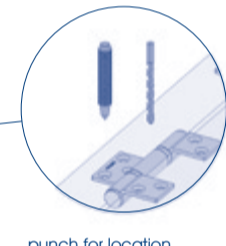
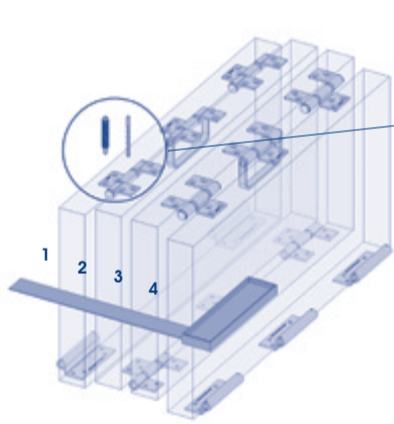


punch for location then drill



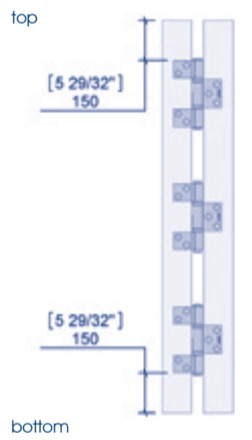
flip panels

Hinges & Half Offset Hinges



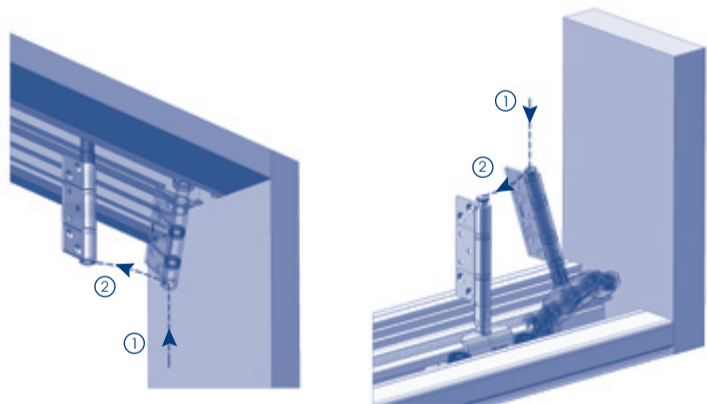
punch for location then drill

minimum dimensions for use with Twinpoint Bolt

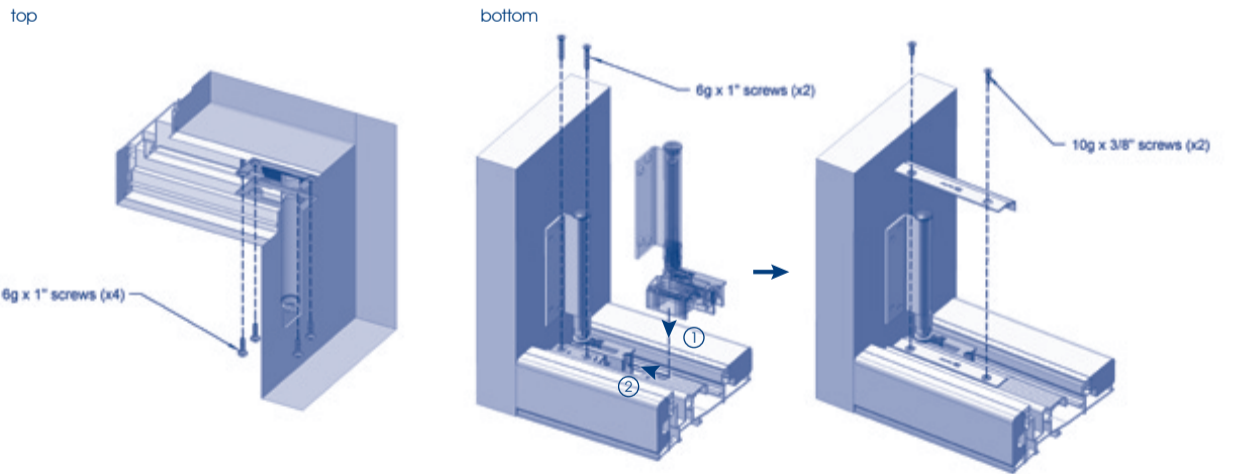


5. INSERT HARDWARE INTO TRACK

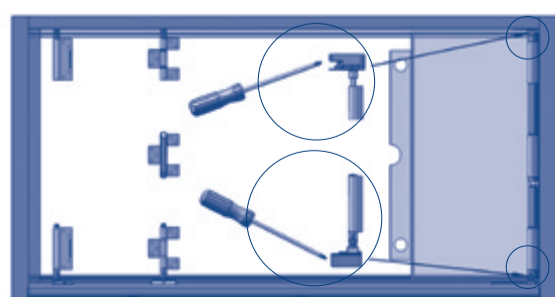
Insert hardware into head and sill in correct order.



6. FIX PIVOTS

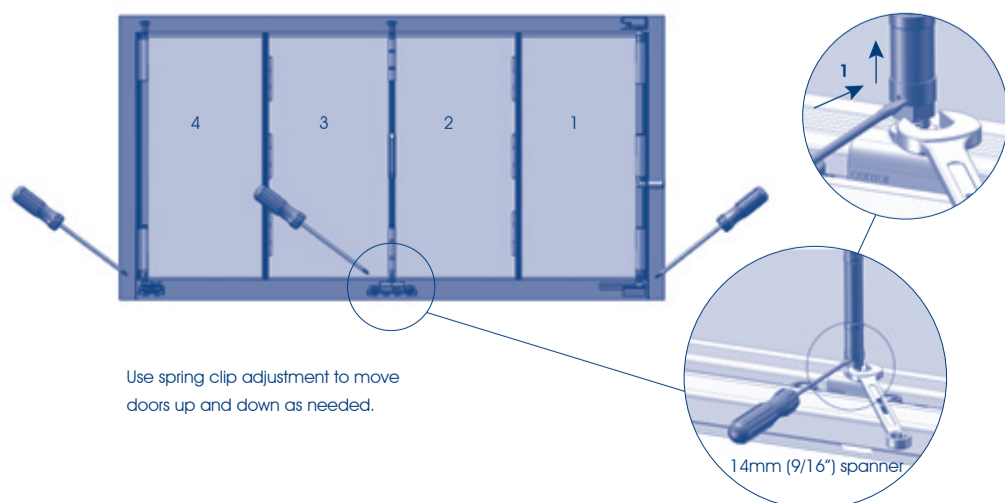


7. ADJUST PIVOTS



Ensure pivot panel is vertical (plumb) using adjustment screws in top and bottom pivot blocks. Attach each following panel one by one.

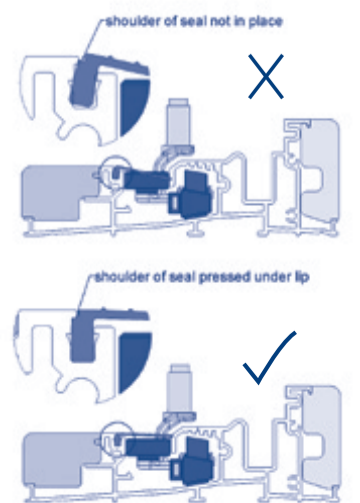
8. HEIGHT ADJUSTMENT



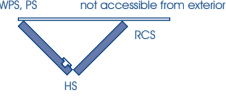
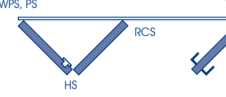
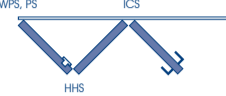
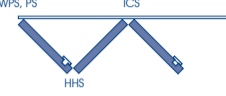
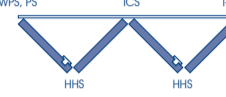
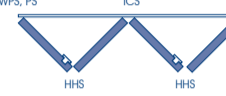
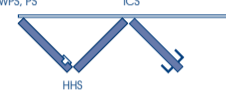
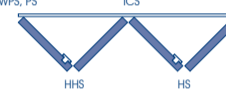
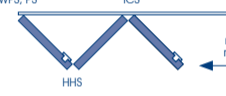
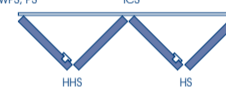
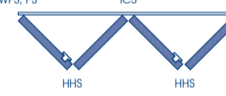
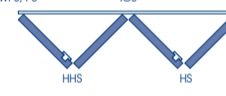
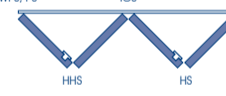
Use spring clip adjustment to move doors up and down as needed.

9. INSERT TRACK SEAL

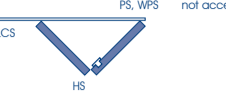
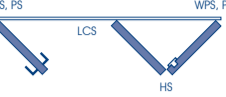
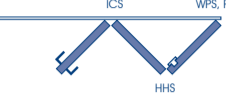



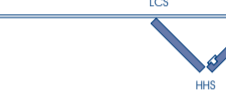

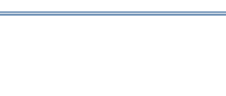
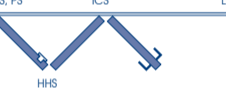


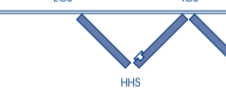
Ensure seal is fully pressed in



DOOR PANEL / HARDWARE CONFIGURATIONS

CODE	OPENING CONFIGURATION	HARDWARE
2L	<p>inside WPS, PS not accessible from exterior</p> <p>outside </p>	<ul style="list-style-type: none"> 1 x pivot set 1 x wall pivot set* 1 x right carrier set 1 x hinge set 2 x dropbolt
2L1R	<p>inside WPS, PS WPS, PS</p> <p>outside </p>	<ul style="list-style-type: none"> 2 x pivot set 2 x wall pivot set* 1 x right carrier set 1 x hinge set 2 x dropbolt
3L	<p>inside WPS, PS ICS</p> <p>outside </p>	<ul style="list-style-type: none"> 1 x pivot set 1 x wall pivot set* 1 x intermediate carrier set 1 x half offset hinge set 2 x dropbolt
3L1R	<p>inside WPS, PS ICS WPS, PS</p> <p>outside </p>	<ul style="list-style-type: none"> 2 x pivot set 2 x wall pivot set* 1 x intermediate carrier set 1 x half offset hinge set 4 x dropbolt
4L	<p>inside WPS, PS ICS RCS not accessible from exterior</p> <p>outside </p>	<ul style="list-style-type: none"> 1 x pivot set 1 x wall pivot set* 1 x intermediate carrier set 1 x right carrier set 2 x half offset hinge set 4 x dropbolt
4L1R	<p>inside WPS, PS ICS WPS, PS</p> <p>outside </p>	<ul style="list-style-type: none"> 2 x pivot set 2 x wall pivot set* 1 x intermediate carrier set 1 x right carrier set 2 x half offset hinge set 4 x dropbolt
3L2R	<p>inside WPS, PS ICS WPS, PS</p> <p>outside </p>	<ul style="list-style-type: none"> 2 x pivot set 2 x wall pivot set* 1 x intermediate carrier set 1 x left carrier set 1 x hinge set 1 x half offset hinge set 4 x dropbolt
5L	<p>inside WPS, PS ICS ICS</p> <p>outside </p>	<ul style="list-style-type: none"> 1 x pivot set 1 x wall pivot set* 2 x intermediate carrier set 1 x hinge set 1 x half offset hinge set 4 x dropbolt
3L3R	<p>inside WPS, PS ICS ICS WPS, PS</p> <p>outside </p>	<ul style="list-style-type: none"> 2 x pivot set 2 x wall pivot set* 2 x intermediate carrier set 2 x half offset hinge set 6 x dropbolt
7L	<p>inside WPS, PS ICS ICS ICS</p> <p>outside </p>	<ul style="list-style-type: none"> 1 x pivot set 1 x wall pivot set* 3 x intermediate carrier set 2 x hinge set 1 x half offset hinge set 6 x dropbolt
4L3R	<p>inside WPS, PS ICS RCS ICS WPS, PS</p> <p>outside </p>	<ul style="list-style-type: none"> 2 x pivot set 2 x wall pivot set* 2 x intermediate carrier set 1 x right carrier set 3 x half offset hinge set 6 x dropbolt
5L2R	<p>inside WPS, PS ICS ICS RCS WPS, PS</p> <p>outside </p>	<ul style="list-style-type: none"> 2 x pivot set 2 x wall pivot set* 2 x intermediate carrier set 1 x left carrier set 2 x hinge set 1 x half offset hinge set 6 x dropbolt
5L3R	<p>inside WPS, PS ICS ICS ICS WPS, PS</p> <p>outside </p>	<ul style="list-style-type: none"> 2 x pivot set 2 x wall pivot set* 3 x intermediate carrier set 1 x hinge set 2 x half offset hinge set 8 x dropbolt

* Wall Pivot Sets required for doors over 2250mm

CODE	OPENING CONFIGURATION	HARDWARE
2R	<p>inside PS, WPS not accessible from exterior</p> <p>outside </p>	<ul style="list-style-type: none"> 1 x pivot set 1 x wall pivot set* 1 x left carrier set 1 x hinge set 2 x dropbolt
1L2R	<p>inside WPS, PS WPS, PS</p> <p>outside </p>	<ul style="list-style-type: none"> 2 x pivot set 2 x wall pivot set* 1 x left carrier set 1 x hinge set 2 x dropbolt
3R	<p>inside ICS WPS, PS</p> <p>outside </p>	<ul style="list-style-type: none"> 1 x pivot set 1 x wall pivot set* 1 x intermediate carrier set 1 x half offset hinge set 2 x dropbolt
1L3R	<p>inside WPS, PS ICS WPS, PS</p> <p>outside </p>	<ul style="list-style-type: none"> 2 x pivot set 2 x wall pivot set* 1 x intermediate carrier set 1 x half offset hinge set 4 x dropbolt
2L2R	<p>inside WPS, PS RCS LCS WPS, PS not accessible from exterior</p> <p>outside </p>	<ul style="list-style-type: none"> 2 x pivot set 2 x wall pivot set* 1 x right carrier set 1 x left carrier set 2 x hinge set 4 x dropbolt
1L4R	<p>inside WPS, PS LCS ICS WPS, PS</p> <p>outside </p>	<ul style="list-style-type: none"> 2 x pivot set 2 x wall pivot set* 1 x intermediate carrier set 1 x left carrier set 2 x half offset hinge set 4 x dropbolt
4R	<p>inside LCS ICS WPS, PS</p> <p>outside </p>	<ul style="list-style-type: none"> 1 x pivot set 1 x wall pivot set* 1 x intermediate carrier set 1 x left carrier set 2 x half offset hinge set 4 x dropbolt
2L3R	<p>inside WPS, PS RCS ICS WPS, PS</p> <p>outside </p>	<ul style="list-style-type: none"> 2 x pivot set 2 x wall pivot set* 1 x intermediate carrier set 1 x right carrier set 1 x hinge set 1 x half offset hinge set 4 x dropbolt
5R	<p>inside ICS ICS WPS, PS</p> <p>outside </p>	<ul style="list-style-type: none"> 1 x pivot set 1 x wall pivot set* 2 x intermediate carrier set 1 x hinge set 1 x half offset hinge set 4 x dropbolt
3L4R	<p>inside WPS, PS ICS LCS ICS WPS, PS</p> <p>outside </p>	<ul style="list-style-type: none"> 2 x pivot set 2 x wall pivot set* 2 x intermediate carrier set 1 x left carrier set 3 x half offset hinge set 6 x dropbolt
7R	<p>inside ICS ICS ICS WPS, PS</p> <p>outside </p>	<ul style="list-style-type: none"> 1 x pivot set 1 x wall pivot set* 3 x intermediate carrier set 2 x hinge set 1 x half offset hinge set 6 x dropbolt
2L5R	<p>inside WPS, PS RCS ICS ICS WPS, PS</p> <p>outside </p>	<ul style="list-style-type: none"> 2 x pivot set 2 x wall pivot set* 2 x intermediate carrier set 1 x right carrier set 2 x hinge set 1 x half offset hinge set 6 x dropbolt
8R	<p>inside LCS ICS ICS ICS WPS, PS not accessible from exterior</p> <p>outside </p>	<ul style="list-style-type: none"> 1 x pivot set 1 x wall pivot set* 3 x intermediate carrier set 1 x left carrier set 2 x hinge set 2 x half offset hinge set 8 x dropbolt

* Wall Pivot Sets required for doors over 2250mm