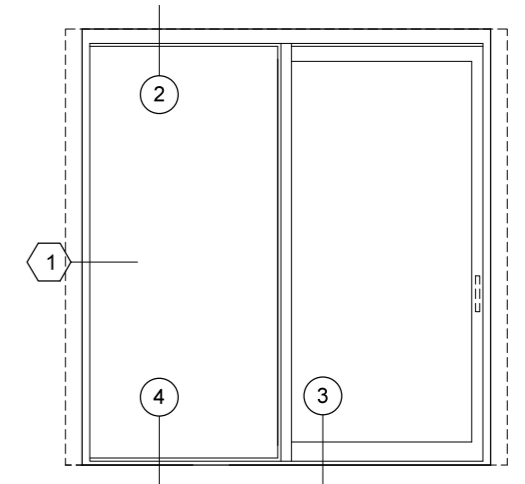
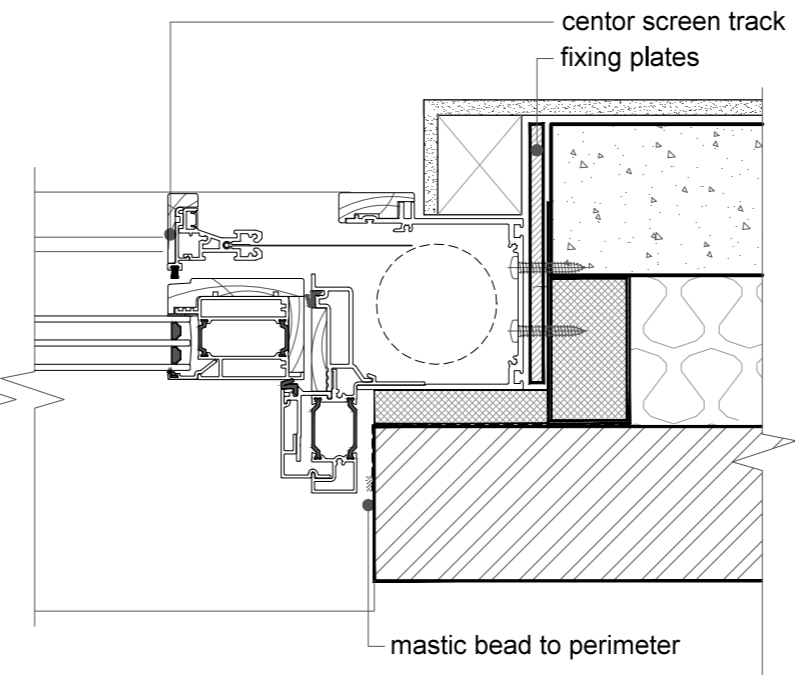


do not fix into screen box due to risk of damage to screen/blind inside

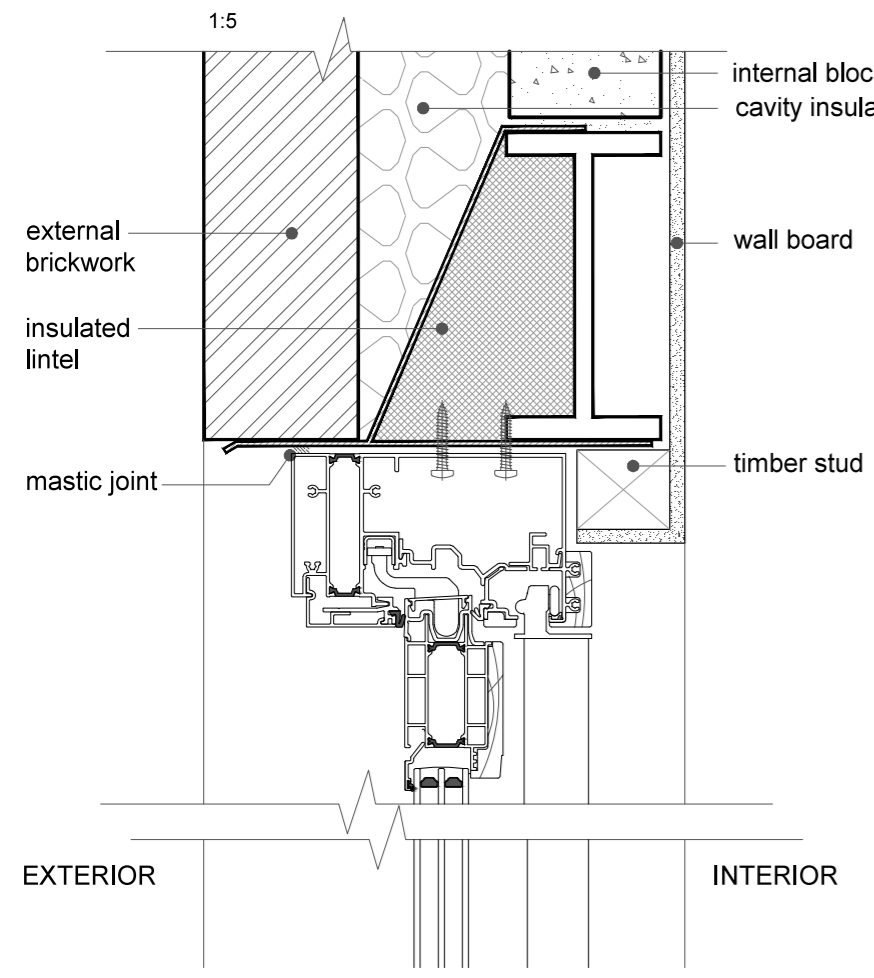


elevation key

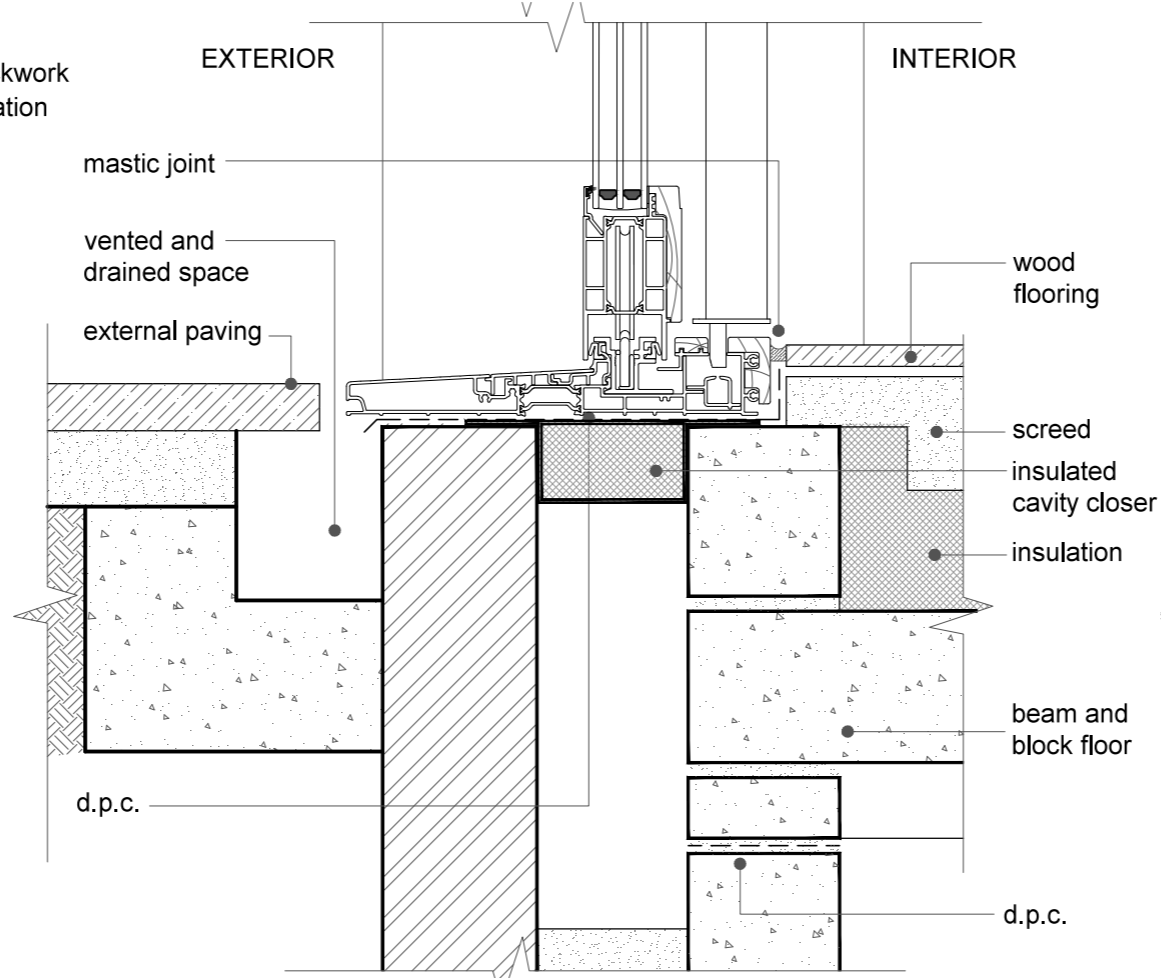
1:50

| | clearance |
|------|-----------|
| head | 10mm |
| sill | 10mm |
| jamb | 10mm |

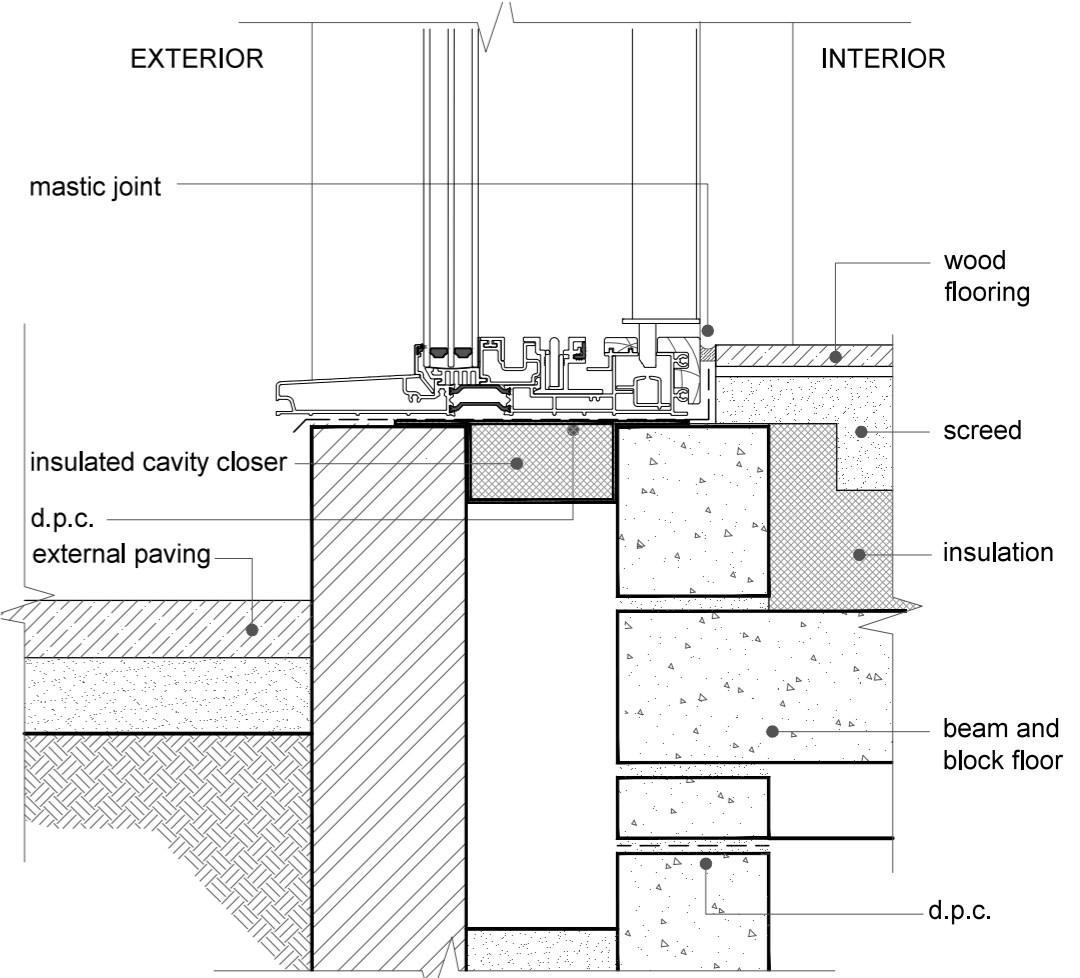
1 jamb detail



2 head detail - steel lintel



3 sill detail - level paving



4 sill detail - step down

typical rough opening clearances

Structural lintels should be fabricated and installed in accordance with a certified engineer's specifications. Steel lintels are strongly recommended for openings wider than 3.6M. For further information on lintel design refer to Centor Engineering Guide.