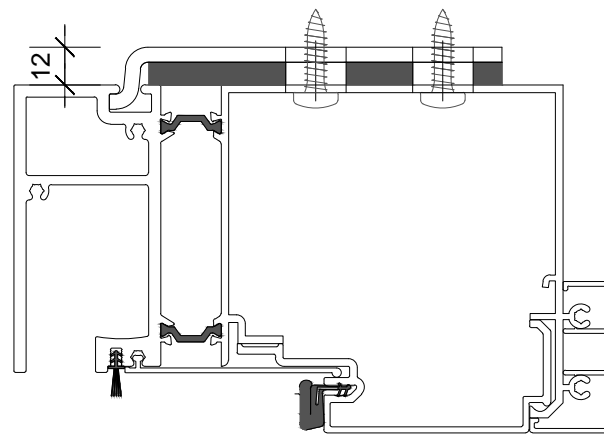
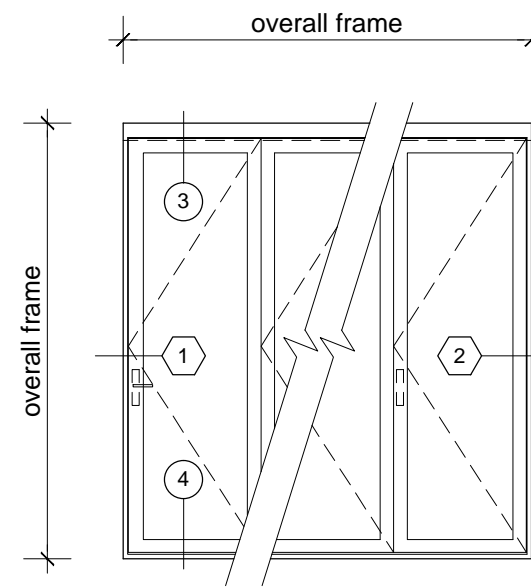


3. head detail

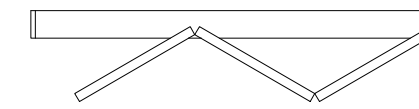


Head support bracket provided where fixing is inboard of the carrier track (folding doors only)
Door frames wider than 6000mm are supplied with a joiner to head and sill.

3a. head detail



elevation key

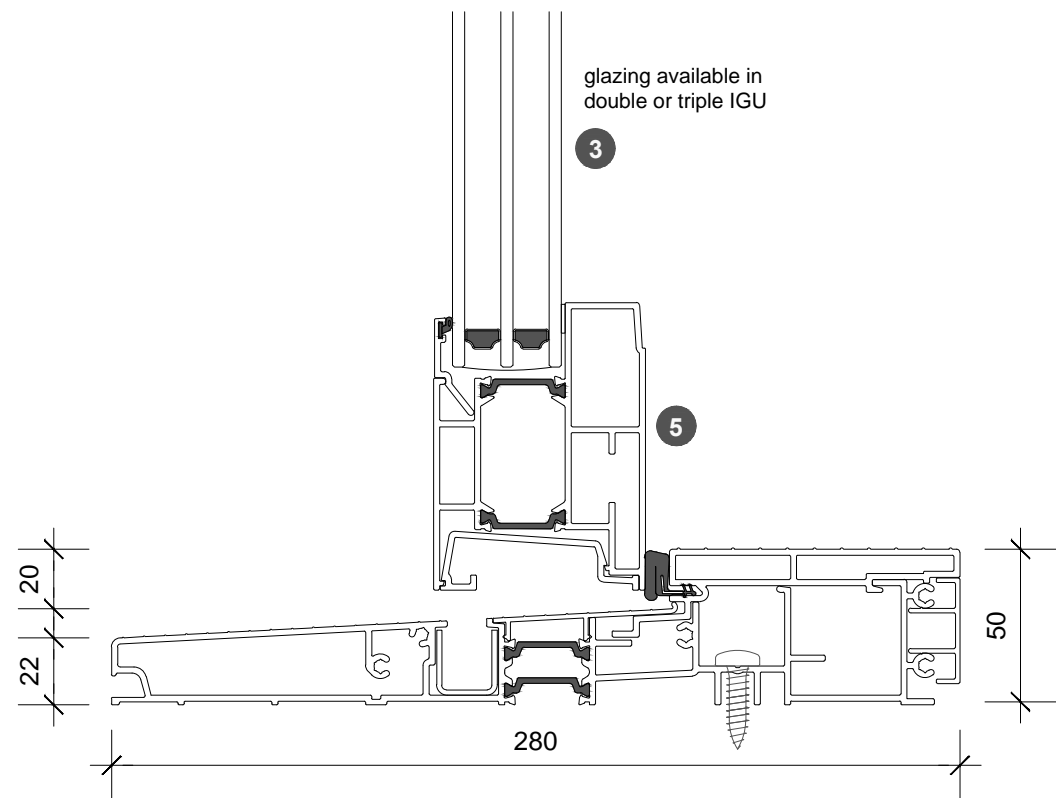


plan key

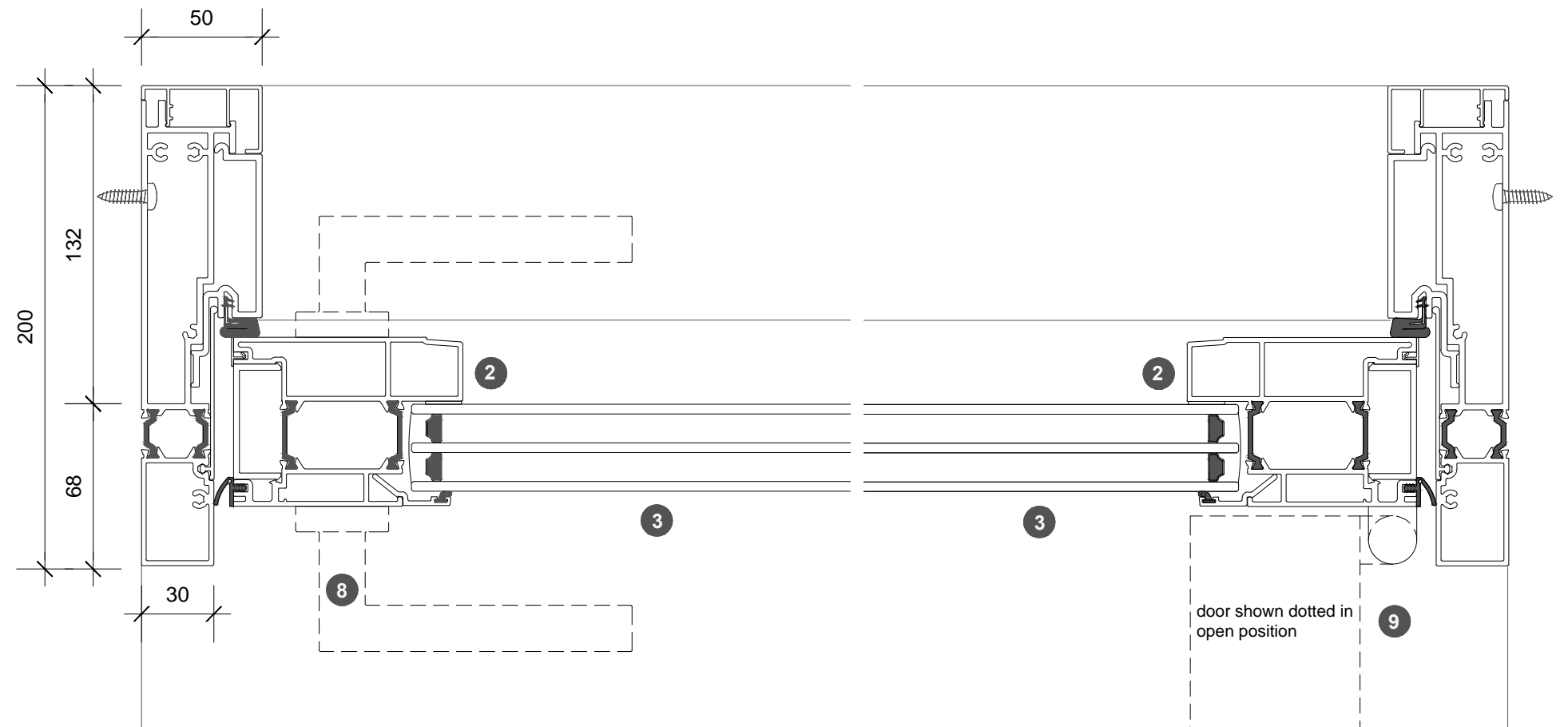
| | 305 series |
|----------------------|--------------|
| overall frame height | 1987 - 2884 |
| overall frame width | 1214 - 11500 |
| visible frame width | 1214 - 11500 |
| door panel height | 1846 - 2743 |
| door panel width | 575 - 1000 |

- | | |
|--------------------|----------------|
| 1 screen/shade box | 6 screen stile |
| 2 door panel stile | 7 screen/blind |
| 3 glazing | 8 lever handle |
| 4 top rail | 9 pivot |
| 5 bottom rail | |

legend



4. sill detail



1. jamb detail

2. jamb detail