

TwinPoint Gen2
HOLLOW PANELS



Folding door lock with internal and external access

centor®

Download options

Centor's brochures, technical documents and drawings can be downloaded from;

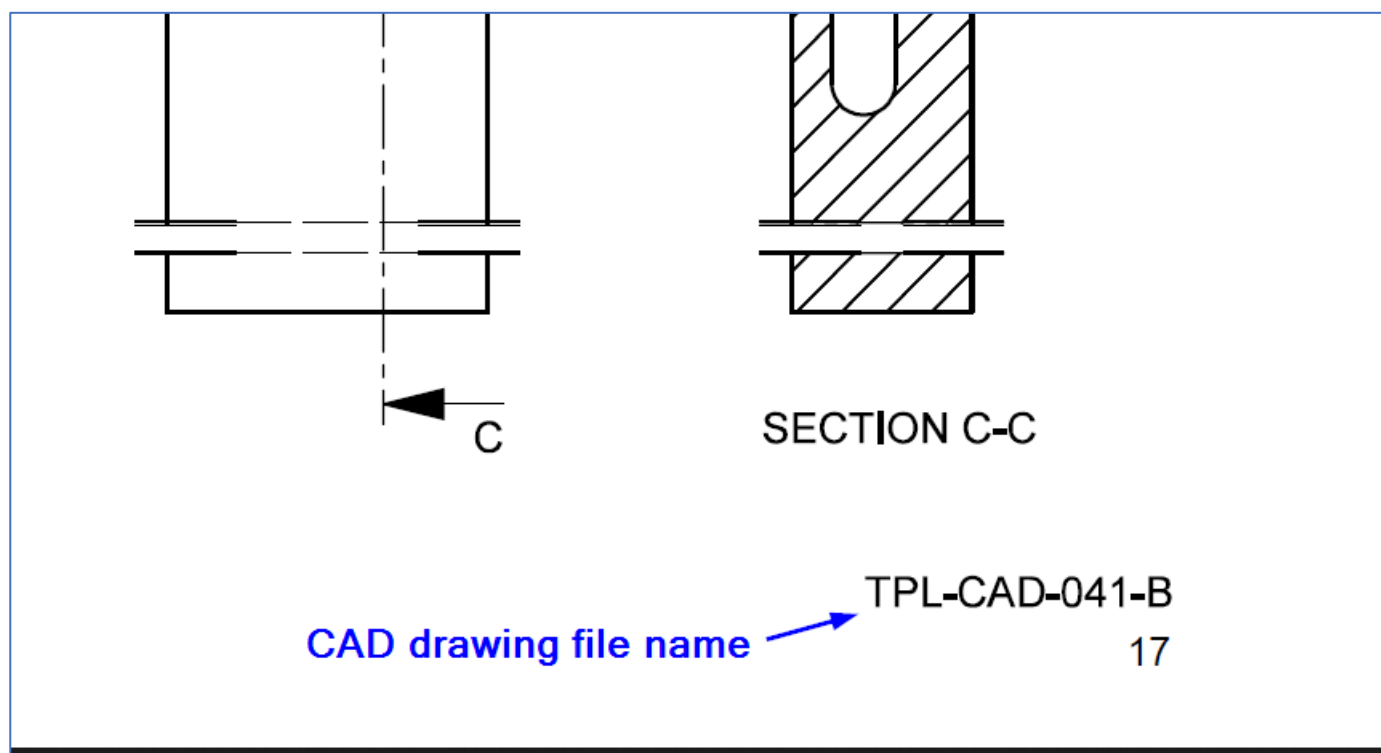
1. Bottom of the TwinPoint Gen2 website page
2. Professional section of Centor's webpage
3. This link. <https://centor.com/au/hardware/accessories/centor-twinpoint-gen2>

Downloads	
TwinPoint Gen2 Brochure	pdf
TwinPoint Gen2 Hollow Panels technical document	pdf
TwinPoint Gen2 Wood Panels technical document	pdf
TwinPoint Gen2 Drawings (dwg)	zip
TwinPoint Gen2 Drawings (dxf)	zip

2D CAD drawing download

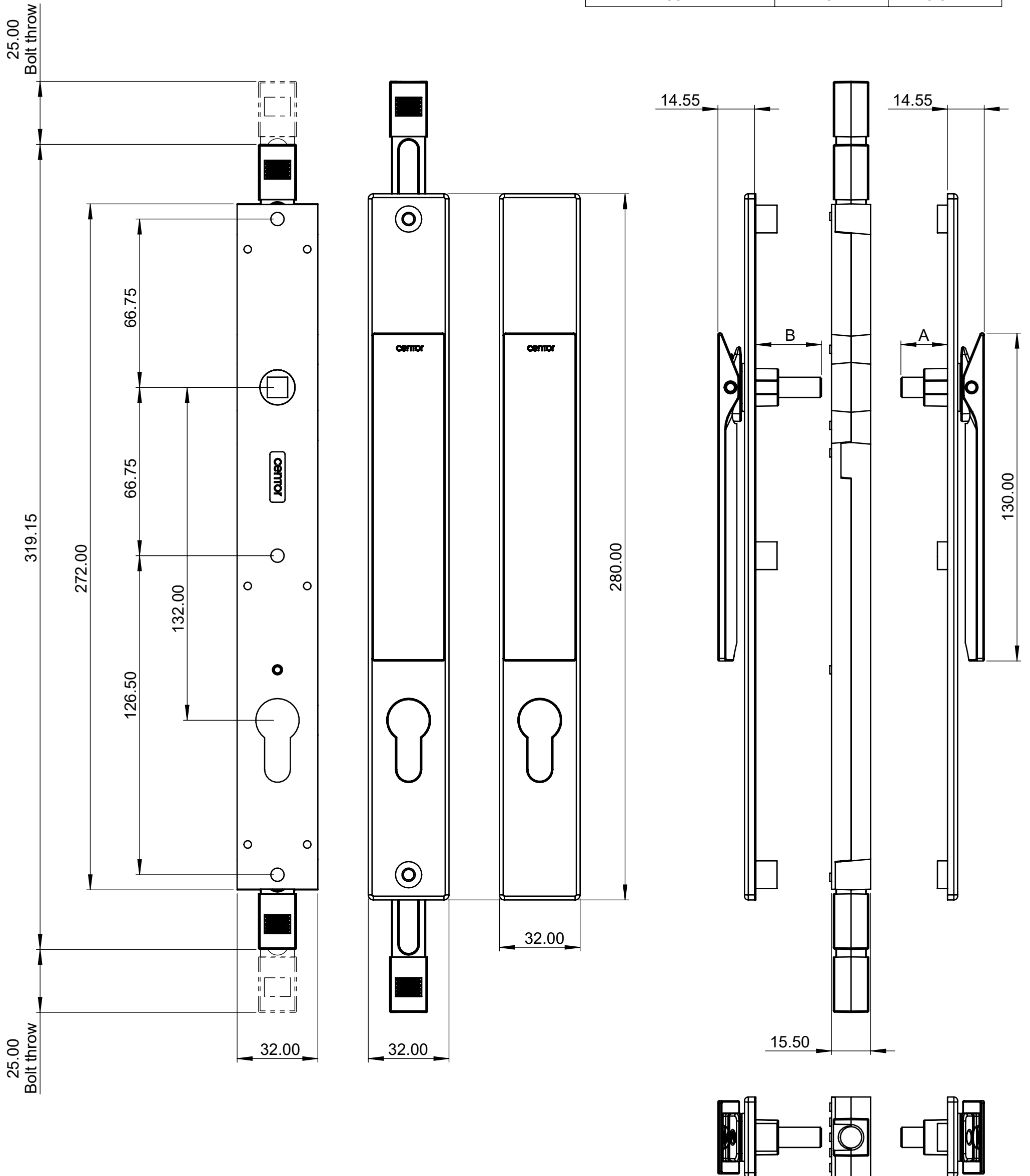
The drawings download provides a folder that contains all the drawings.

1. There are two folders. One for dwg and one for dxf.
2. Use the technical documents as an index to select the appropriate drawing. The drawing file name is printed at the bottom right corner of the page.



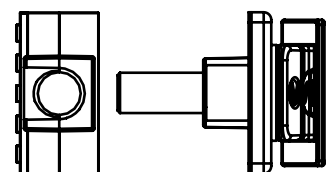
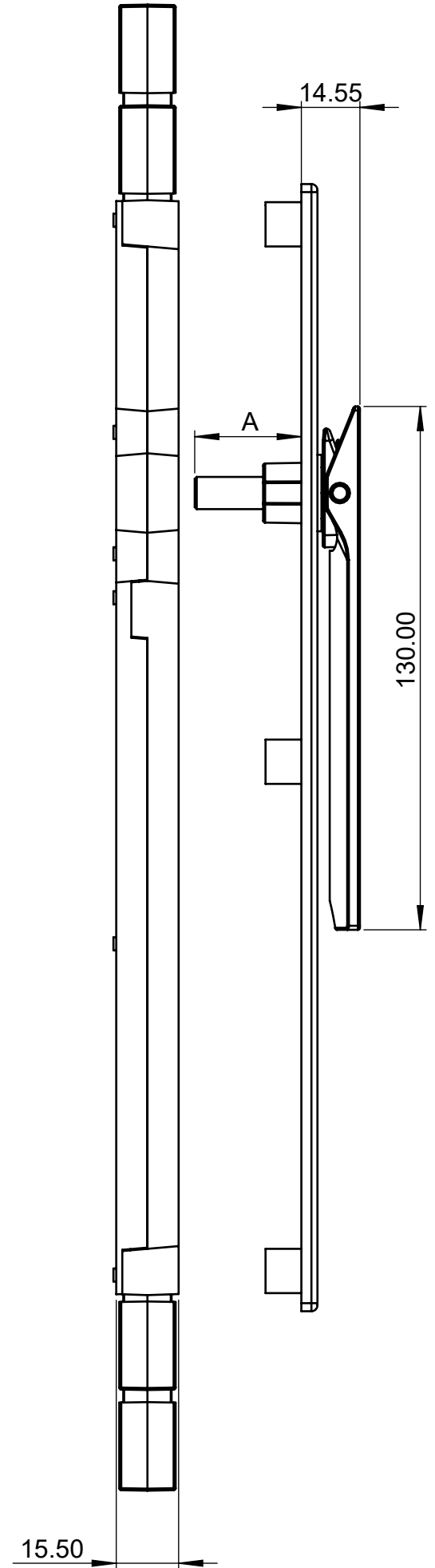
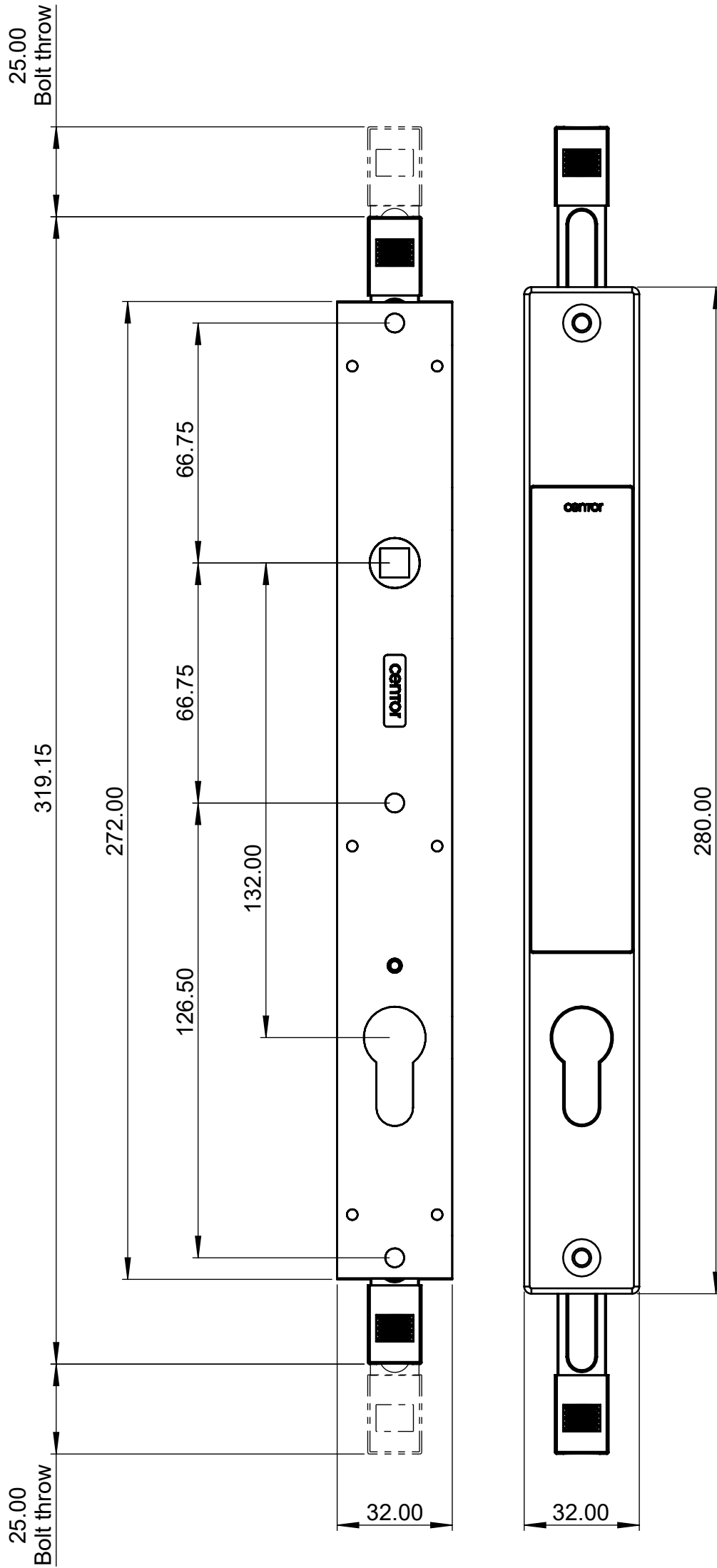
DOUBLE HANDLE KEYED

Handle item number	A (internal)	B (external)
TPL-001-AC-*	16.5mm	20.5mm
TPL-001-AE-*	16.5mm	24.5mm
TPL-001-CA-*	20.5mm	16.5mm
TPL-001-EA-*	24.5mm	16.5mm



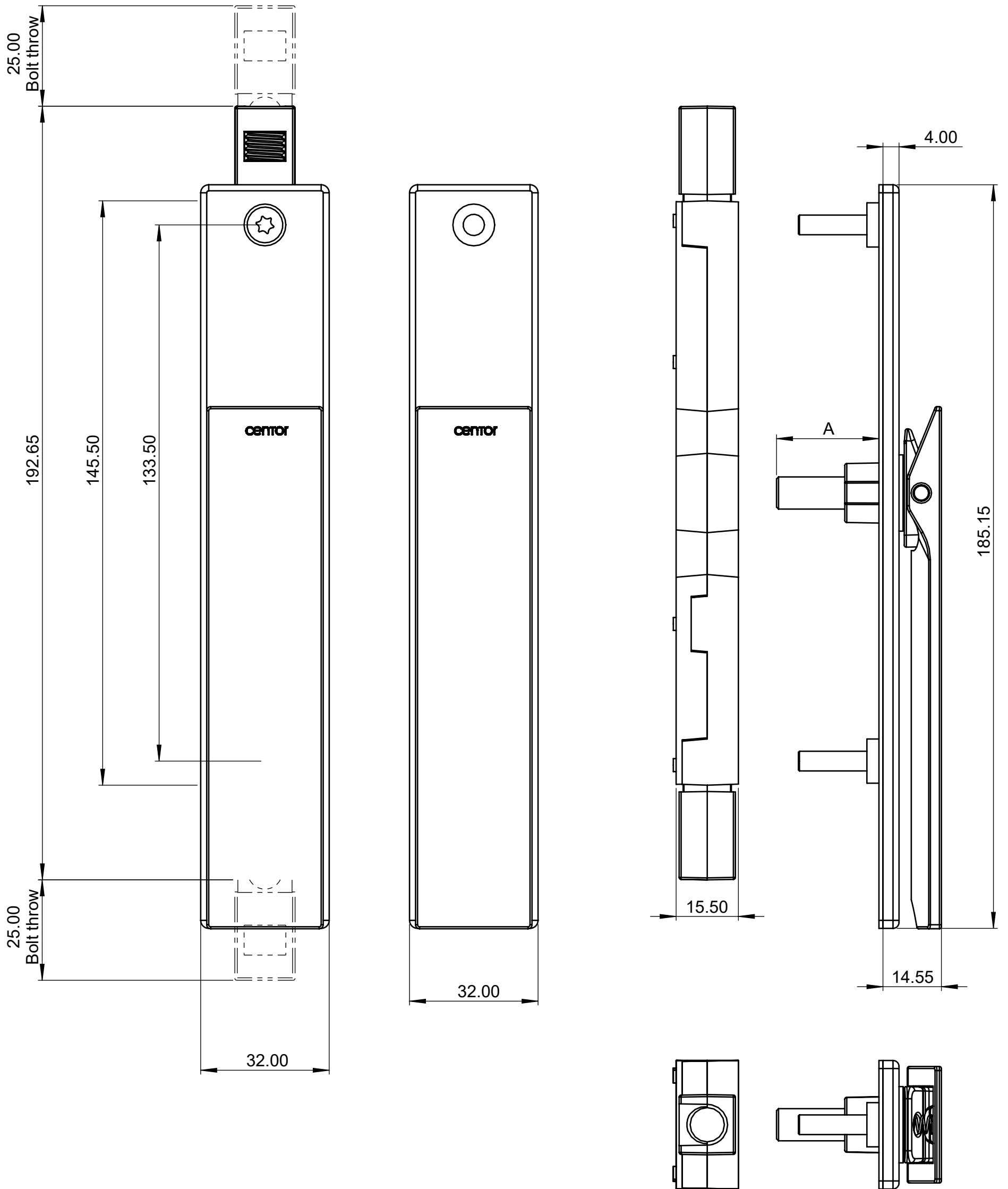
SINGLE HANDLE KEYED

Handle item number	A (internal)
TPL-002-C-*	20.5mm
TPL-002-E-*	24.5mm
TPL-002-G-*	29.5mm

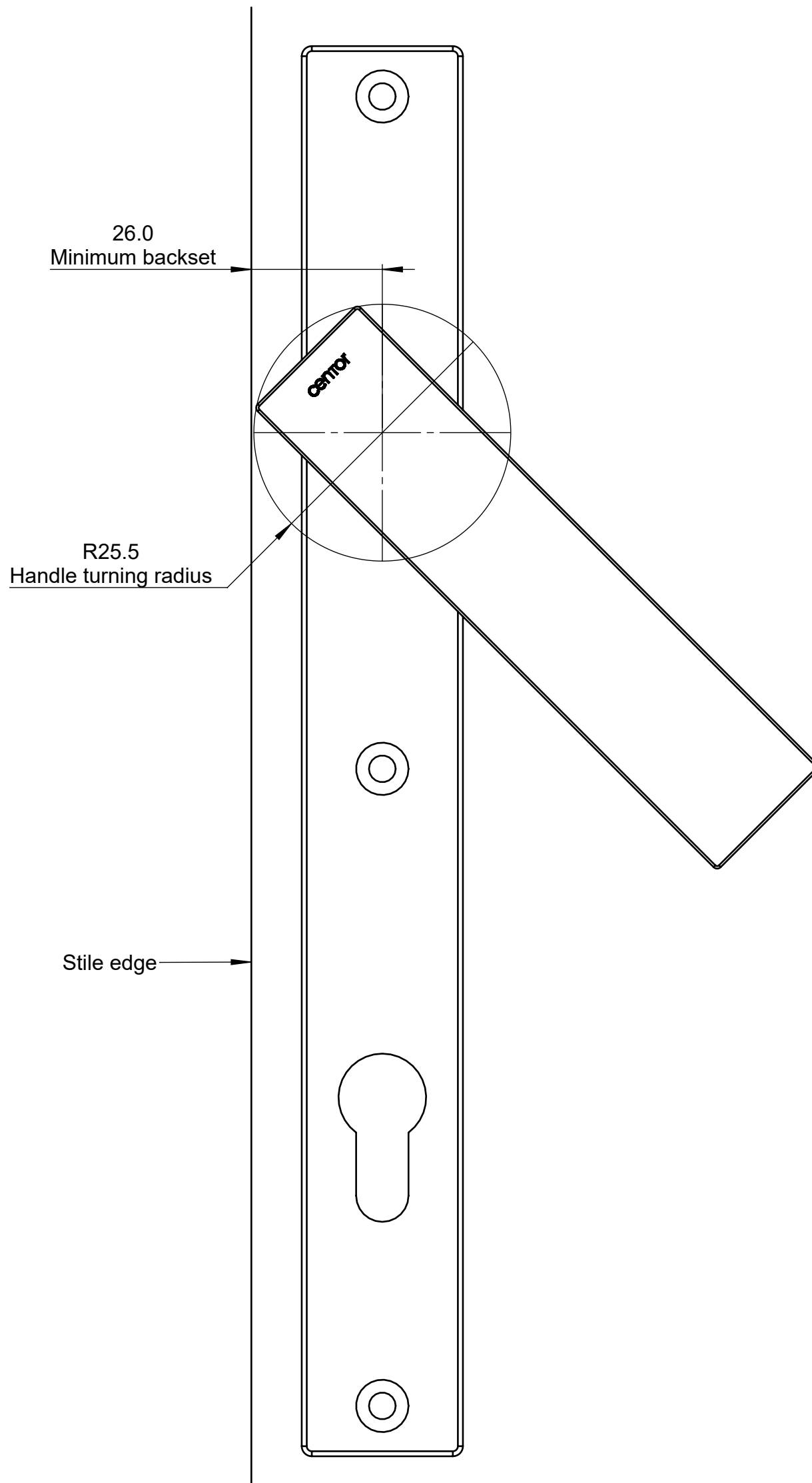


SINGLE HANDLE NON-KEYED

Handle item number	A (internal)
TPL-002-C-*	20.5mm
TPL-002-E-*	24.5mm
TPL-002-G-*	29.5mm



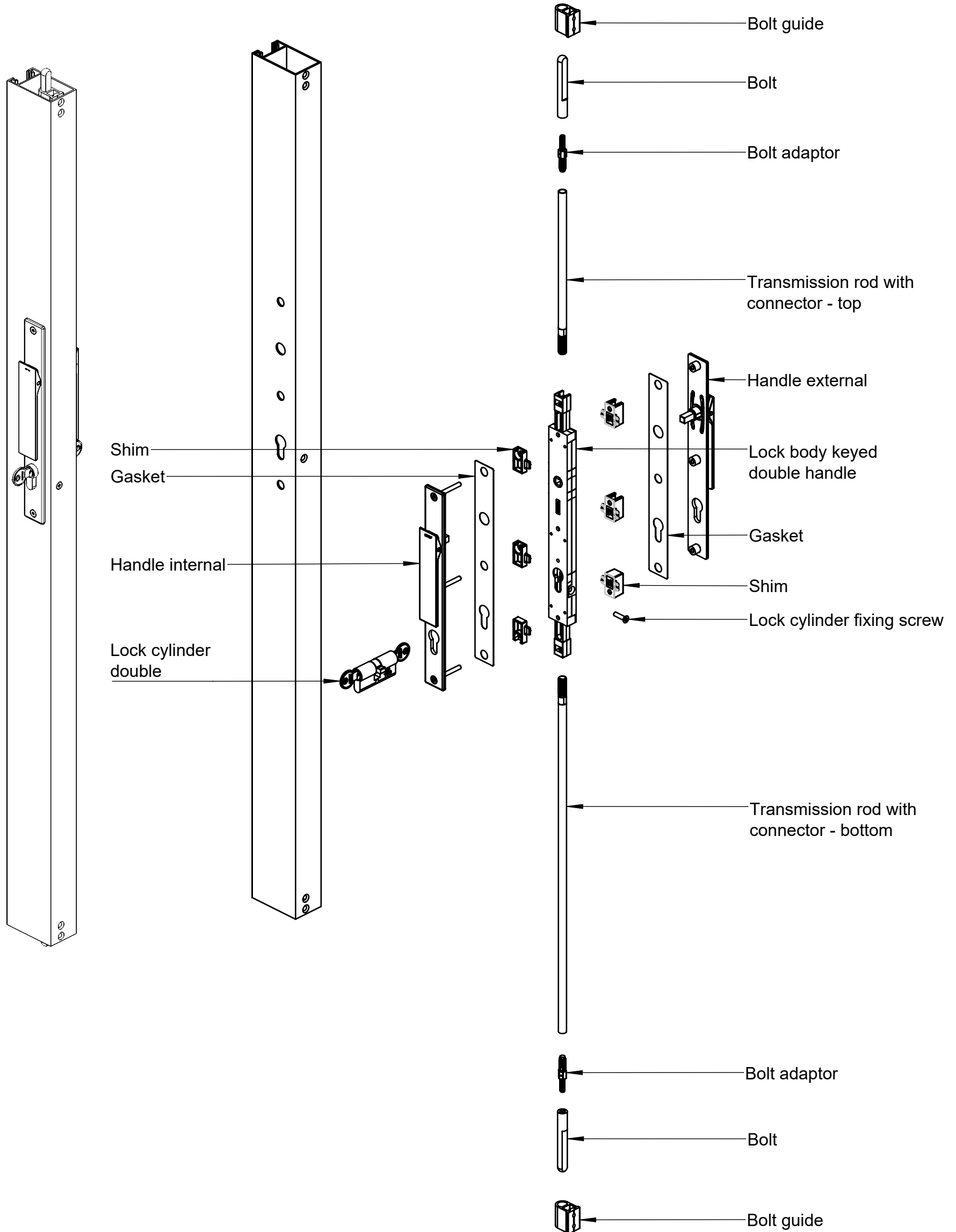
HANDLE BACKSET DETAIL



Notes:
Keyed handle shown. Same requirements apply to non-keyed version.

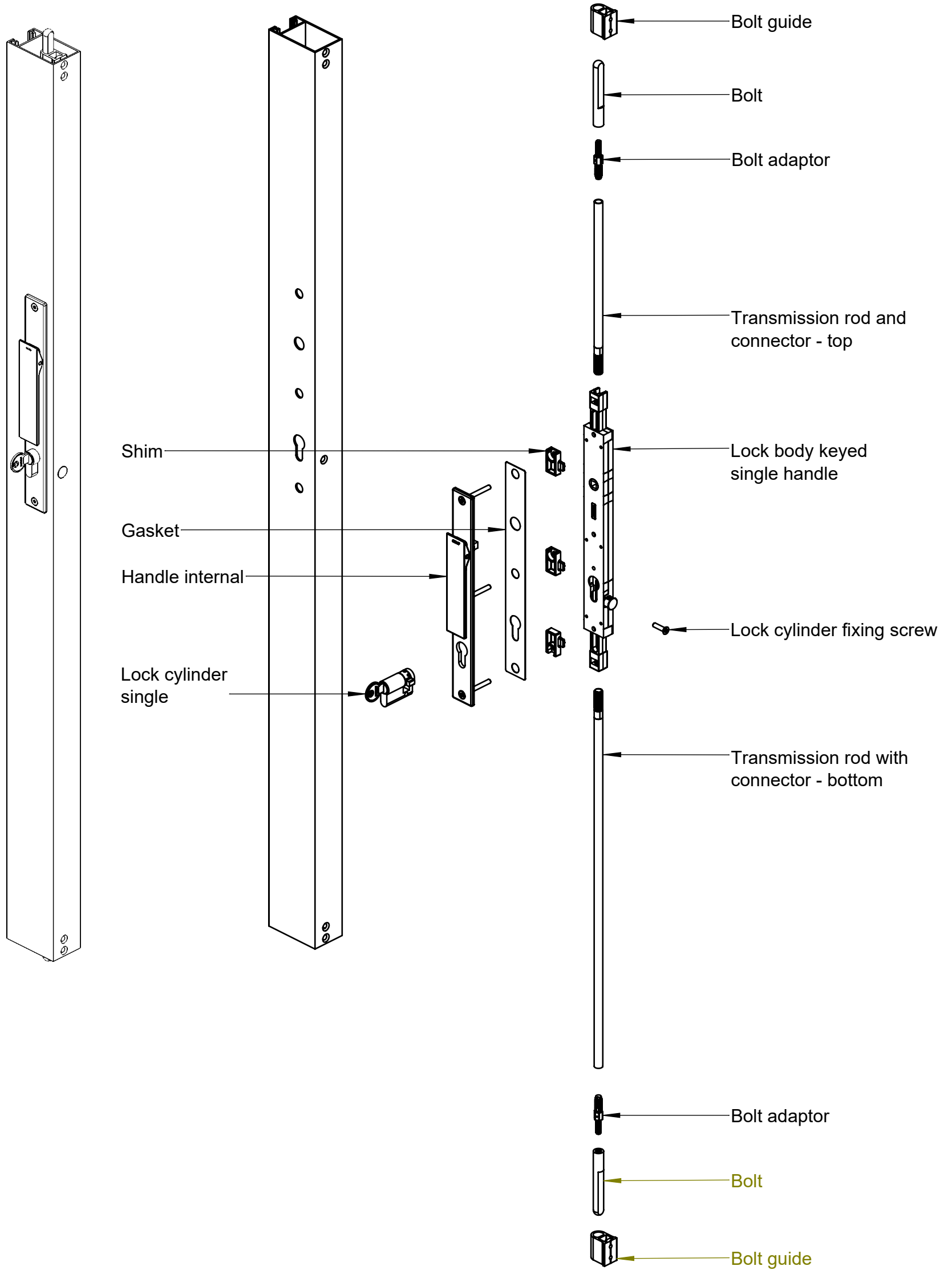
PRODUCT DETAIL

Hollow panel with TwinPoint Gen2 double handle keyed



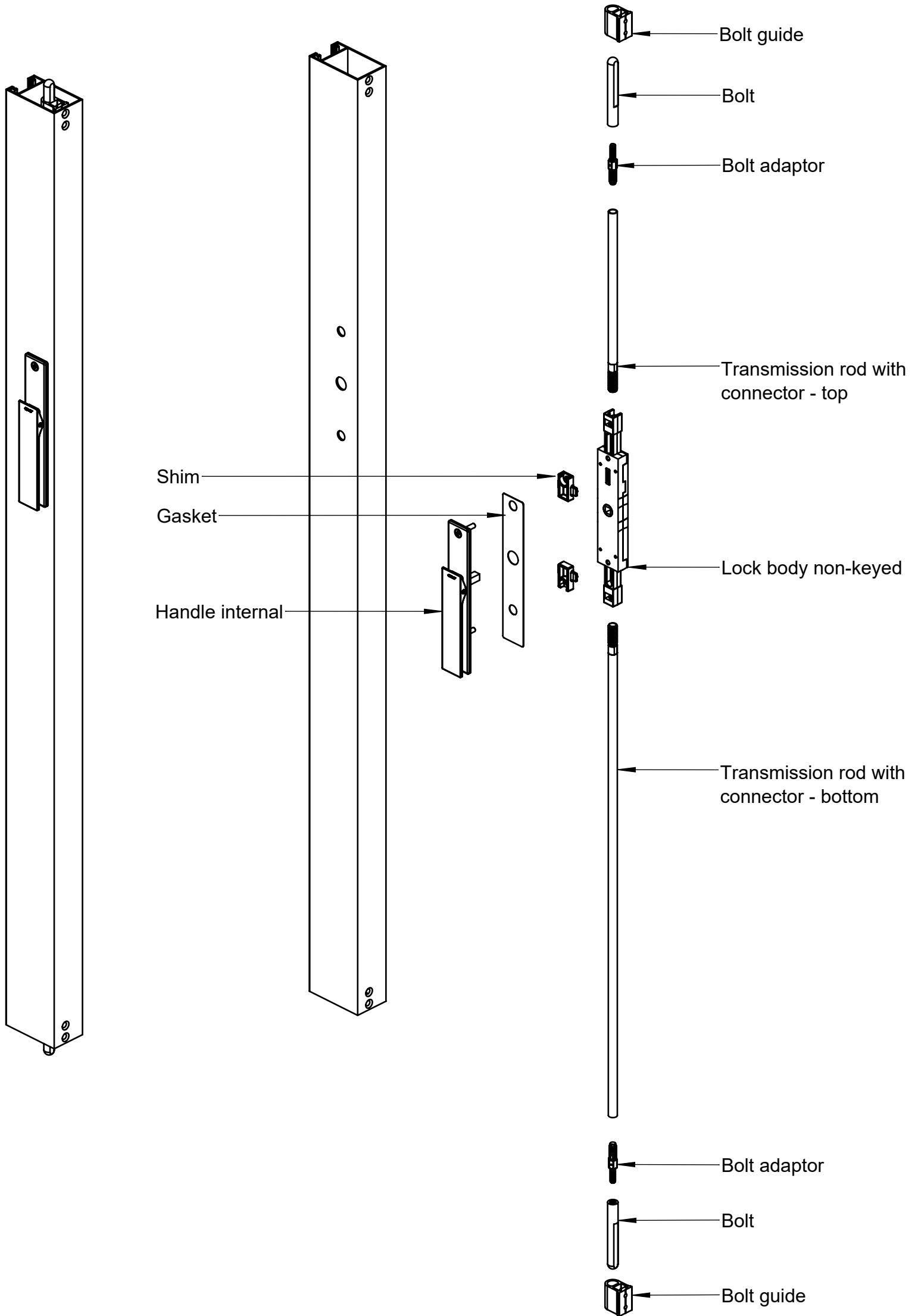
PRODUCT DETAIL

Hollow panels with TwinPoint Gen2 single handle keyed



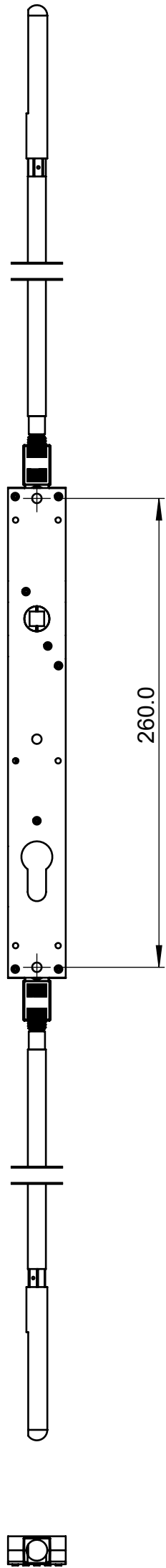
PRODUCT DETAIL

Hollow panels with TwinPoint Gen2 single handle non-keyed

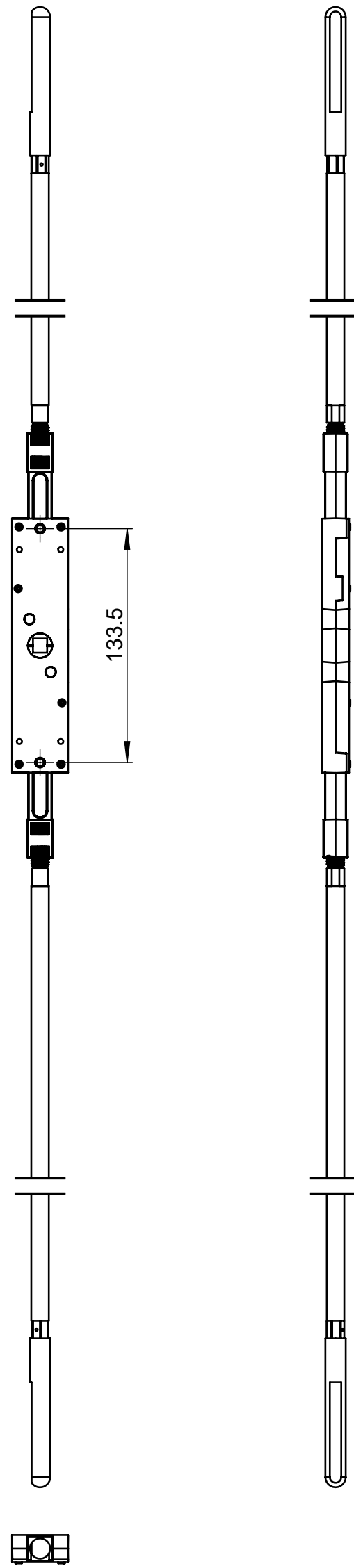


TwinPoint Gen2
ASSEMBLY DETAIL

Keyed



Non-keyed



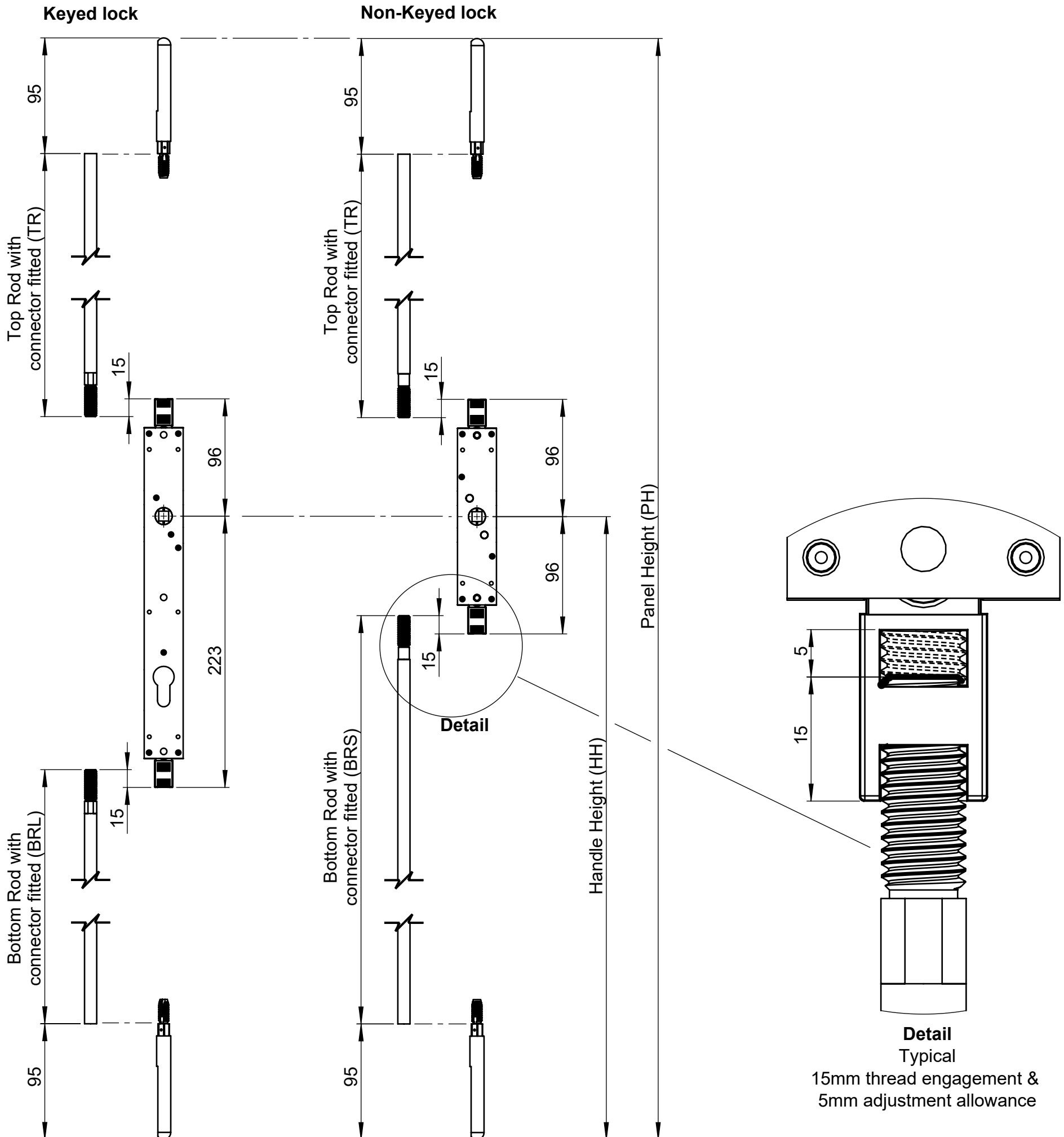
Notes:
Lock shown in extended state.

TRANSMISSION ROD LENGTH FORMULA

Transmission rods with attached bolt

Top	All	$TR = PH - HH - 176$
Bottom	Non keyed lock	$BRS = HH - 176$
	Keyed lock	$BRL = HH - 303$

Notes:
All dimensions in mm.

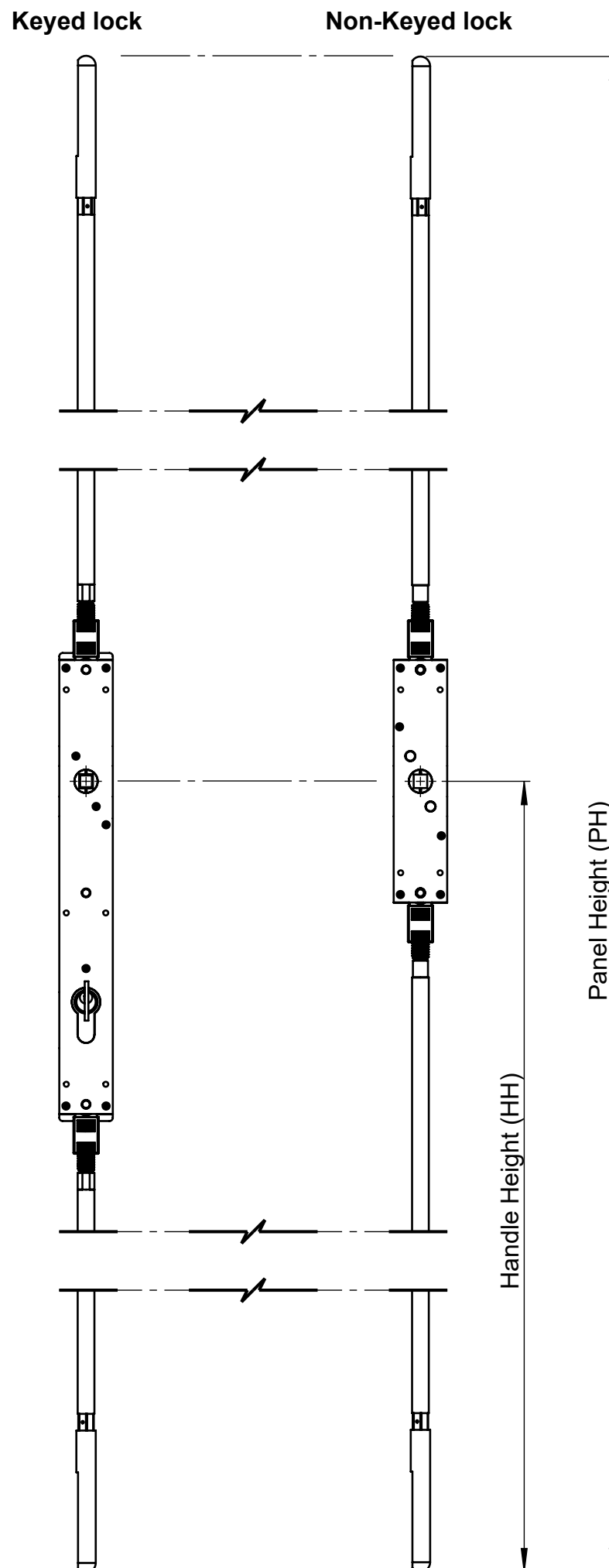


PANEL AND HANDLE HEIGHT LIMITS

Handle height			Panel height			
			Min	Max. with nominal transmission rod kit		
				2440	3050	4000
Standard	All locks	1040	1347	2622	3232	4182
Min	Non keyed lock	307	614	1889	2499	3449
	Keyed lock	434	741	2016	2626	3576
Max	Non keyed lock	1152	1459	2734	3344	4294
	Keyed lock	1279	1586	2861	3471	4421

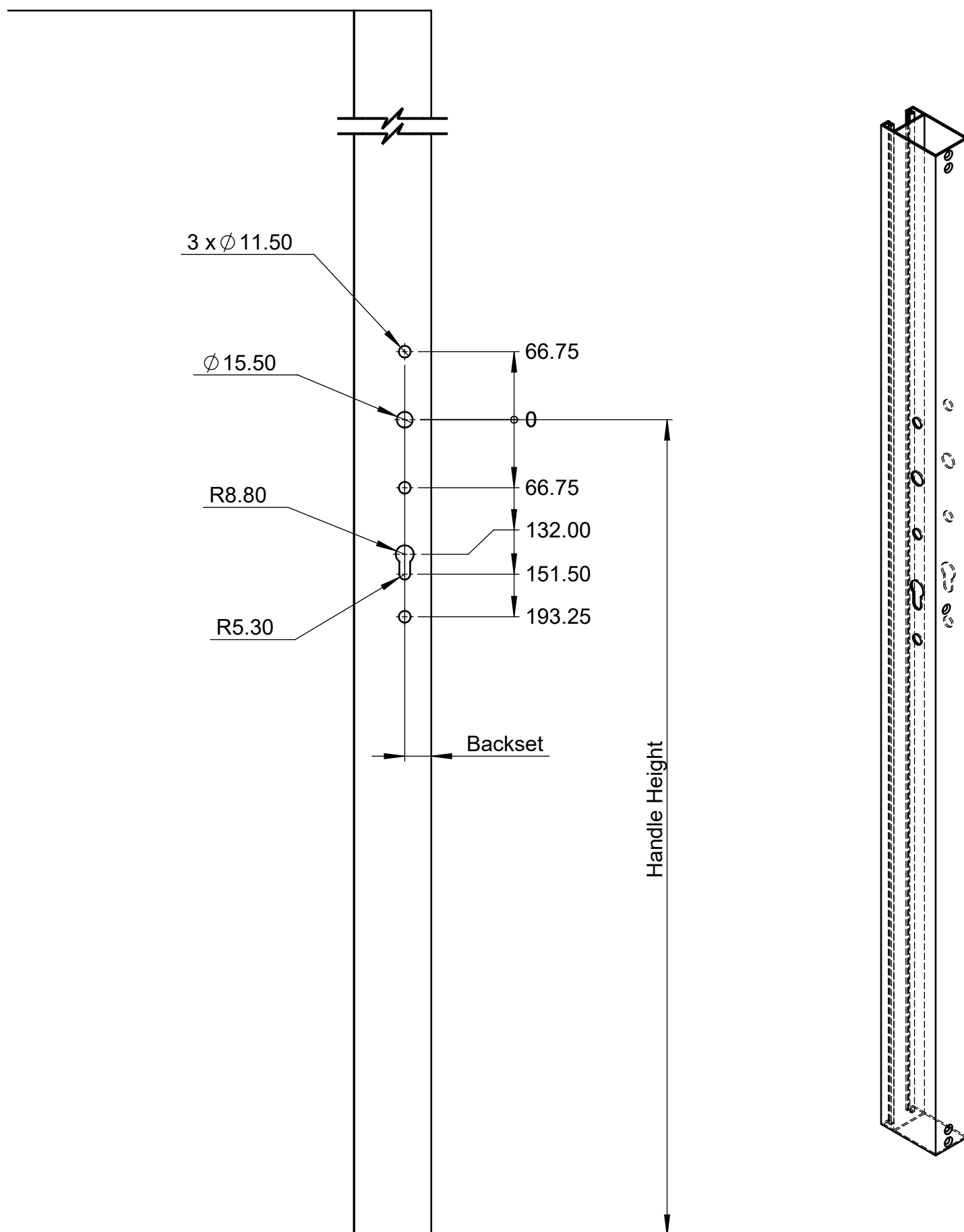
Notes:

1. All dimensions in mm.
2. The minimum handle and panel heights require the lock body and bolt guide to be aligned (refer page - LOCK BODY AND BOLT ALIGNMENT)



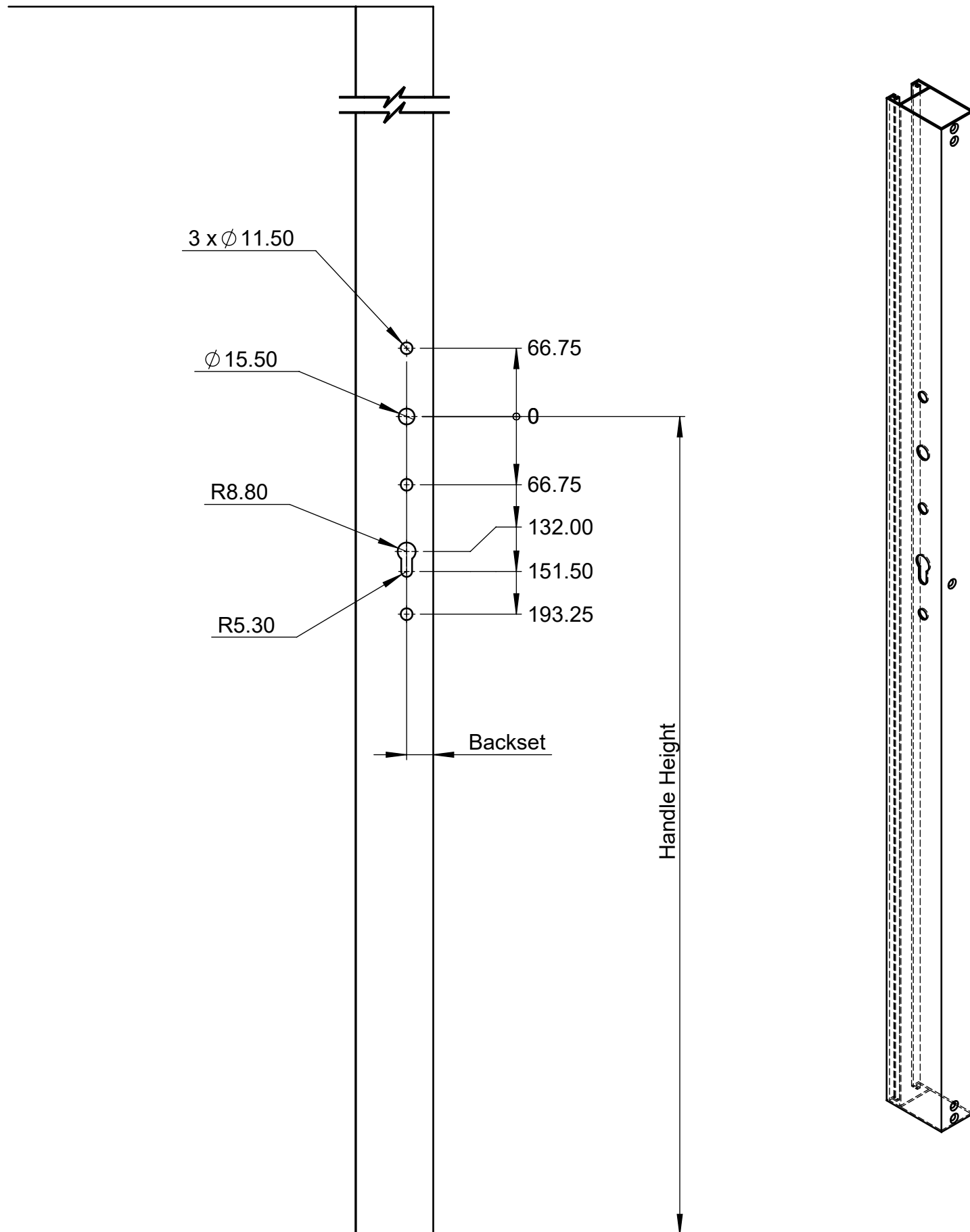
ROUTING DETAIL

Hollow panels with TwinPoint Gen2 double handle keyed



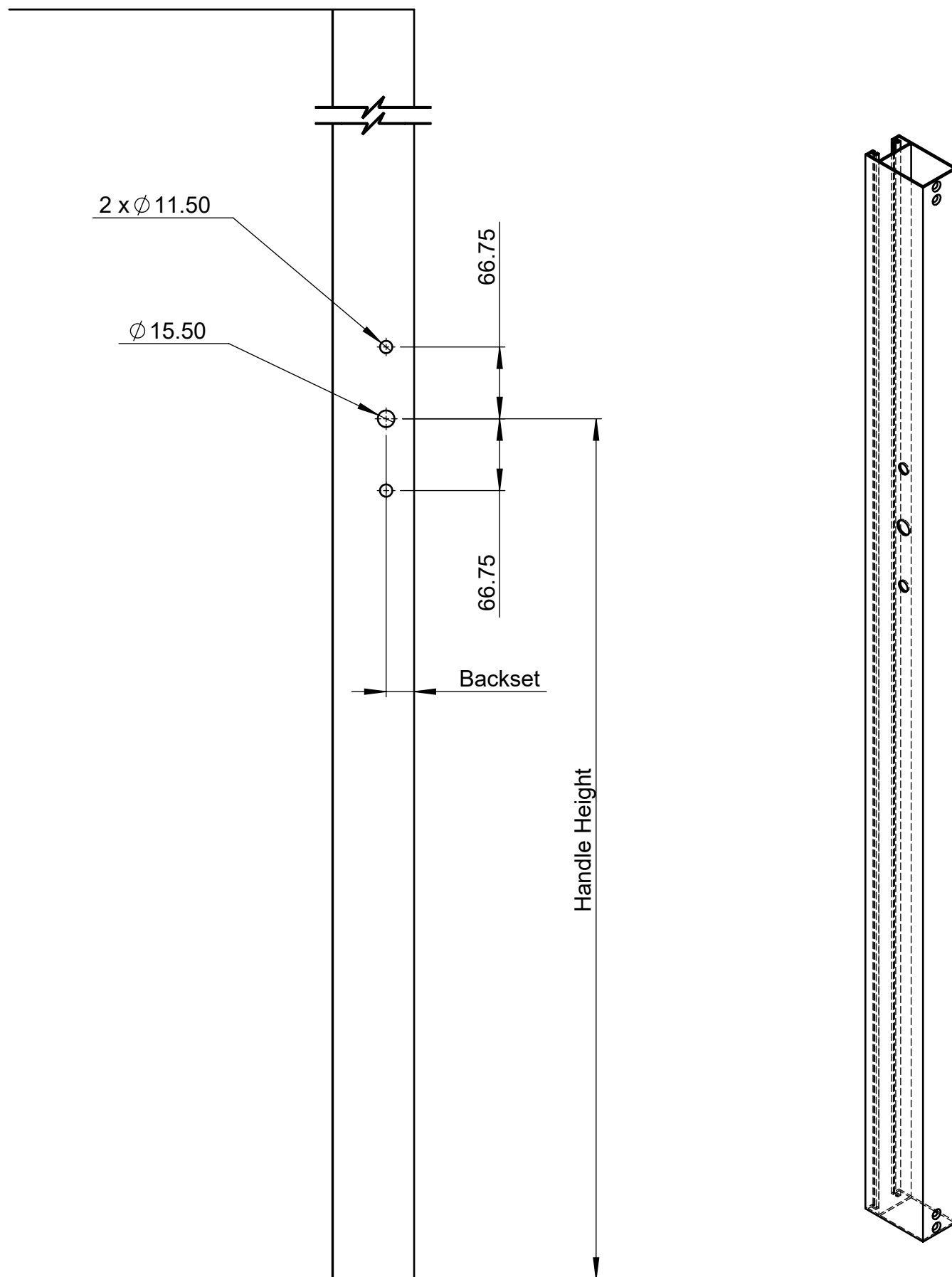
ROUTING DETAIL

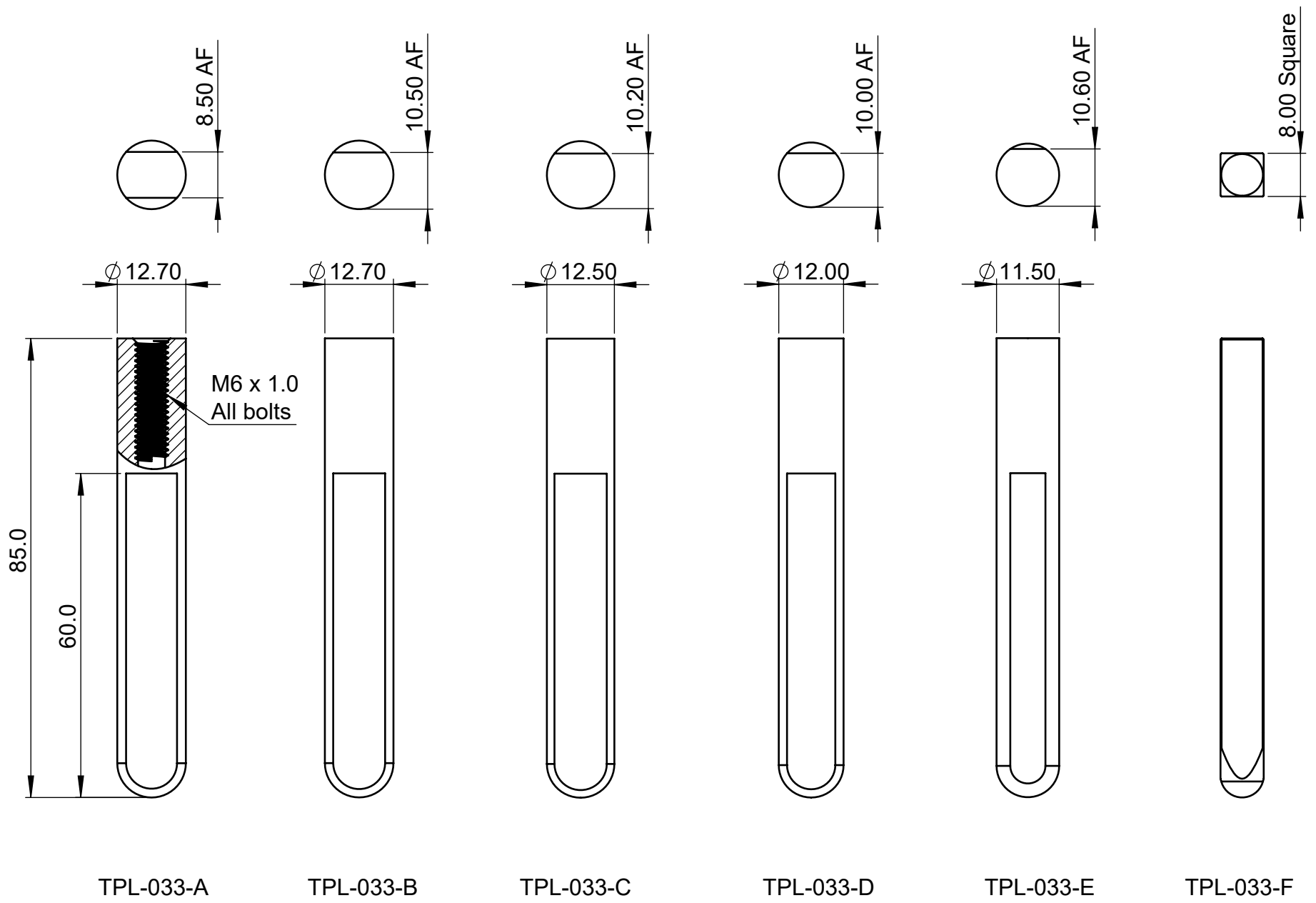
Hollow panels with TwinPoint Gen2 single handle keyed



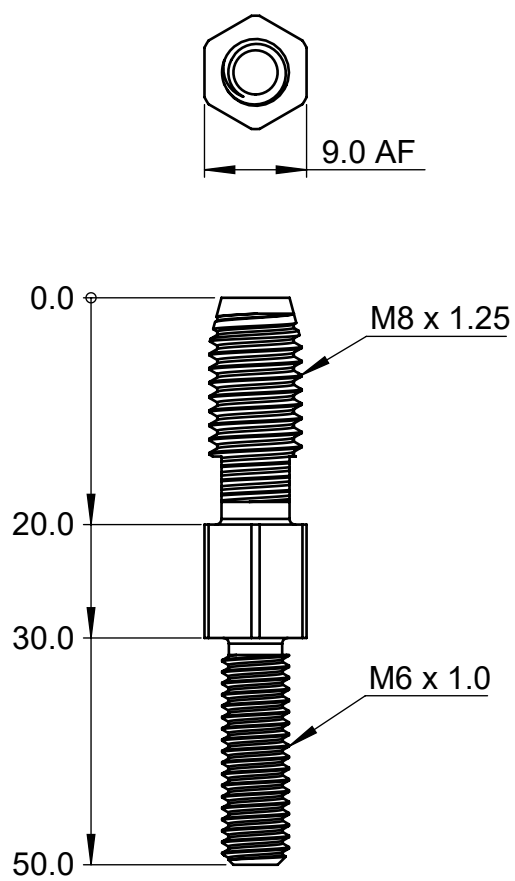
ROUTING DETAIL

Hollow panels with TwinPoint Gen2 single handle non-keyed

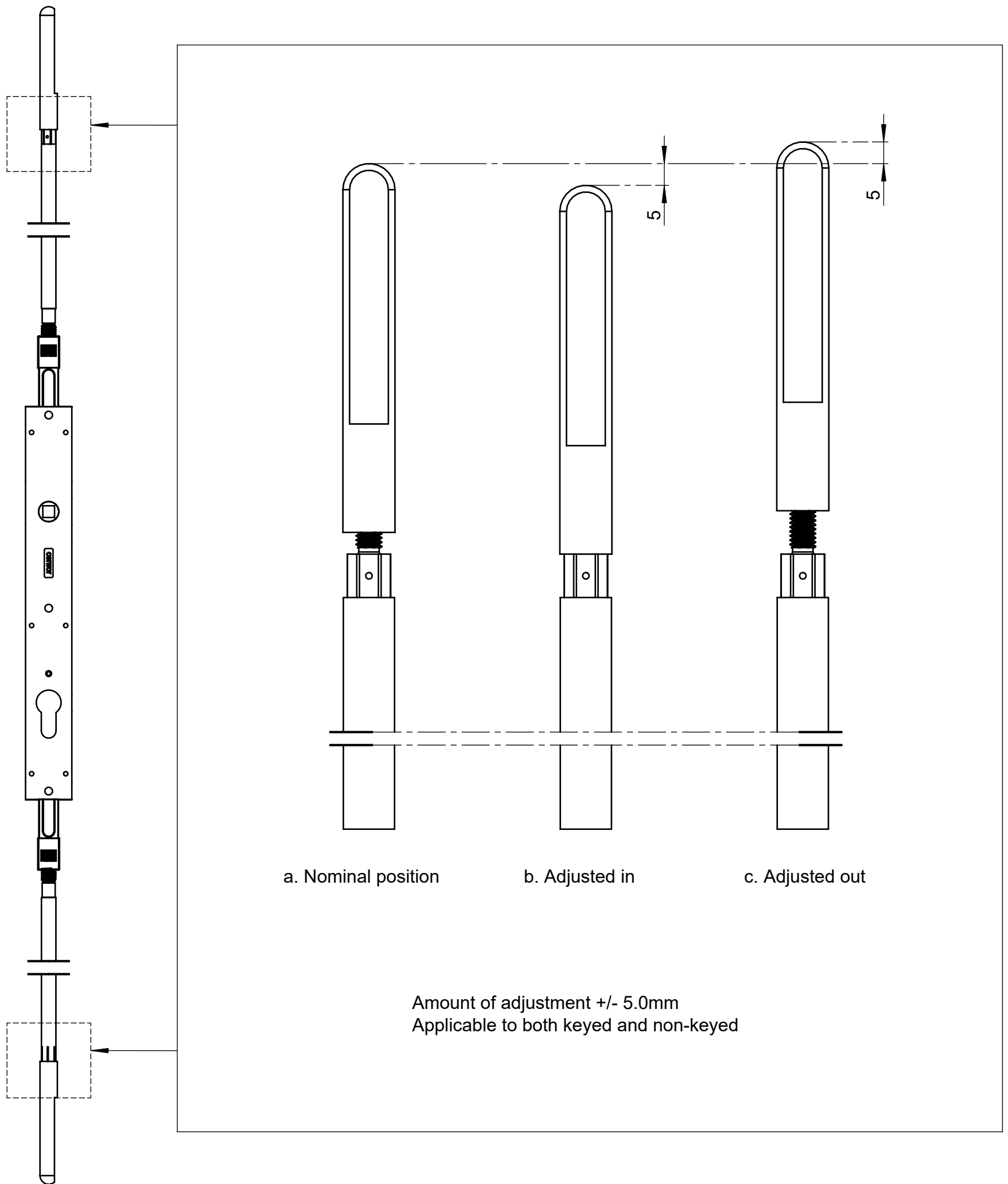




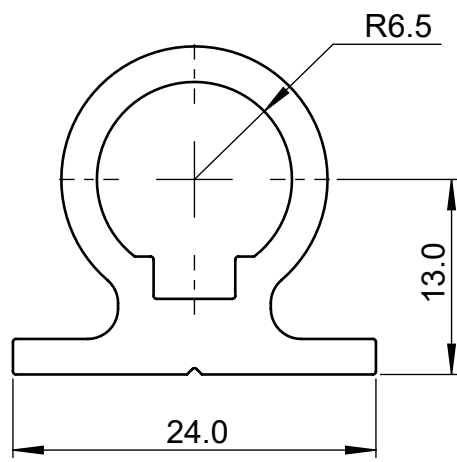
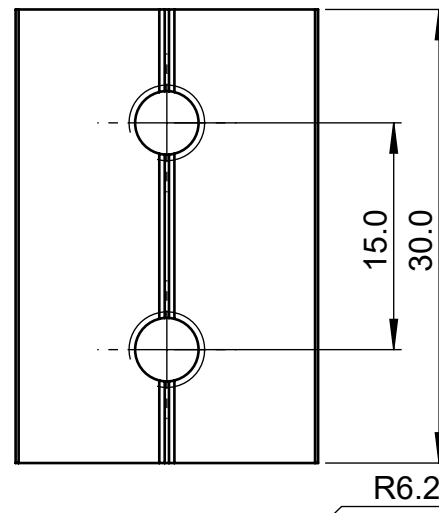
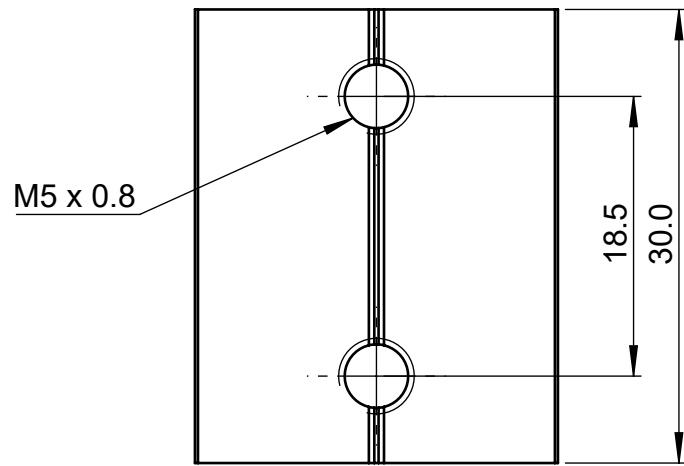
The bolt adaptor (supplied with any bolt)



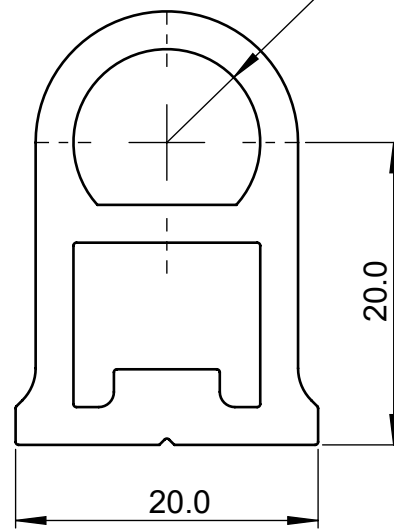
BOLT ADJUSTMENT DETAIL



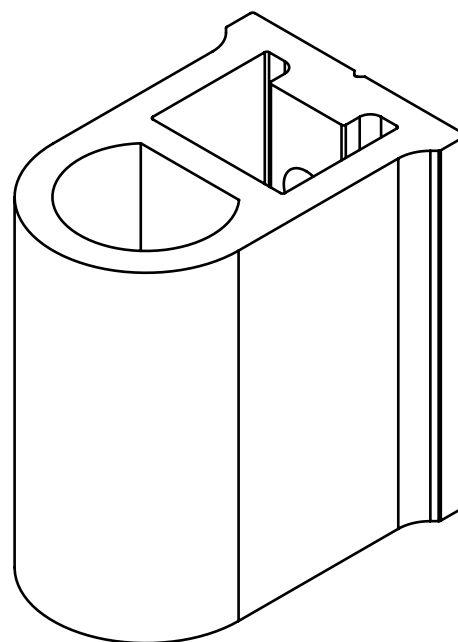
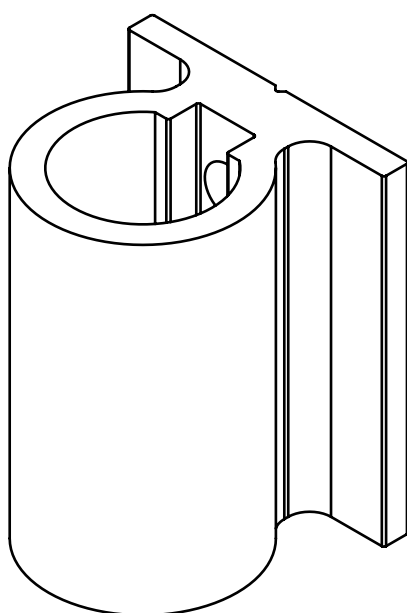
BOLT GUIDE DETAILS



TPL-034

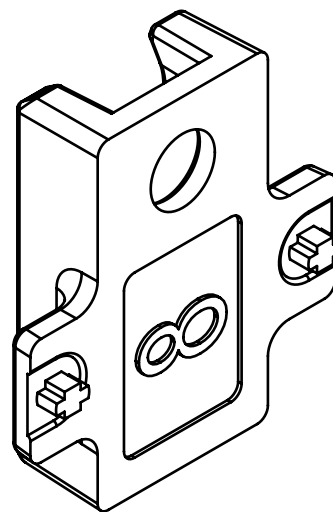
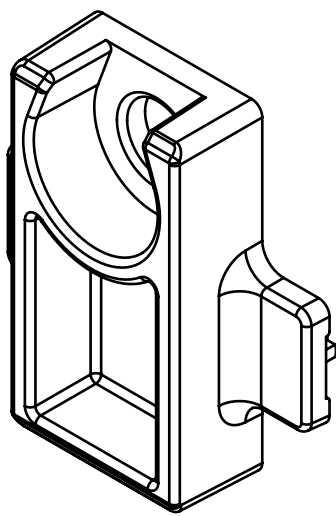
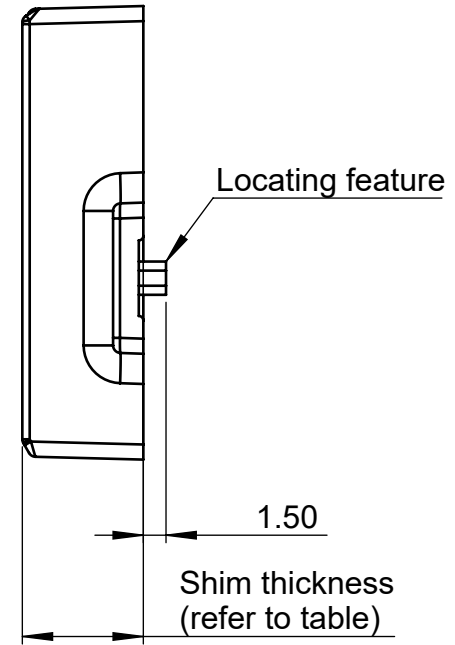
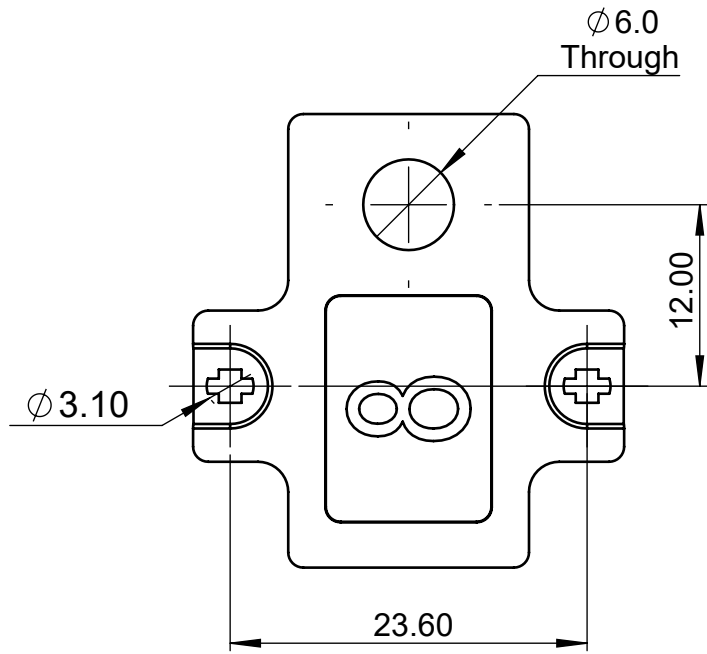


TPL-035



TwinPoint Gen2
SHIM DETAIL

Shim thickness
5mm
8mm
16mm

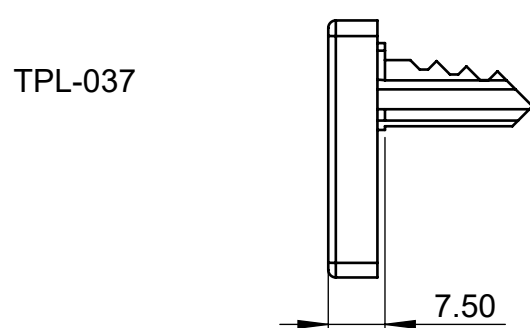
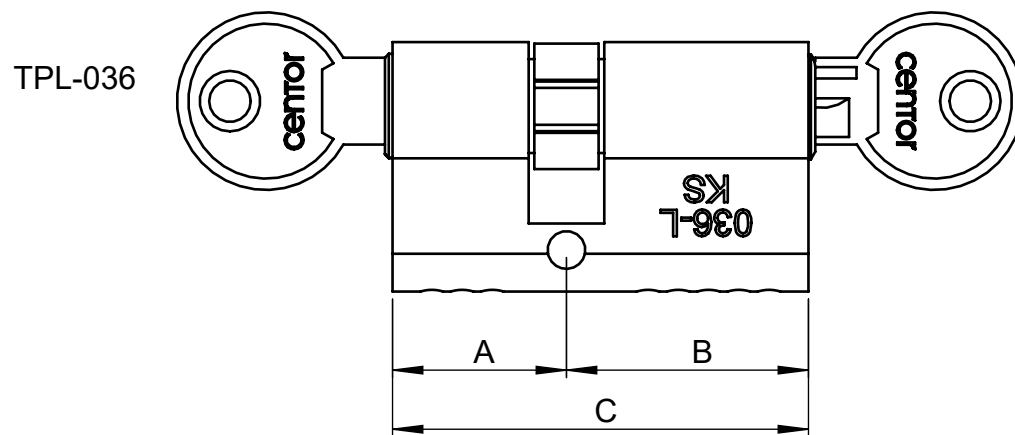
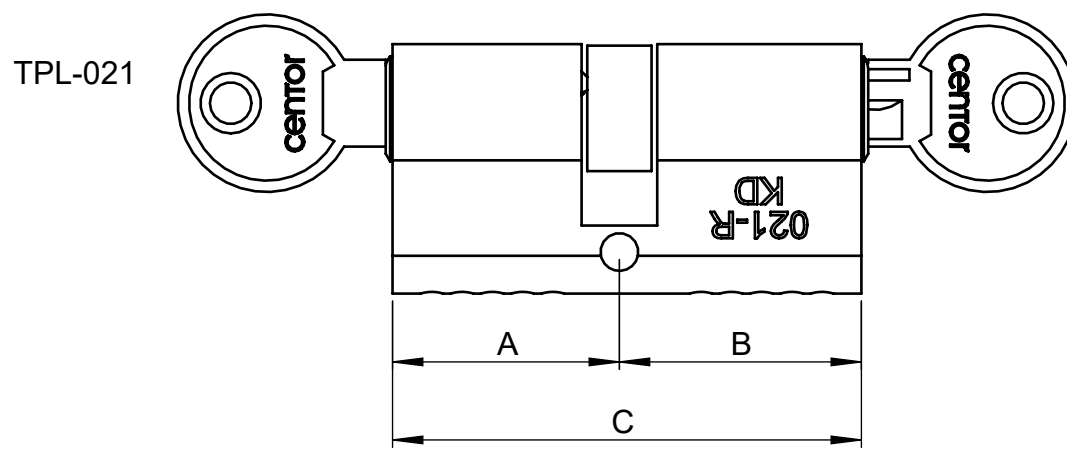
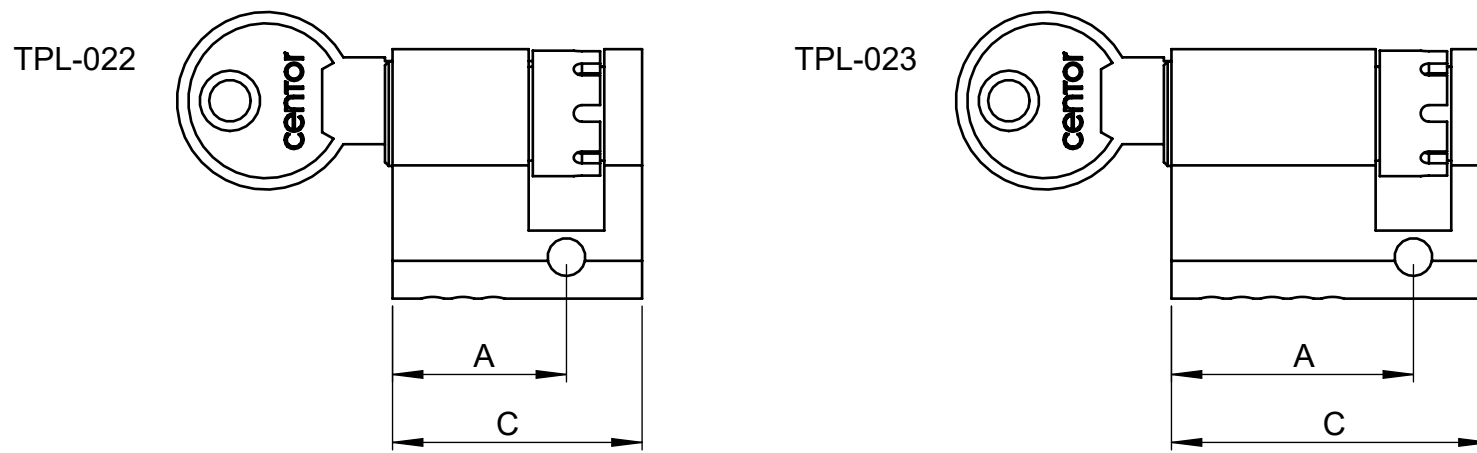


Notes:
 8mm shim shown.

LOCK CYLINDER DETAIL

Cylinder size

Cylinder type	Dimension (mm)		
	A	B	C
TPL-021	30	32	62
TPL-022	23	n/a	33
TPL-023	32	n/a	42
TPL-036	23	32	55



TPL-037 is a 3-pin key with a low profile thumb turn. It will not hit and dent the opposite stile if it is left in the lock. It can be used with cylinders TPL-022 and TPL-036.

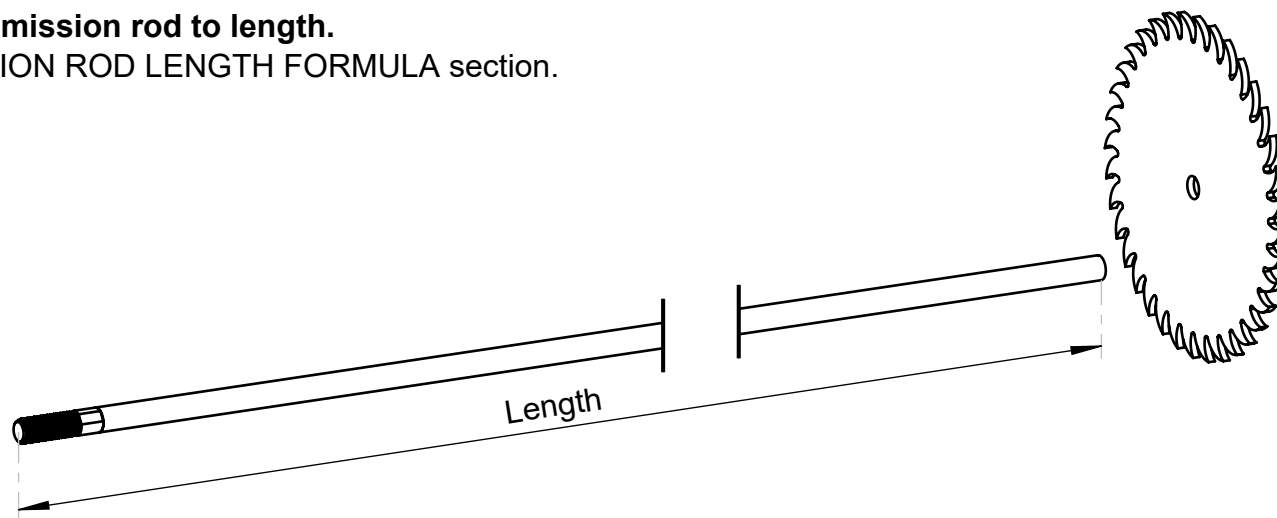
Notes:

1. Single cylinders TPL-022 and TPL-023 can be rehanding and the rehanding instruction is provided in the cylinder kit.

TRANSMISSION ROD AND BOLT ASSEMBLY

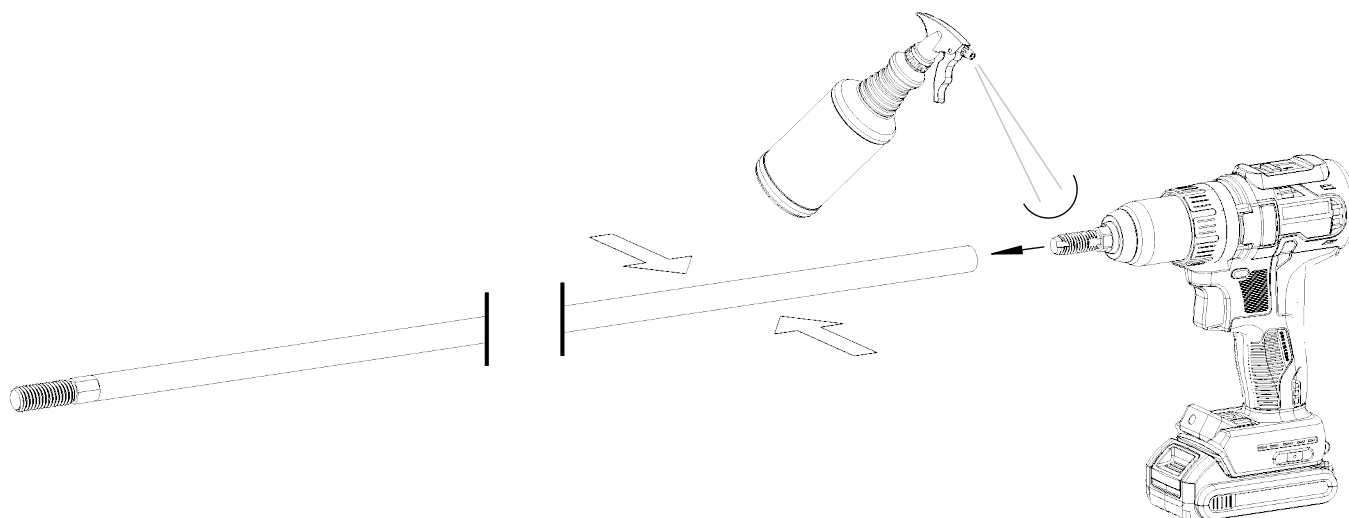
Step 1. Cut the transmission rod to length.

Refer to TRANSMISSION ROD LENGTH FORMULA section.



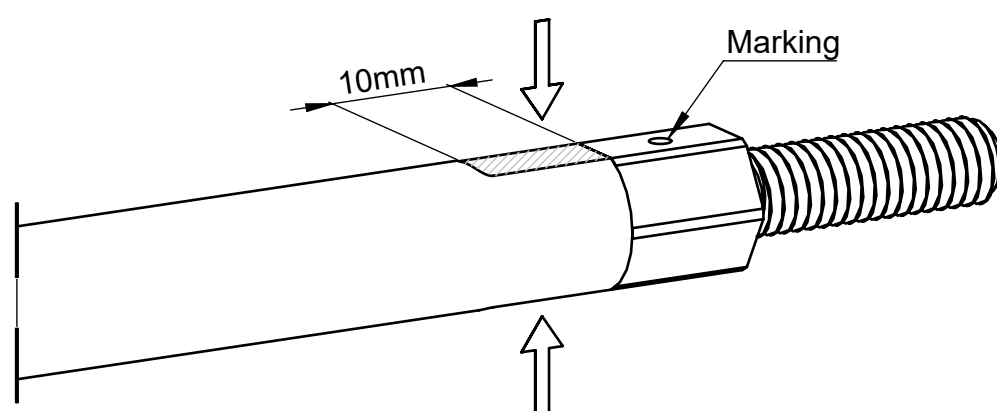
Step 2. Fit the bolt adaptor.

- Clamp the transmission rod so it doesn't rotate.
- Insert the adaptor into power drill and hold firmly - drill with 13mm or 1/2" chuck is recommended.
- Apply thread cutting fluid or WD40 to adaptor.
- Set the drill to low speed and high torque.
- Align the drill with transmission rod and drive adaptor into it until the adaptor bottoms out on its shoulder.



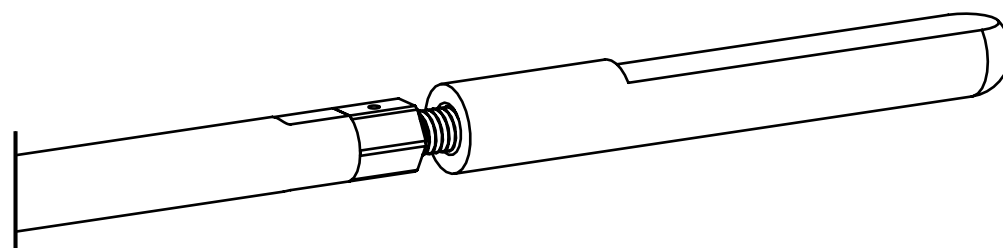
Step 3. Secure the bolt adaptor.

- Use a hammer to dent the tube to prevent the adaptor from rotating. Hit in line with the marking.
- Do the same on the opposite side.



Step 4. Fit the bolt.

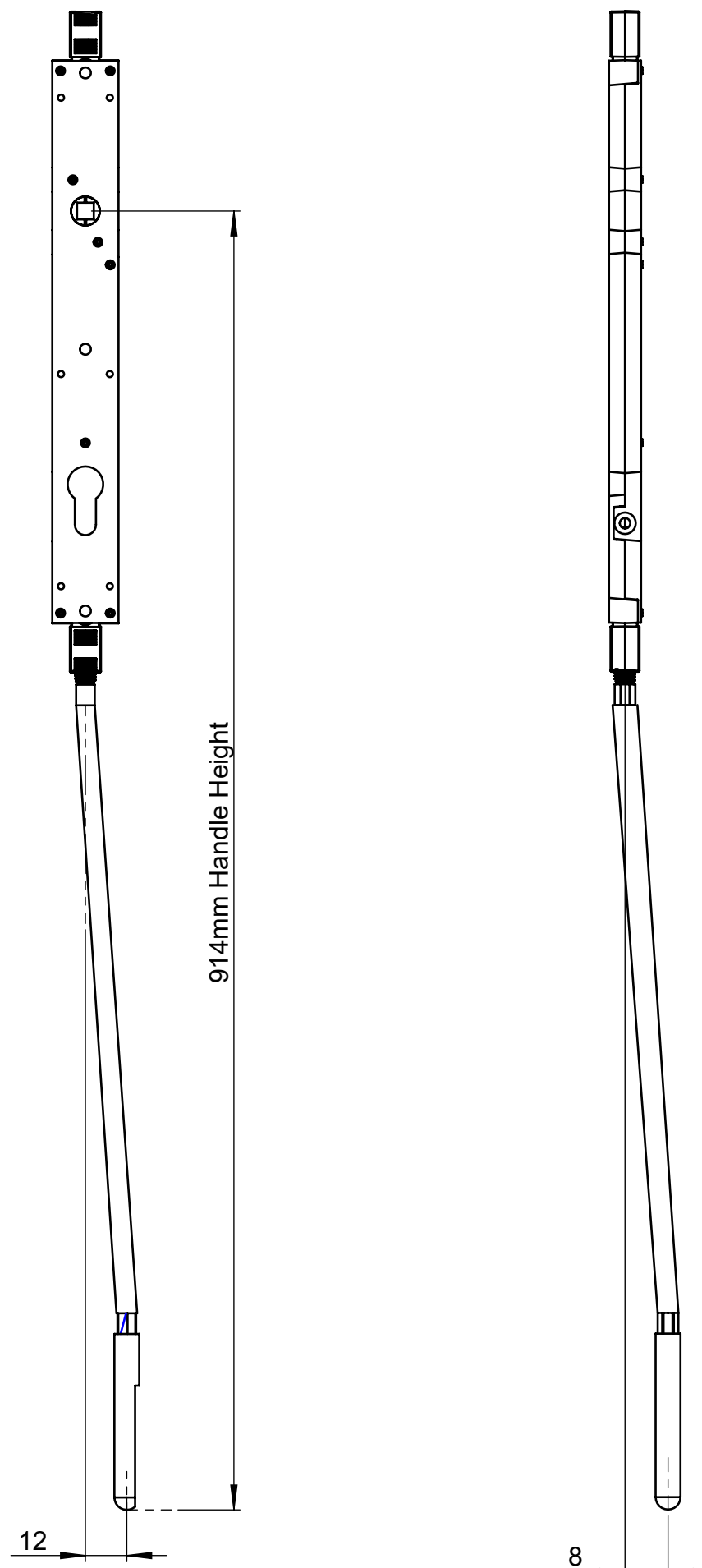
- Thread the bolt onto the adaptor.
- After lock installed, adjust the bolt in and out to suit the panel height - refer to **Bolt Adjustment Detail** section.



LOCK BODY AND BOLT ALIGNMENT

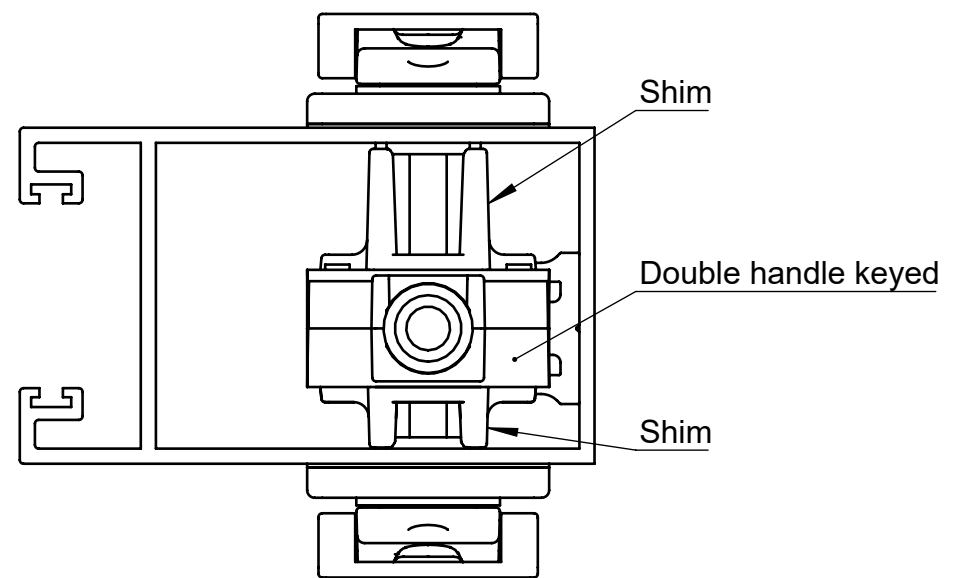
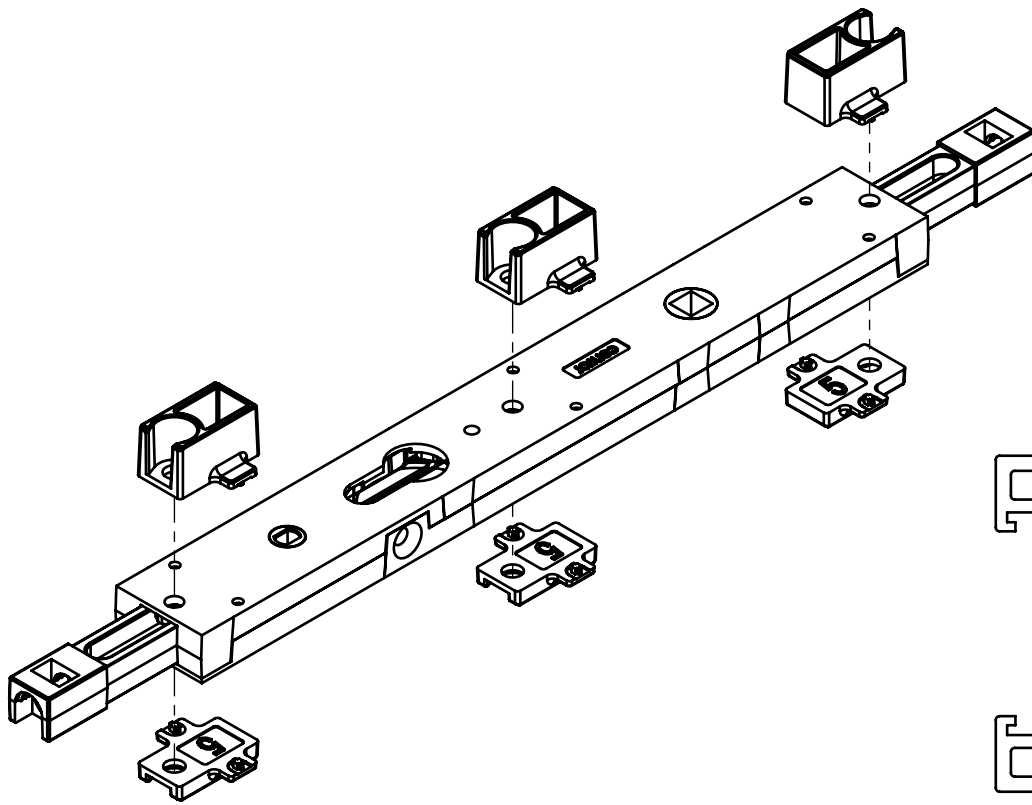
The lock body and bolt allow certain misalignment when fitted in hollow panel. The amount of misalignment is determined by the length of transmission rod.

As a guide, the following graphics show the allowable misalignment for handle height 914mm.

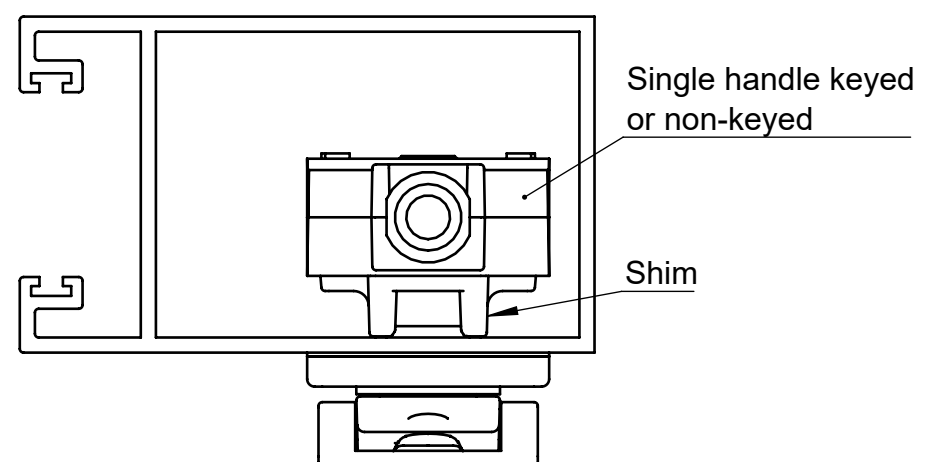
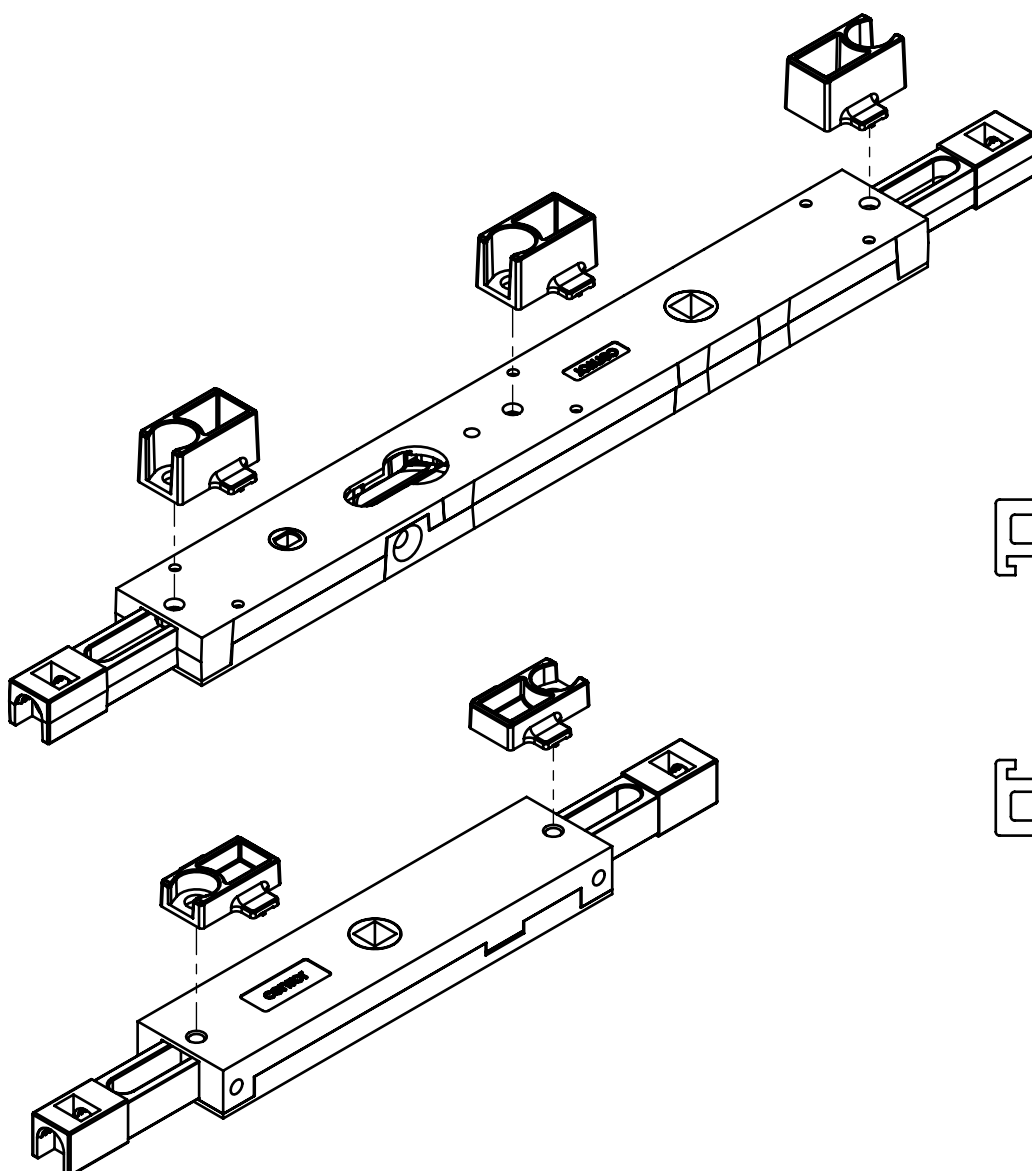


LOCK BODY AND SHIM ARRANGEMENT

Double handle keyed in hollow stile



Single handle keyed and non-keyed in hollow stile



Part	Item number	Item name
------	-------------	-----------

Single Handles - non-keyed

Contents
 1 x handle set, 1 x gasket, 2 x mounting screws

Outward opening

38, 40, 42 & 45mm thick panels - 20.5mm spindle depth

- TPL-002-C-S Single Handle H01 185mm, non-keyed, brushed stainless
- TPL-002-C-OL Single Handle H01 185mm, non-keyed, PVD black
- TPL-002-C-TG Single Handle H01 185mm, non-keyed, PVD brass

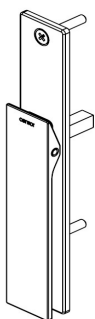
Inward opening

38 & 40mm thick panels - 24.5mm spindle depth

- TPL-002-E-S Single Handle H01 185mm, non-keyed, brushed stainless
- TPL-002-E-OL Single Handle H01 185mm, non-keyed, PVD black
- TPL-002-E-TG Single Handle H01 185mm, non-keyed, PVD brass

42 & 45mm thick panels - 29.5mm spindle depth

- TPL-002-G-S Single Handle H01 185mm, non-keyed, brushed stainless
- TPL-002-G-OL Single Handle H01 185mm, non-keyed, PVD black
- TPL-002-G-TG Single Handle H01 185mm, non-keyed, PVD brass



Single handles - keyed

Contents
 1 x handle set, 1 x gasket, 2 x mounting screws

Outward opening

38, 40, 42 & 45mm thick panels - 20.5mm spindle depth

- TPL-024-C-S Single Handle H01 280mm, keyed, brushed stainless
- TPL-024-C-OL Single Handle H01 280mm, keyed, PVD black
- TPL-024-C-TG Single Handle H01 280mm, keyed, PVD brass

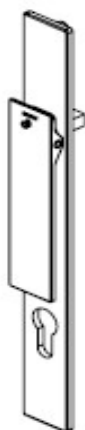
Inward opening

38 & 40mm thick panels - 24.5mm spindle depth

- TPL-024-E-S Single Handle H01 280mm, keyed, brushed stainless
- TPL-024-E-OL Single Handle H01 280mm, keyed, PVD black
- TPL-024-E-TG Single Handle H01 280mm, keyed, PVD brass

42 & 45mm thick panels - 29.5mm spindle depth

- TPL-024-G-S Single Handle H01 280mm, keyed, brushed stainless
- TPL-024-G-OL Single Handle H01 280mm, keyed, PVD black
- TPL-024-G-TG Single Handle H01 280mm, keyed, PVD brass



Part	Item number	Item name
------	-------------	-----------

Double handles - keyed

Contents
 1 x internal handle set, 1 x external handle set, 2 x gasket, 3 x mounting screws

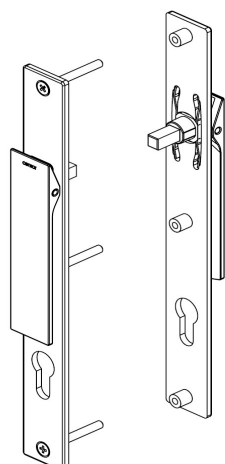
Outward opening

38 & 40mm thick panels - 16.5mm-20.5mm spindle depth

- TPL-001-AC-S Double Handle H01 280mm, keyed, brushed stainless
- TPL-001-AC-OL Double Handle H01 280mm, keyed, PVD black
- TPL-001-AC-TG Double Handle H01 280mm, keyed, PVD brass

42 & 45mm thick panels - 16.5mm-24.5mm spindle depth

- TPL-001-AE-S Double Handle H01 280mm, keyed, brushed stainless
- TPL-001-AE-OL Double Handle H01 280mm, keyed, PVD black
- TPL-001-AE-TG Double Handle H01 280mm, keyed, PVD brass



Inward opening

38 & 40mm thick panels - 20.5mm-16.5mm spindle depth

- TPL-001-CA-S Double Handle H01 280mm, keyed, brushed stainless
- TPL-001-CA-OL Double Handle H01 280mm, keyed, PVD black
- TPL-001-CA-TG Double Handle H01 280mm, keyed, PVD brass

42 & 45mm thick panels - 24.5mm-16.5mm spindle depth

- TPL-001-EA-S Double Handle H01 280mm, keyed, brushed stainless
- TPL-001-EA-OL Double Handle H01 280mm, keyed, PVD black
- TPL-001-EA-TG Double Handle H01 280mm, keyed, PVD brass

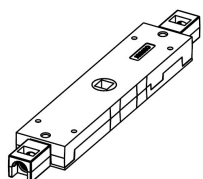
Lock bodies

Contents
 1 x lock body

For single handle

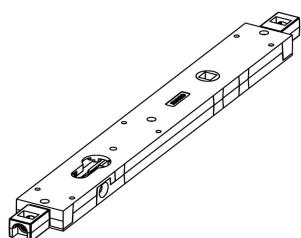
Non-keyed

- TPL-004 Lock body to suit single handle 185mm, non-keyed



Keyed

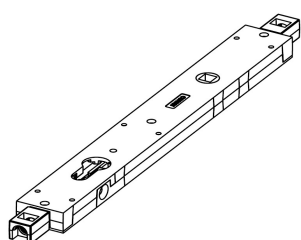
- TPL-025 Lock body to suit single handle 280mm, keyed



For double handle

Keyed

- TPL-003 Lock body to suit double handle 280mm, keyed



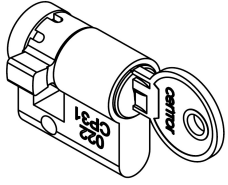
Part	Item number	Item name
------	-------------	-----------

Single Lock Cylinders

3 pin 23mm

Contents

1 x cylinder, 3 x 5-pin key, 1 x 20mm long cylinder screw, 1 x Rehanding instruction.



Keyed alike

TPL-022-KA-US15 Lock cylinder Euro single C4 3 pin 23mm, satin nickle

TPL-022-KA-MB Lock cylinder Euro single C4 3 pin 23mm, matt black

TPL-022-KA-TG Lock cylinder Euro single C4 3 pin 23mm, PVD brass

Keyed different

TPL-022-KD-US15 Lock cylinder Euro single C4 3 pin 23mm, satin nickle

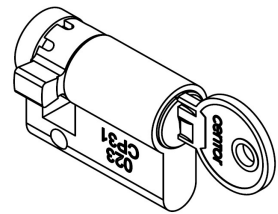
TPL-022-KD-MB Lock cylinder Euro single C4 3 pin 23mm, matt black

TPL-022-KD-TG Lock cylinder Euro single C4 3 pin 23mm, PVD brass

5 pin 32mm

Contents

1 x cylinder, 3 x 5-pin key, 1 x 20mm long cylinder screw, 1 x Rehanding instruction.



Keyed alike

TPL-023-KA-US15 Lock cylinder Euro single C4 5 pin 32mm, satin nickle

TPL-023-KA-MB Lock cylinder Euro single C4 5 pin 32mm, matt black

TPL-023-KA-TG Lock cylinder Euro single C4 5 pin 32mm, PVD brass

Keyed different

TPL-023-KD-US15 Lock cylinder Euro single C4 5 pin 32mm, satin nickle

TPL-023-KD-MB Lock cylinder Euro single C4 5 pin 32mm, matt black

TPL-023-KD-TG Lock cylinder Euro single C4 5 pin 32mm, PVD brass

Part	Item number	Item name
------	-------------	-----------

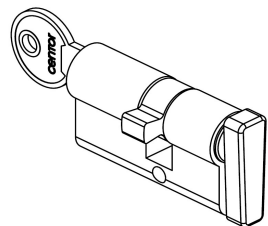
Double lock cylinders

3/5 pin 55mm (23-32) with removable thumb turn

Contents

1 x cylinder, 2 x 3-Pin key, 2 x 3-Pin thumb turn, 2 x 5-pin key, 1 x 20mm long cylinder screw

Keyed special - left hand



TPL-036-L-KS-US15 Lock cylinder Euro double C4 3/5 pin 55mm (23-32) left hand, satin nickle

TPL-036-L-KS-MB Lock cylinder Euro double C4 3/5 pin 55mm (23-32) left hand, matt black

TPL-036-L-KS-TG Lock cylinder Euro double C4 3/5 pin 55mm (23-32) left hand, PVD brass

Keyed special - right hand

TPL-036-R-KS-US15 Lock cylinder Euro double C4 3/5 pin 55mm (23-32) right hand, satin nickle

TPL-036-R-KS-MB Lock cylinder Euro double C4 3/5 pin 55mm (23-32) right hand, matt black

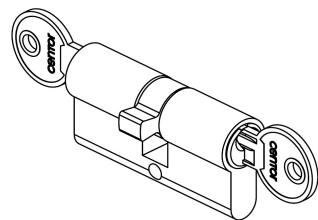
TPL-036-R-KS-TG Lock cylinder Euro double C4 3/5 pin 55mm (23-32) right hand, PVD brass

5 pin 62mm (30-32)

Contents

1 x cylinder, 3 x 5-pin key, 1 x 20mm long cylinder screw

Keyed different - left hand



TPL-021-L-KD-US15 Lock cylinder Euro double C4 5 pin 62mm (30-32) left hand, satin nickle

TPL-021-L-KD-MB Lock cylinder Euro double C4 5 pin 62mm (30-32) left hand, matt black

TPL-021-L-KD-TG Lock cylinder Euro double C4 5 pin 62mm (30-32) left hand, PVD brass

Keyed different - right hand

TPL-021-R-KD-US15 Lock cylinder Euro double C4 5 pin 62mm (30-32) right hand, satin nickle

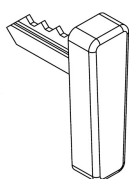
TPL-021-R-KD-MB Lock cylinder Euro double C4 5 pin 62mm (30-32) right hand, matt black

TPL-021-R-KD-TG Lock cylinder Euro double C4 5 pin 62mm (30-32) right hand, PVD brass

Spare thumb turn

Contents

1 x 3-pin thumb turn



3 pin removable thumb turn

TPL-037-KA-US15 Thumb turn 3 pin, satin nickle

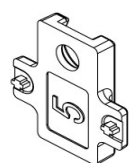
TPL-037-KA-MB Thumb turn 3 pin, matt black

TPL-037-KA-TG Thumb turn 3 pin, PVD brass

Part	Item number	Item name
------	-------------	-----------

Shims

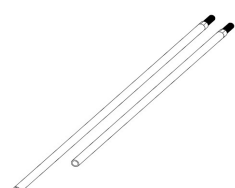
Contents
10 or 50 x shims



<u>5mm</u>	
TPL-038-05-50	Shim 5mm (bag of 50)
TPL-038-05-10	Shim 5mm (bag of 10)
<u>8mm</u>	
TPL-038-08-50	Shim 8mm (bag of 50)
TPL-038-08-10	Shim 8mm (bag of 10)
<u>16mm</u>	
TPL-038-16-50	Shim 16mm (bag of 50)
TPL-038-16-10	Shim 16mm (bag of 10)

Transmission rod sets

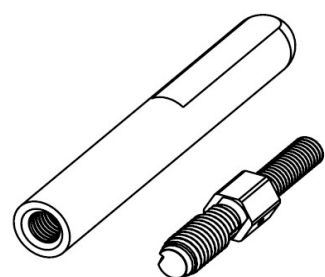
Contents
2 x transmission rod with connector attached (one short, one long),



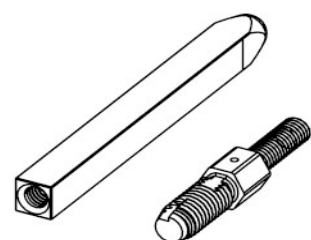
<u>2440mm high panel</u>	
TPL-041-24	Transmission rod set hollow panels 2440mm panel
<u>3050mm high panel</u>	
TPL-041-30	Transmission rod set hollow panels 3050mm panel
<u>4000mm high panel</u>	
TPL-041-40	Transmission rod set hollow panels 4000mm panel

Bolt and adaptor kits

Contents
n x bolt and adaptor



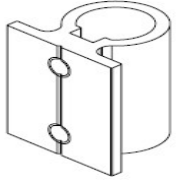
Round	
<u>12.7mm</u>	
TPL-033-B-02	Bolt and adaptor kit, 12.7 diameter, single flat, stainless steel (bag of 2)
TPL-033-B-20	Bolt and adaptor kit, 12.7 diameter, single flat, stainless steel (bag of 20)
TPL-033-A-02	Bolt and adaptor kit, 12.7 diameter, double flat, stainless steel (bag of 2)
TPL-033-A-20	Bolt and adaptor kit, 12.7 diameter, double flat, stainless steel (bag of 20)
<u>12.5mm</u>	
TPL-033-C-02	Bolt and adaptor kit, 12.5 diameter, single flat, stainless steel (bag of 2)
TPL-033-C-20	Bolt and adaptor kit, 12.5 diameter, single flat, stainless steel (bag of 20)
<u>12.0mm</u>	
TPL-033-D-02	Bolt and adaptor kit, 12.0 diameter, single flat, stainless steel (bag of 2)
TPL-033-D-20	Bolt and adaptor kit, 12.0 diameter, single flat, stainless steel (bag of 20)
<u>11.5mm</u>	
TPL-033-E-02	Bolt and adaptor kit, 11.5 diameter, single flat, stainless steel (bag of 2)
TPL-033-E-20	Bolt and adaptor kit, 11.5 diameter, single flat, stainless steel (bag of 20)



Square	
<u>8.0mm</u>	
TPL-033-F-02	Bolt and adaptor kit, 8mm square, stainless steel (bag of 2)
TPL-033-F-20	Bolt and adaptor kit, 8mm square, stainless steel (bag of 20)

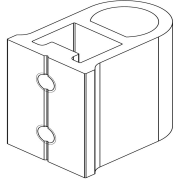
Part	Item number	Item name
Bolt guides		

Contents
n x bolt guide with 2 mounting screws each



13mm diameter

- TPL-034-NF-02 Bolt guide aluminium ID 13.0mm, single flat, 13mm offset (bag of 2)
- TPL-034-NF-20 Bolt guide aluminium ID 13.0mm, single flat, 13mm offset (bag of 20)



12.4mm diameter

- TPL-035-NF-02 Bolt guide aluminium ID 12.4mm, single flat, 20mm offset (bag of 2)
- TPL-035-NF-20 Bolt guide aluminium ID 12.4mm, single flat, 20mm offset (bag of 20)

Centor Australia

1300 236 867

+61 7 3868 5777

mail@centor.com

centor.com