

*TwinPoint Gen2*  
**WOOD PANELS**



*Folding door lock with internal and external access*

centor®

**Download options**

Centor's brochures, technical documents and drawings can be downloaded from;

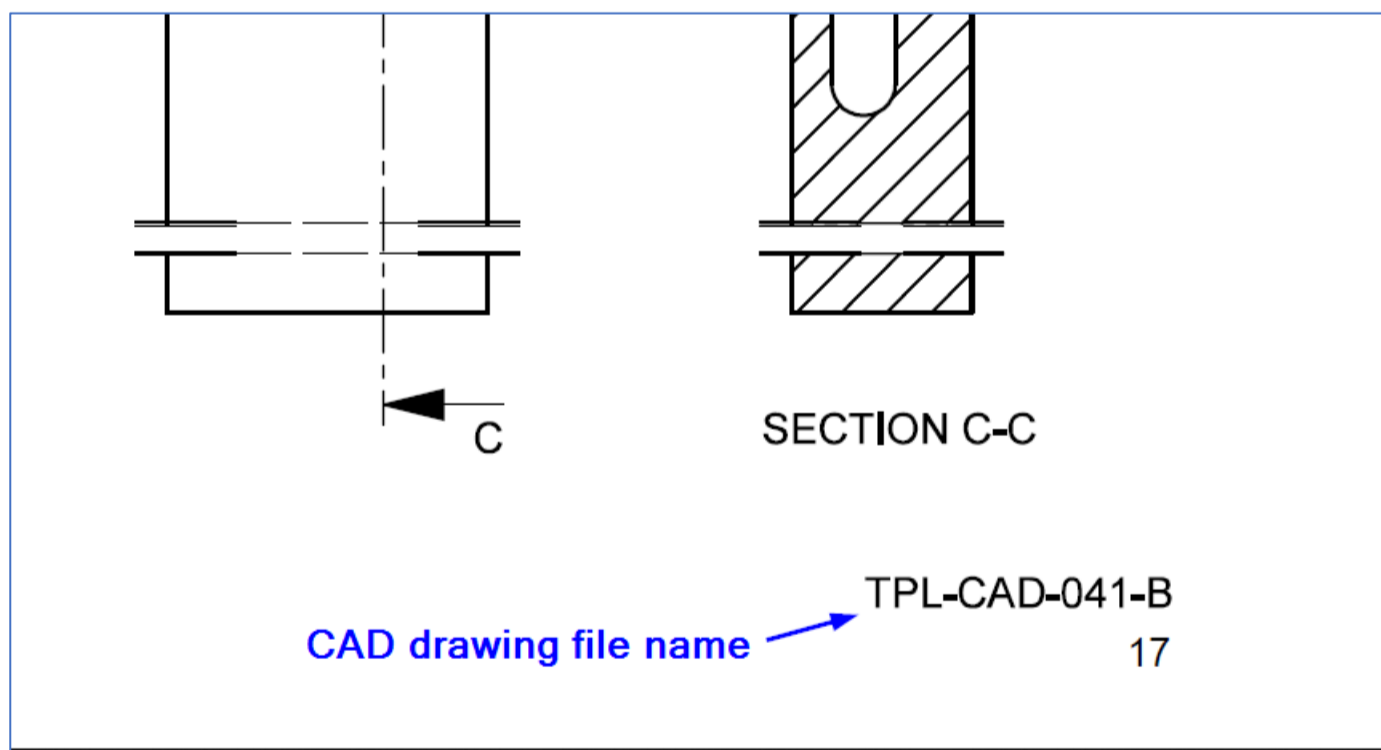
1. Bottom of the TwinPoint Gen2 website page
2. Professional section of Centor's webpage
3. This link. <https://centor.com/au/hardware/accessories/centor-twinpoint-gen2>

Downloads	
TwinPoint Gen2 Brochure	pdf
TwinPoint Gen2 Hollow Panels technical document	pdf
TwinPoint Gen2 Wood Panels technical document	pdf
TwinPoint Gen2 Drawings (dwg)	zip
TwinPoint Gen2 Drawings (dxf)	zip

**2D CAD drawing download**

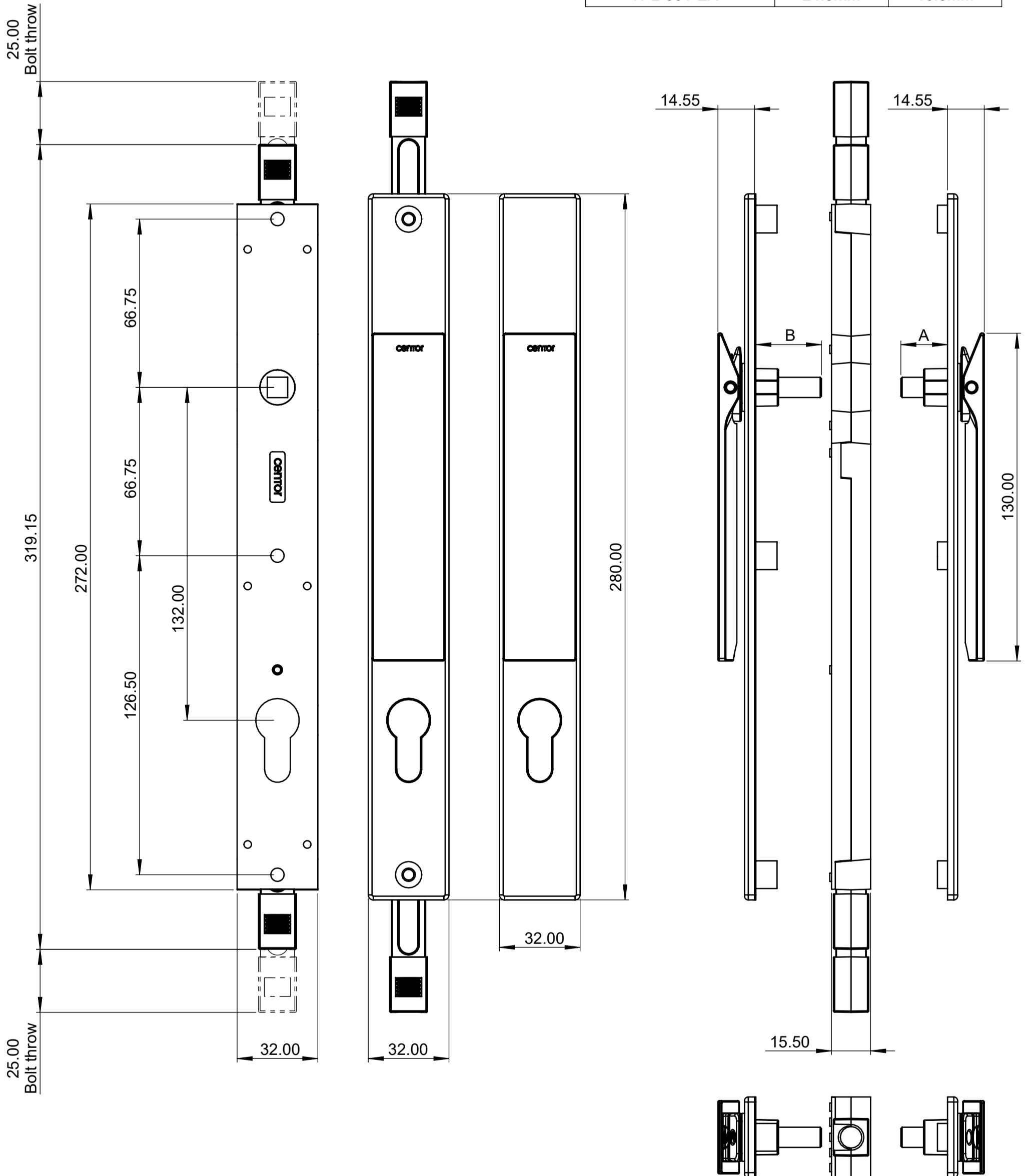
The drawings download provides a folder that contains all the drawings.

1. There are two folders. One for dwg and one for dxf.
2. Use the technical documents as an index to select the appropriate drawing. The drawing file name is printed at the bottom right corner of the page.



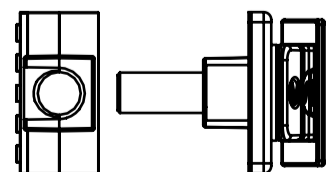
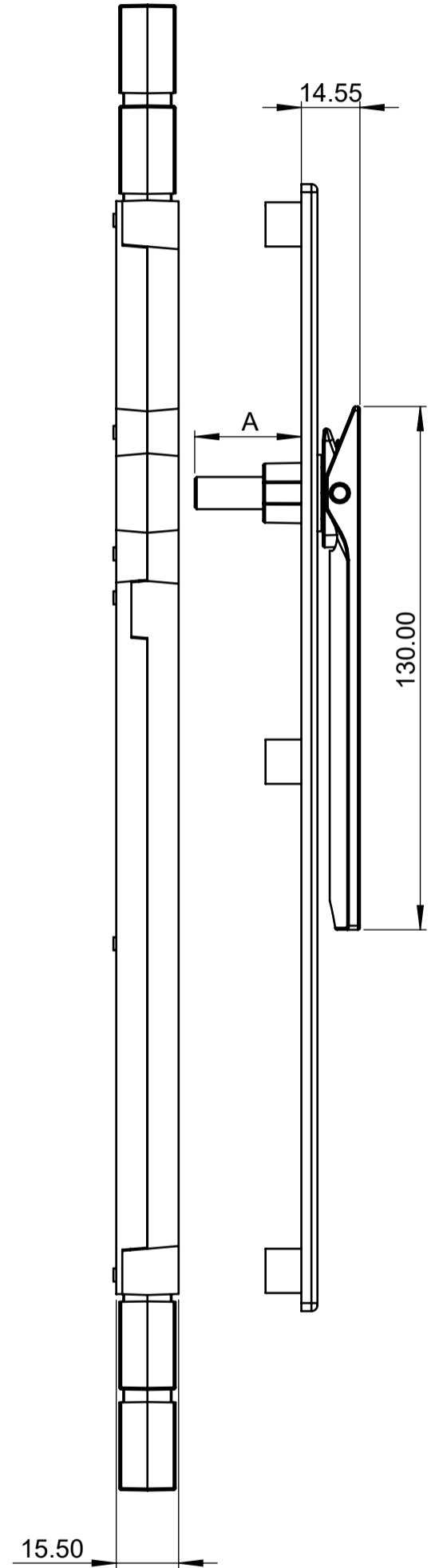
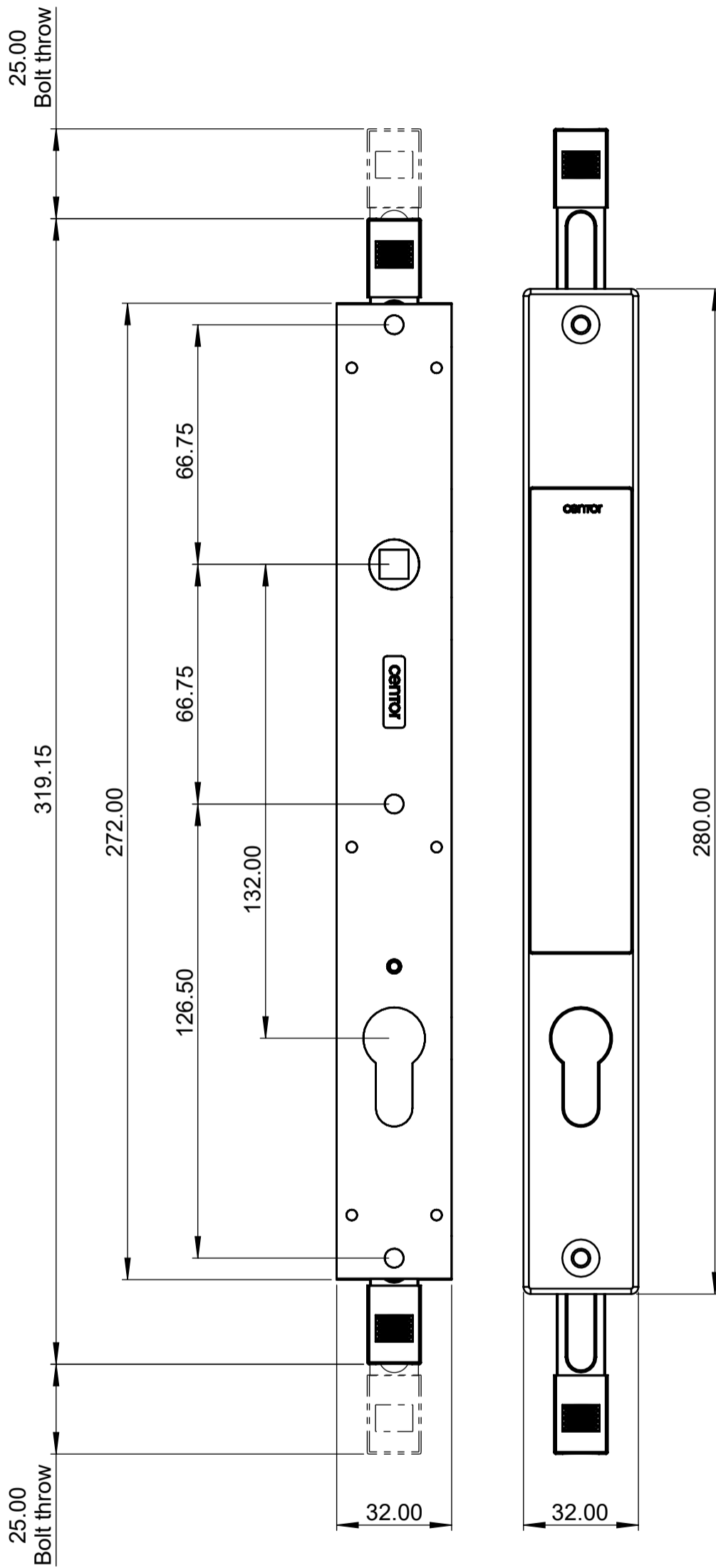
# DOUBLE HANDLE KEYED

Handle item number	A (internal)	B (external)
TPL-001-AC-*	16.5mm	20.5mm
TPL-001-AE-*	16.5mm	24.5mm
TPL-001-CA-*	20.5mm	16.5mm
TPL-001-EA-*	24.5mm	16.5mm



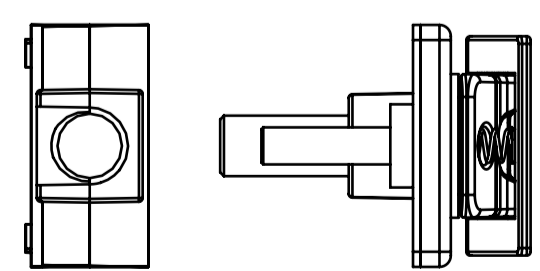
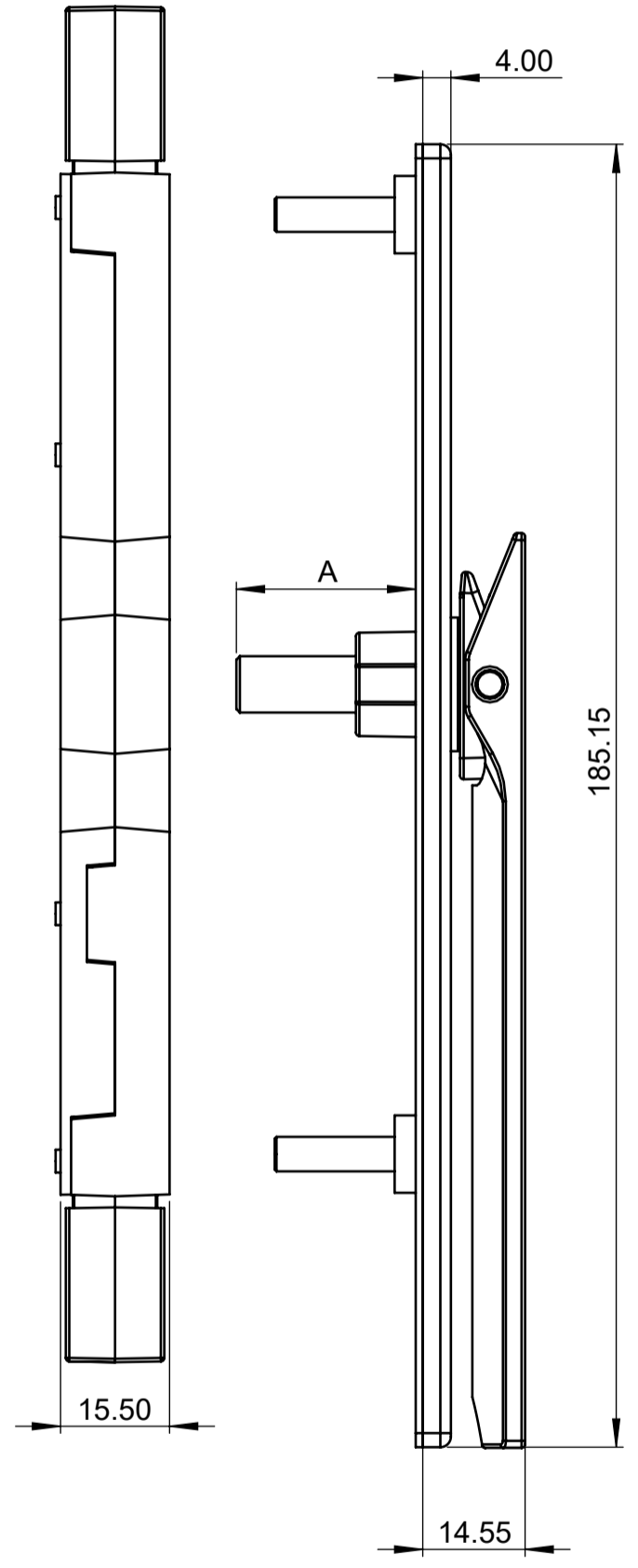
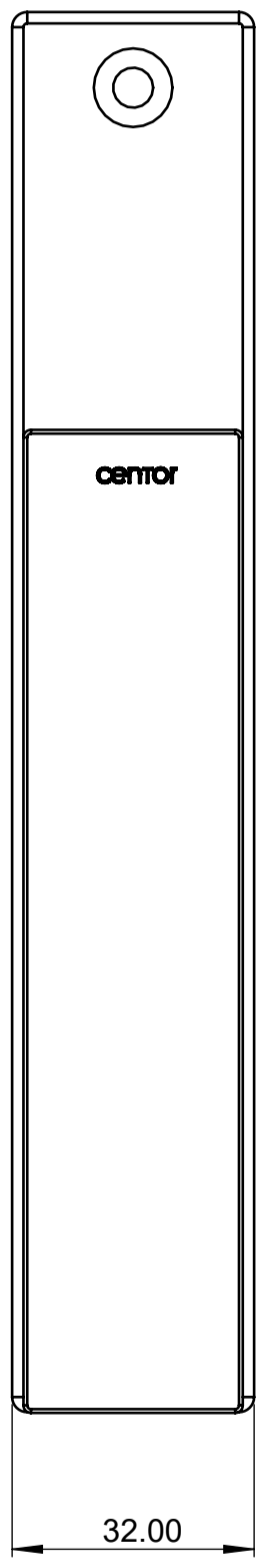
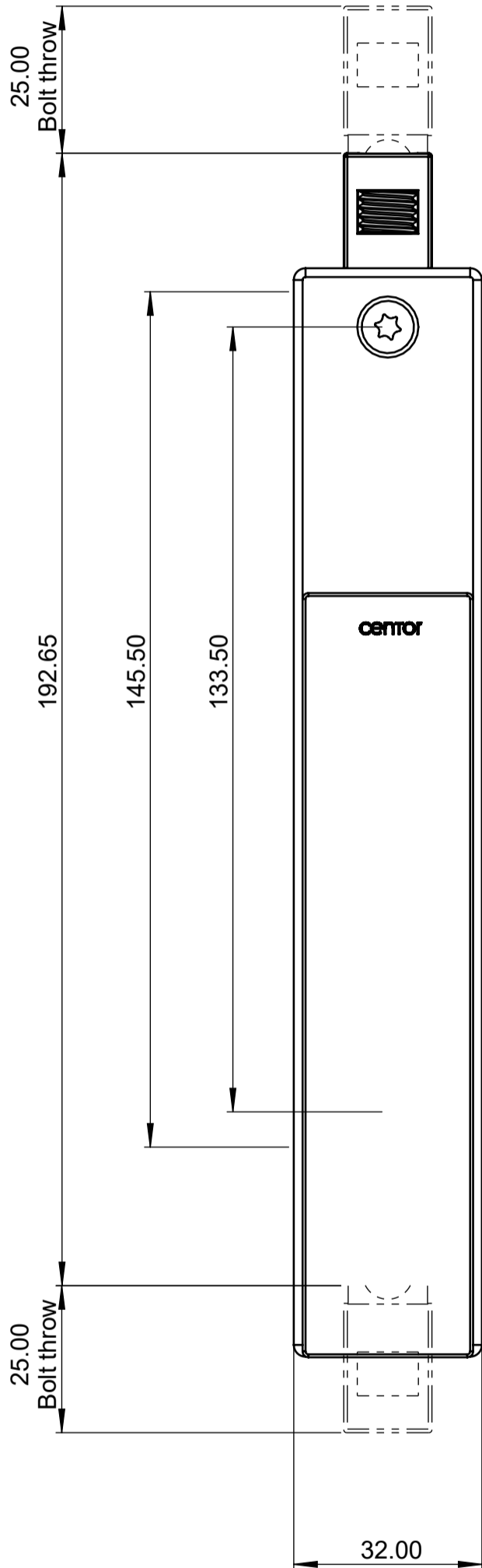
**SINGLE HANDLE KEYED**

Handle item number	A (internal)
TPL-002-C-*	20.5mm
TPL-002-E-*	24.5mm
TPL-002-G-*	29.5mm

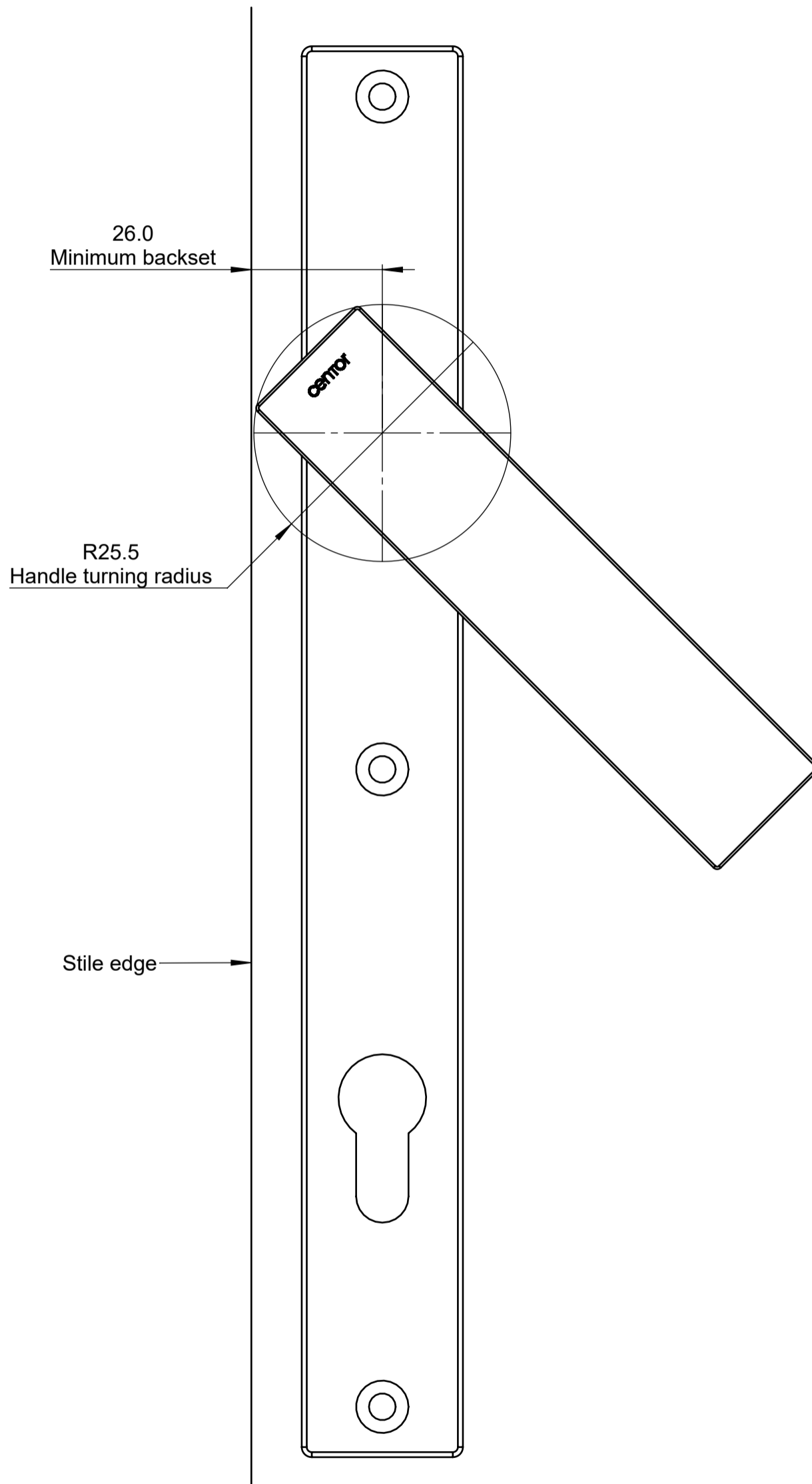


**SINGLE HANDLE NON-KEYED**

Handle item number	A (internal)
TPL-002-C-*	20.5mm
TPL-002-E-*	24.5mm
TPL-002-G-*	29.5mm



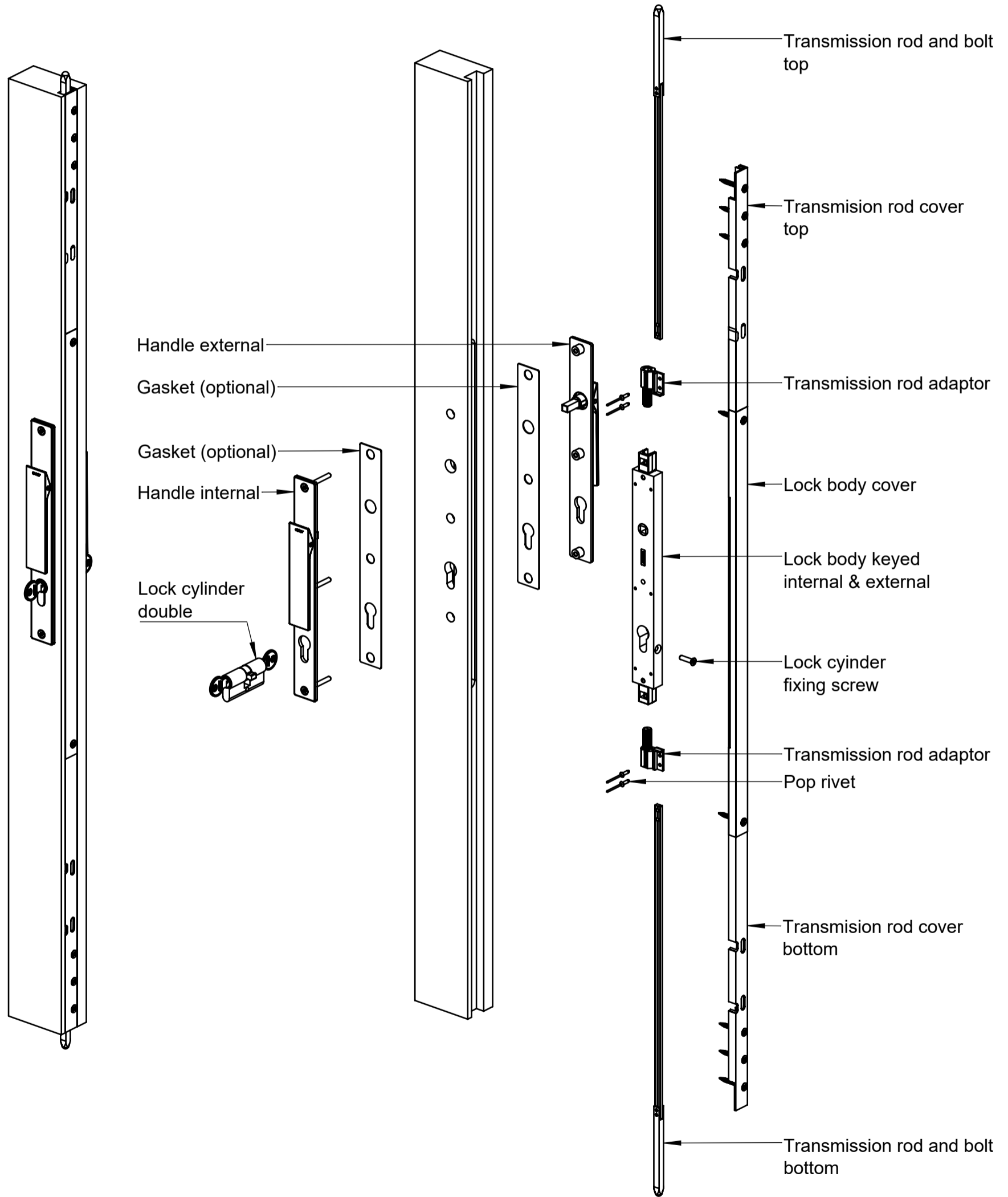
# HANDLE BACKSET DETAIL



Notes:  
Keyed handle shown. Same requirements apply to non-keyed version.

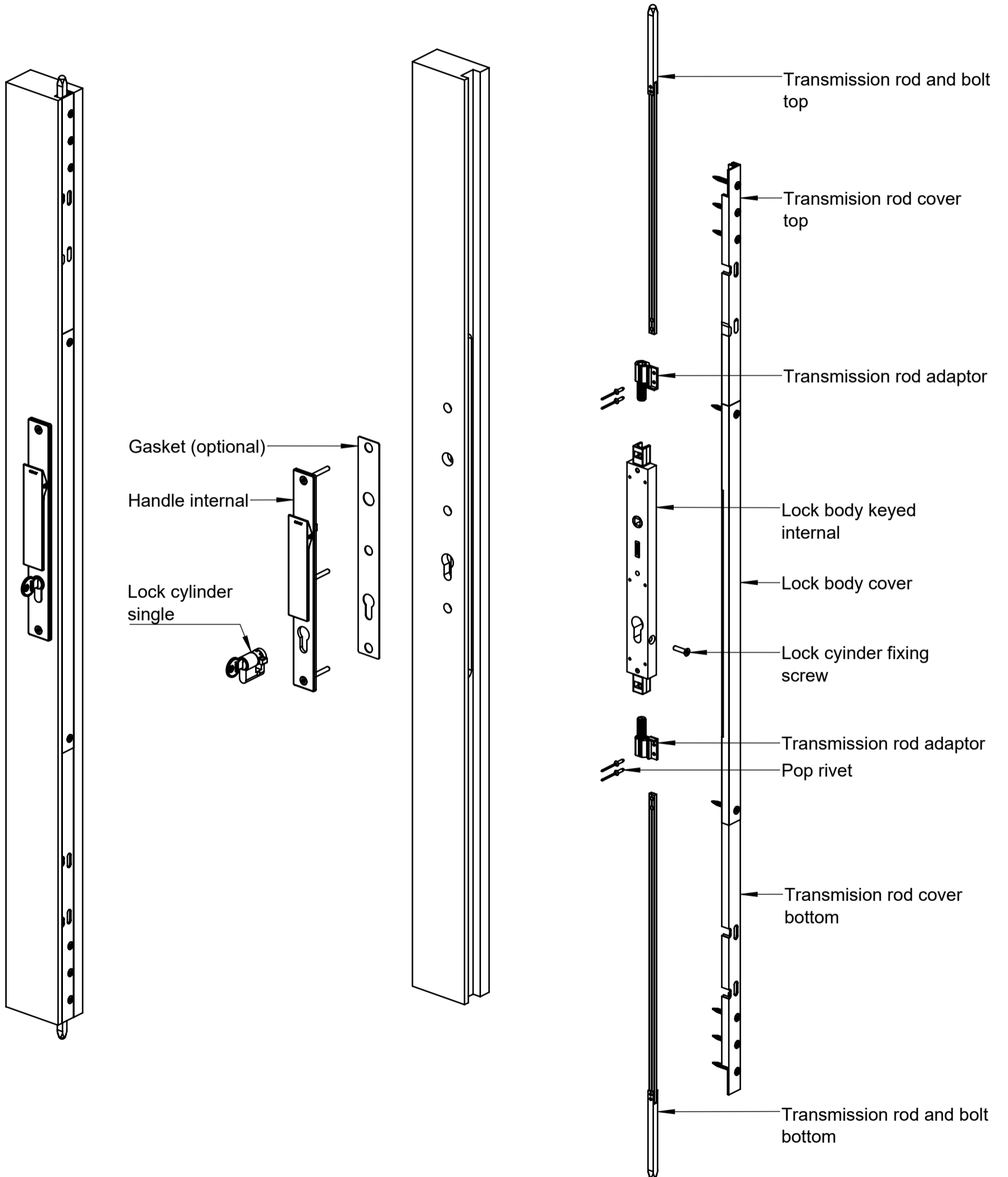
# PRODUCT DETAIL

Wood panels with TwinPoint Gen2 double handle keyed



# PRODUCT DETAIL

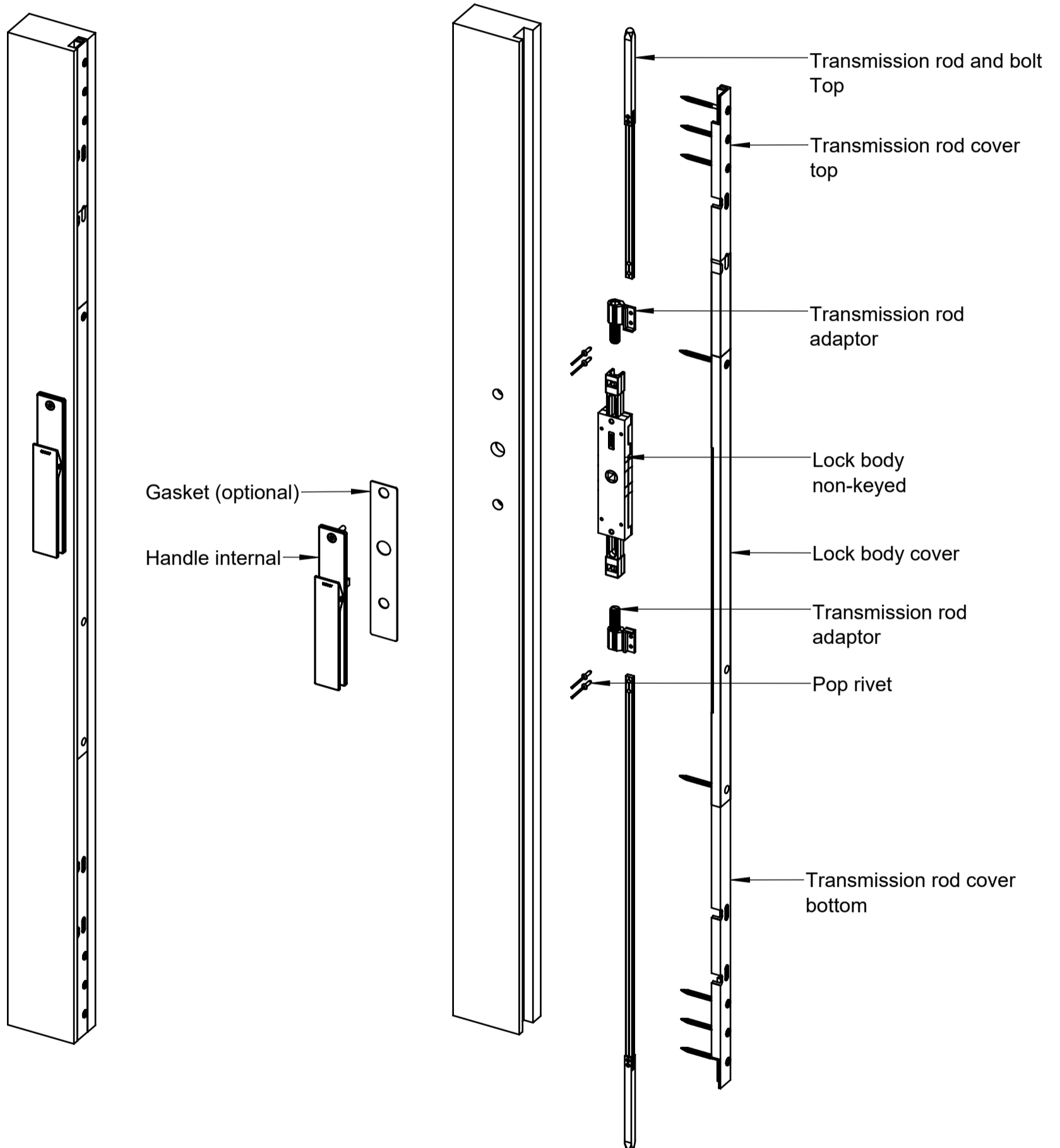
Wood panels with TwinPoint Gen2 single handle keyed





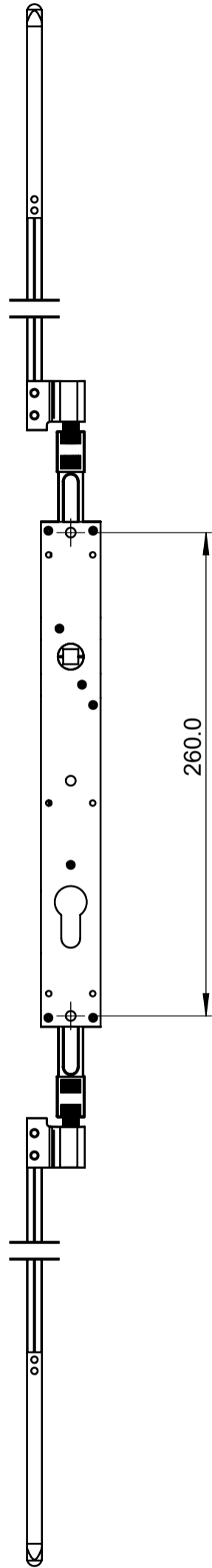
# PRODUCT DETAIL

Wood panels with TwinPoint Gen2 single handle non-keyed

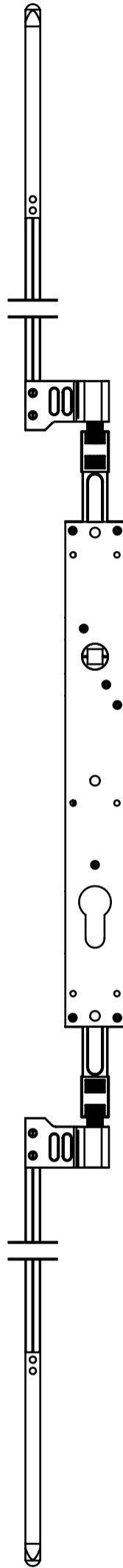


# ASSEMBLY DETAIL

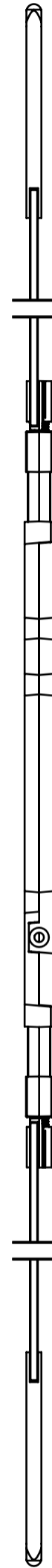
Keyed with straight bolt



Backset 26mm



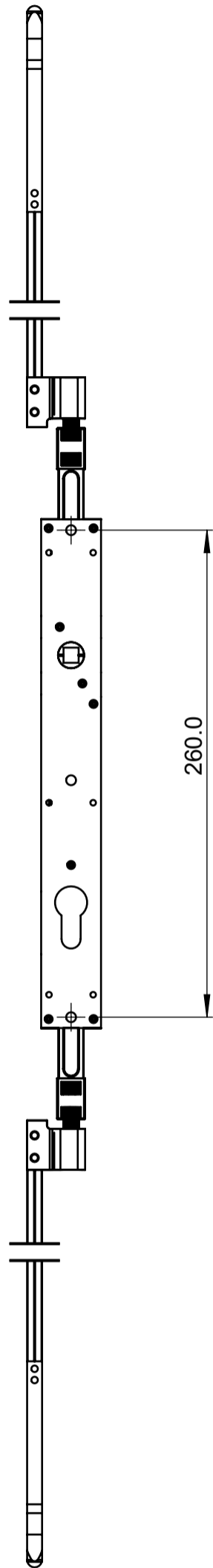
Backset 40mm



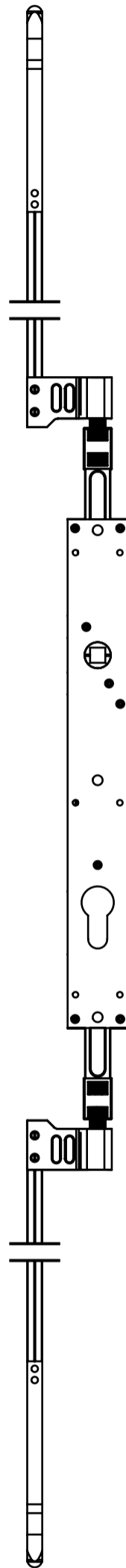
Notes:  
Lock shown in extended state.

# ASSEMBLY DETAIL

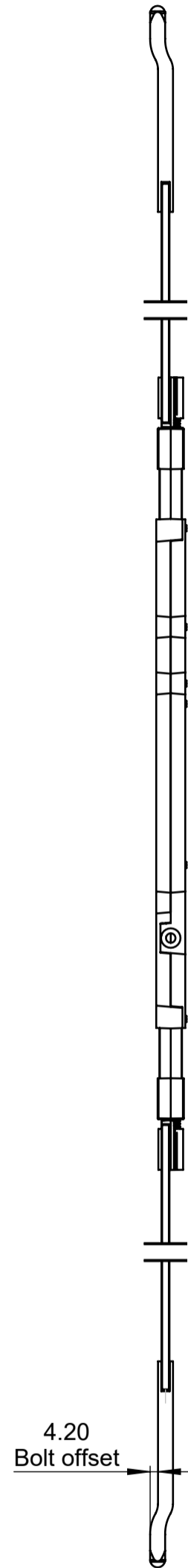
Keyed with offset bolt



Backset 26mm



Backset 40mm

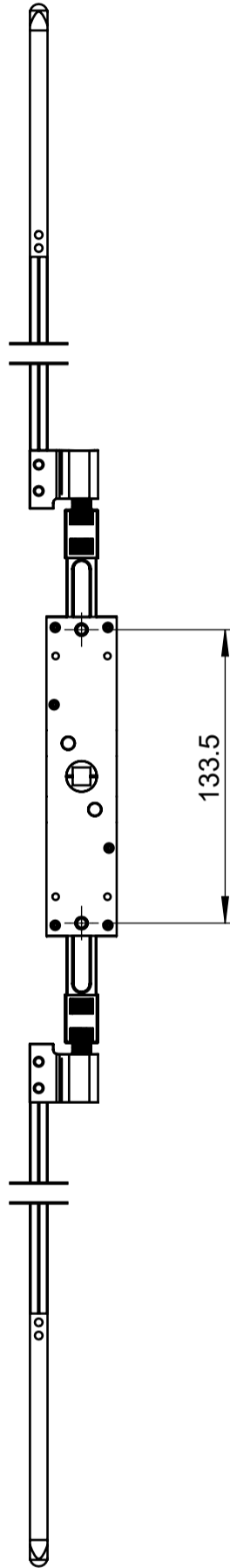


4.20  
Bolt offset

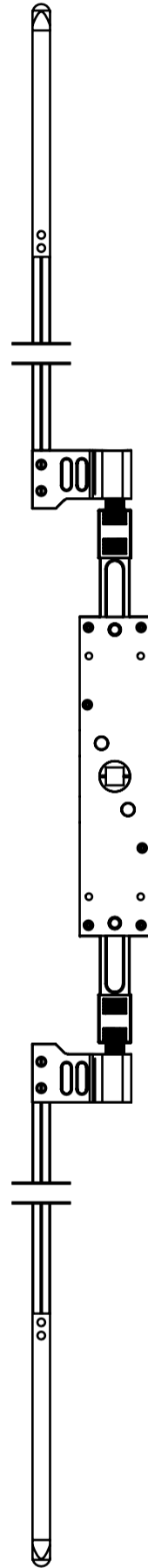
Notes:  
Lock shown in extended state.

# ASSEMBLY DETAIL

Non-keyed with straight bolt



Backset 26mm



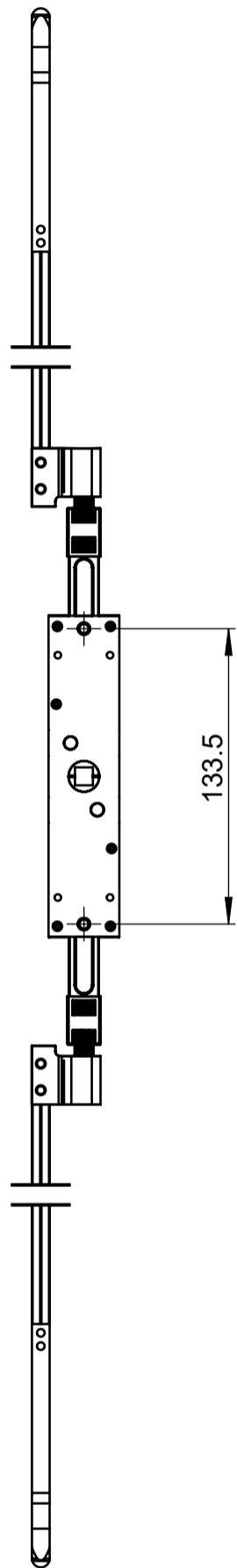
Backset 40mm



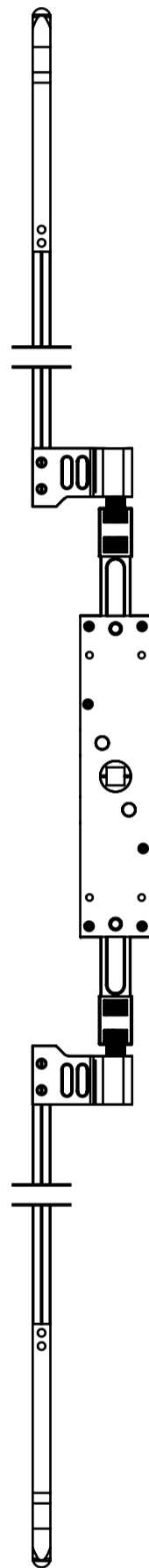
Notes:  
Lock shown in extended state.

# ASSEMBLY DETAIL

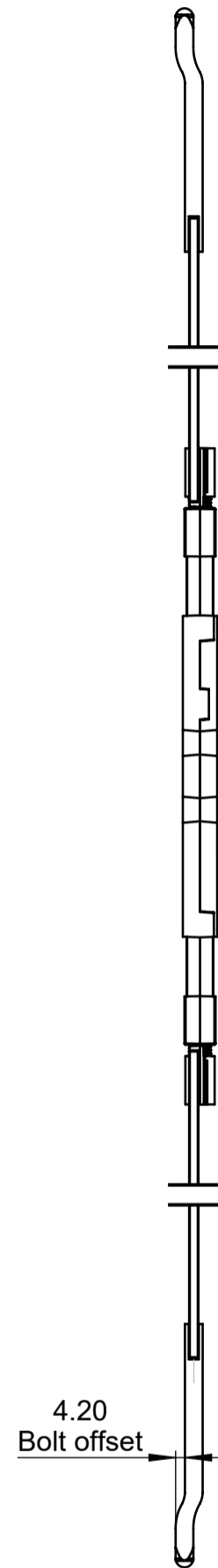
Non-keyed with offset bolt



Backset 26mm



Backset 40mm



4.20  
Bolt offset

Notes:  
Lock shown in extended state.

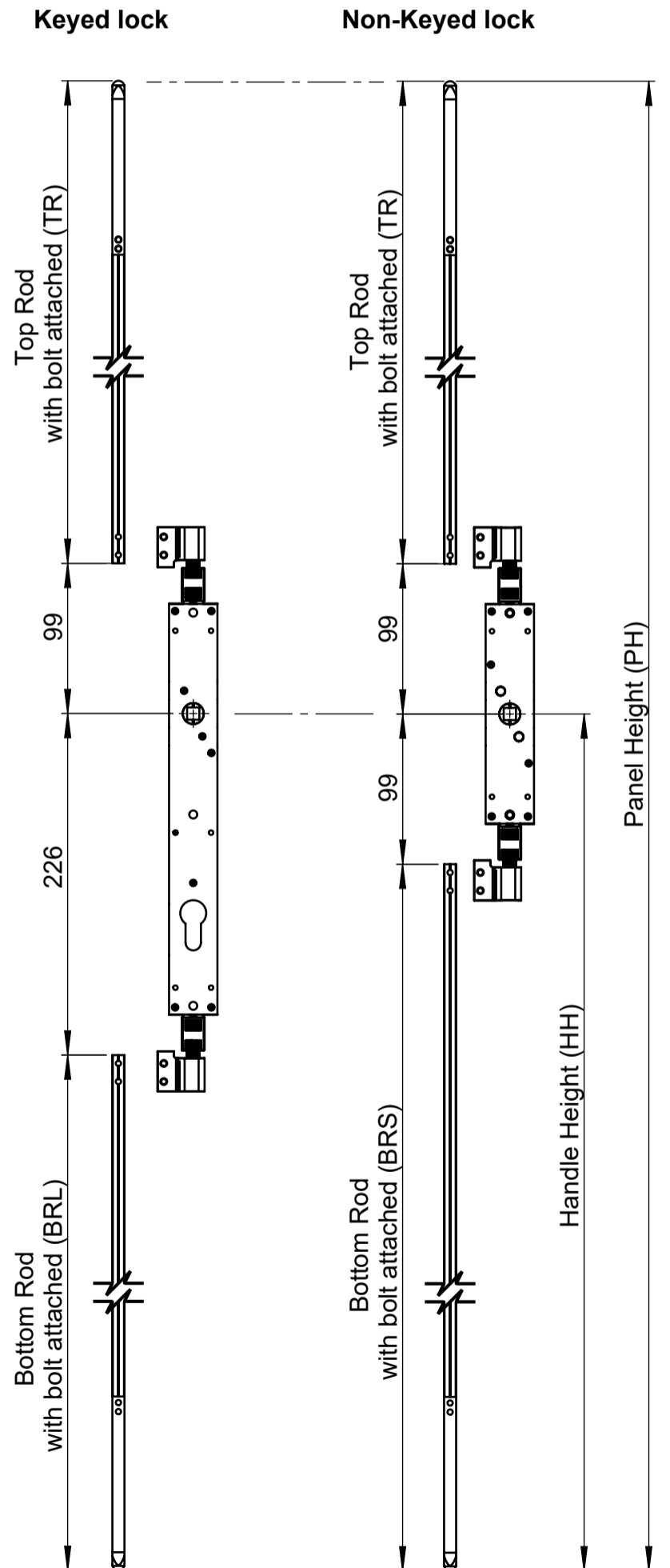
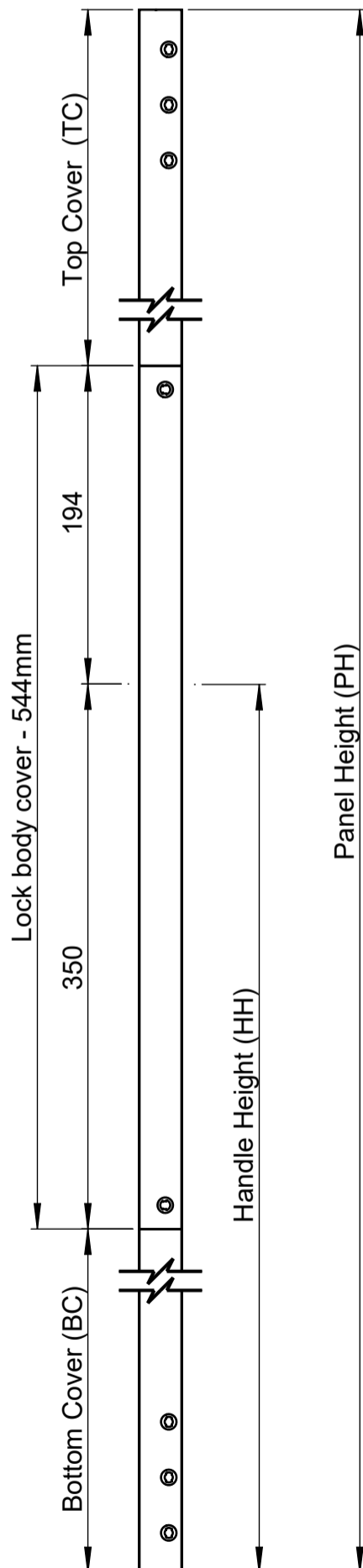
# TRANSMISSION COVER AND ROD LENGTH FORMULA

Covers	
Top	$TC = PH - HH - 194$
Bottom	$BC = HH - 350$

Notes:

- All dimensions in mm.

Transmission rods with attached bolt			
Straight bolt	Top	All	$TR = PH - HH - 99$
	Bottom	Non keyed lock	$BRS = HH - 99$
		Keyed lock	$BRL = HH - 226$
Offset Bolt	Top	All	$TR = PH - HH - 94$
	Bottom	Non keyed lock	$BRS = HH - 94$
		Keyed lock	$BRL = HH - 221$



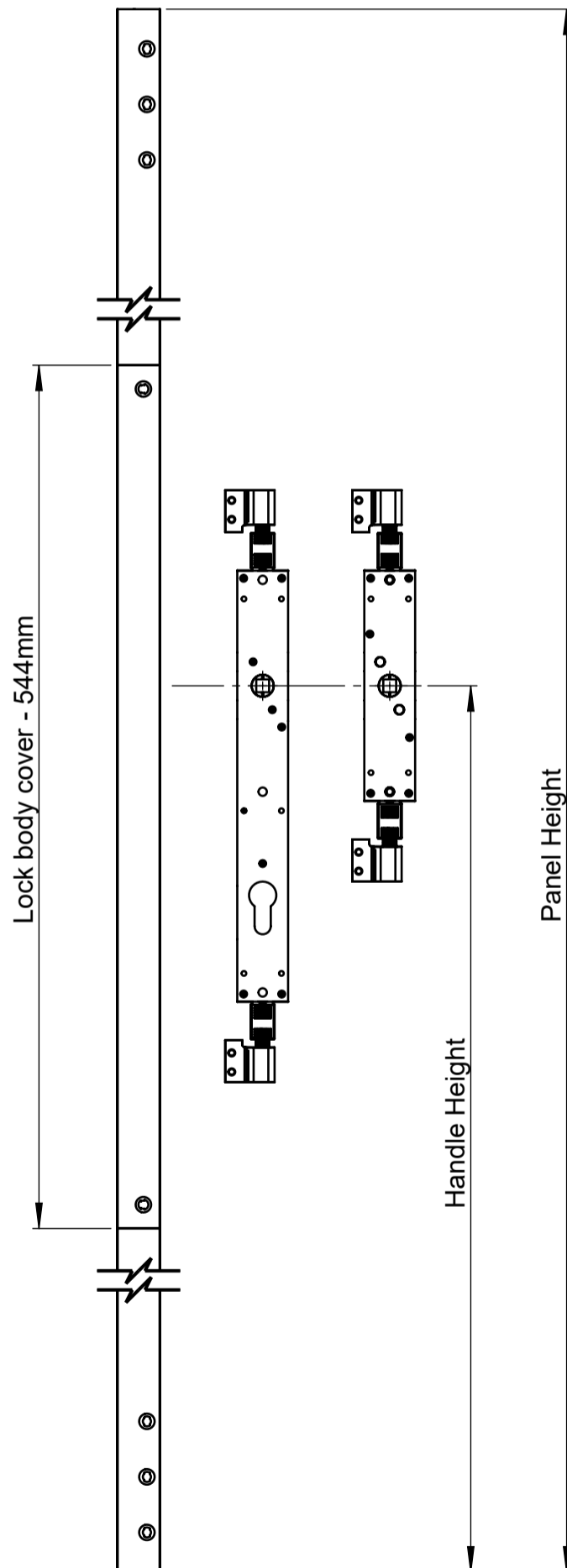
# PANEL AND HANDLE HEIGHT LIMITS

## Lock body cover - 544mm

Handle height		Panel height			
		Min	Max. with nominal transmission rod kit		
			2440	3050	4000
Std	1040	1454	2569	3179	4104
Min	570	984	2099	2709	3634
Max (non keyed lock)	1039	1453	2568	3178	4103
Max (keyed lock)	1166	1580	2695	3305	4230

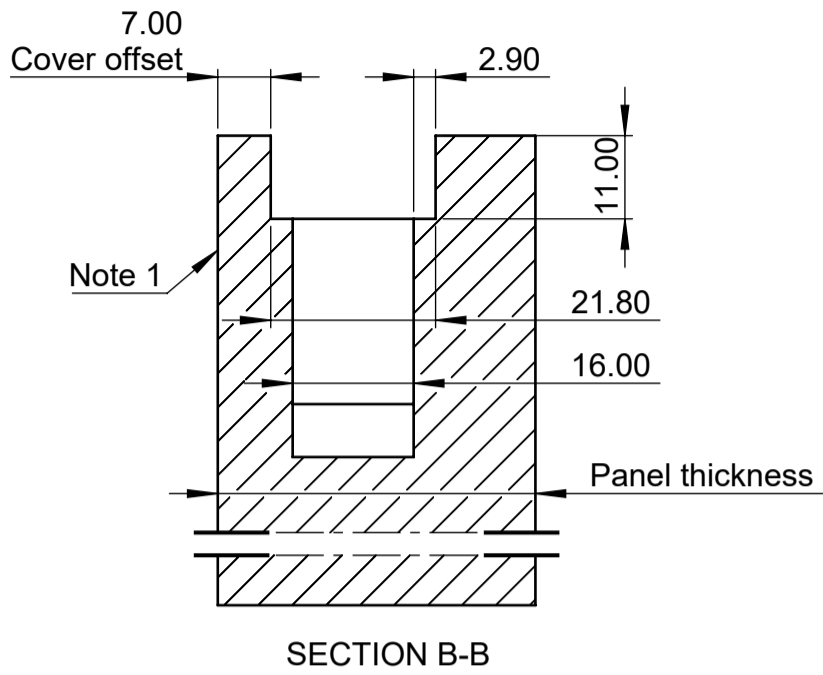
Notes:

- All dimensions in mm.



# ROUTING DETAIL

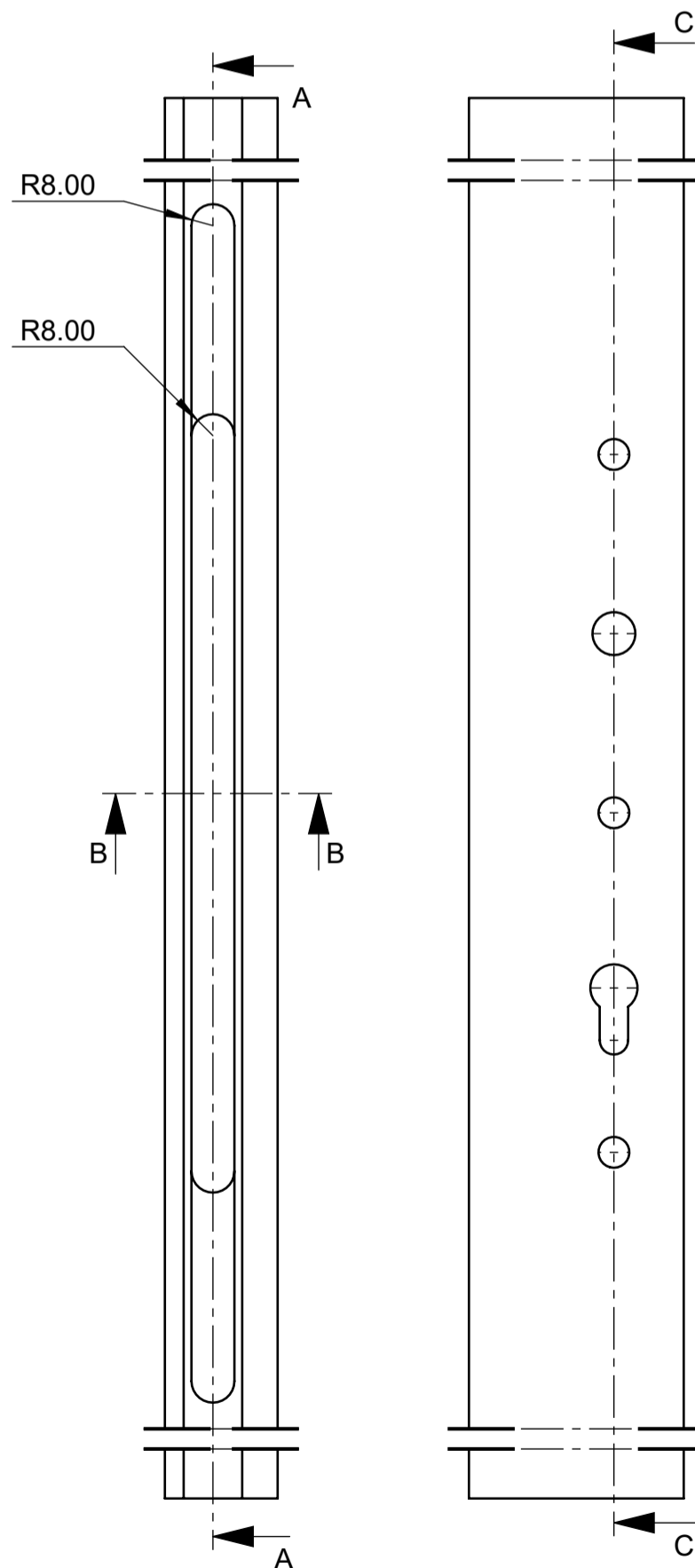
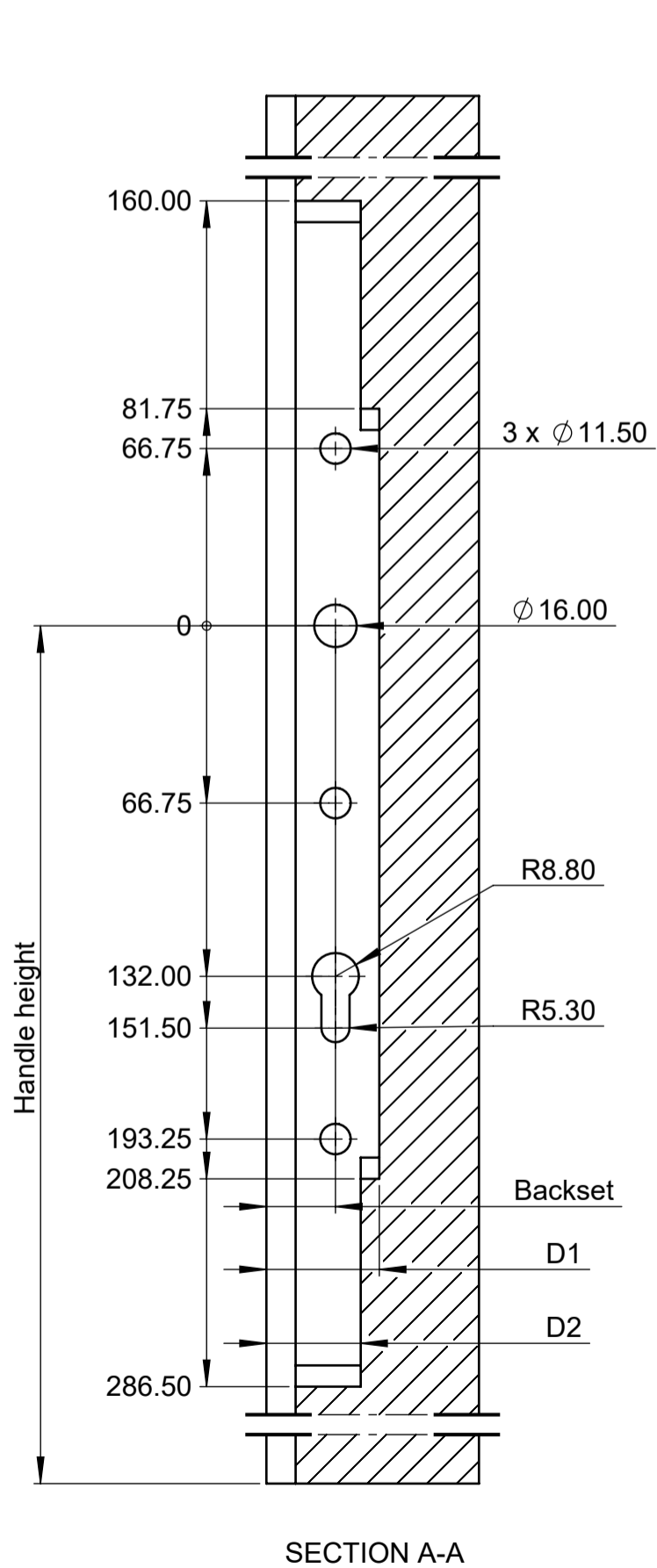
TwinPoint Gen2 lock body - double handle keyed



Backset (mm)	D1 (mm)	D2 (mm)
26.0	42.5	35.5
40.0	56.5	49.5

Notes:

1. Inside for outward opening or outside for inward opening.

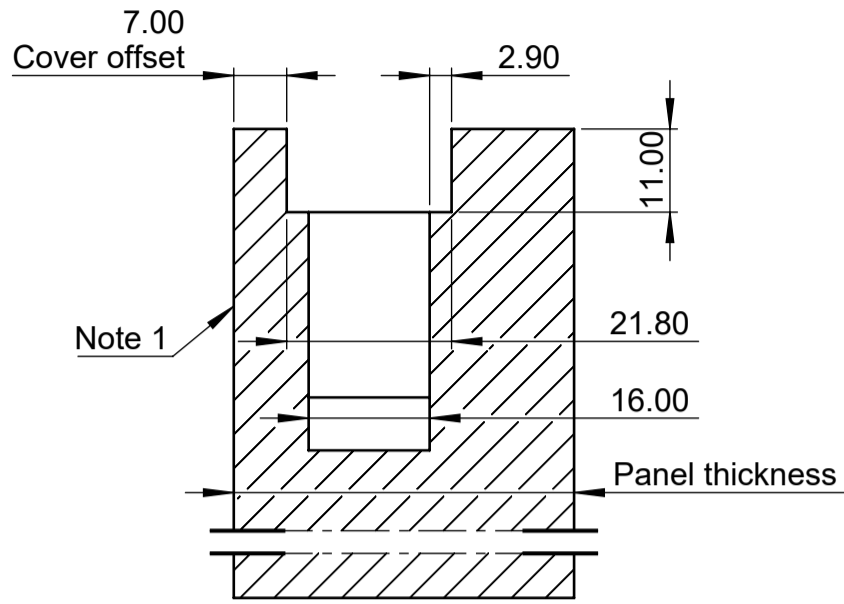


SECTION C-C



# ROUTING DETAIL

TwinPoint Gen2 lock body - single handle keyed

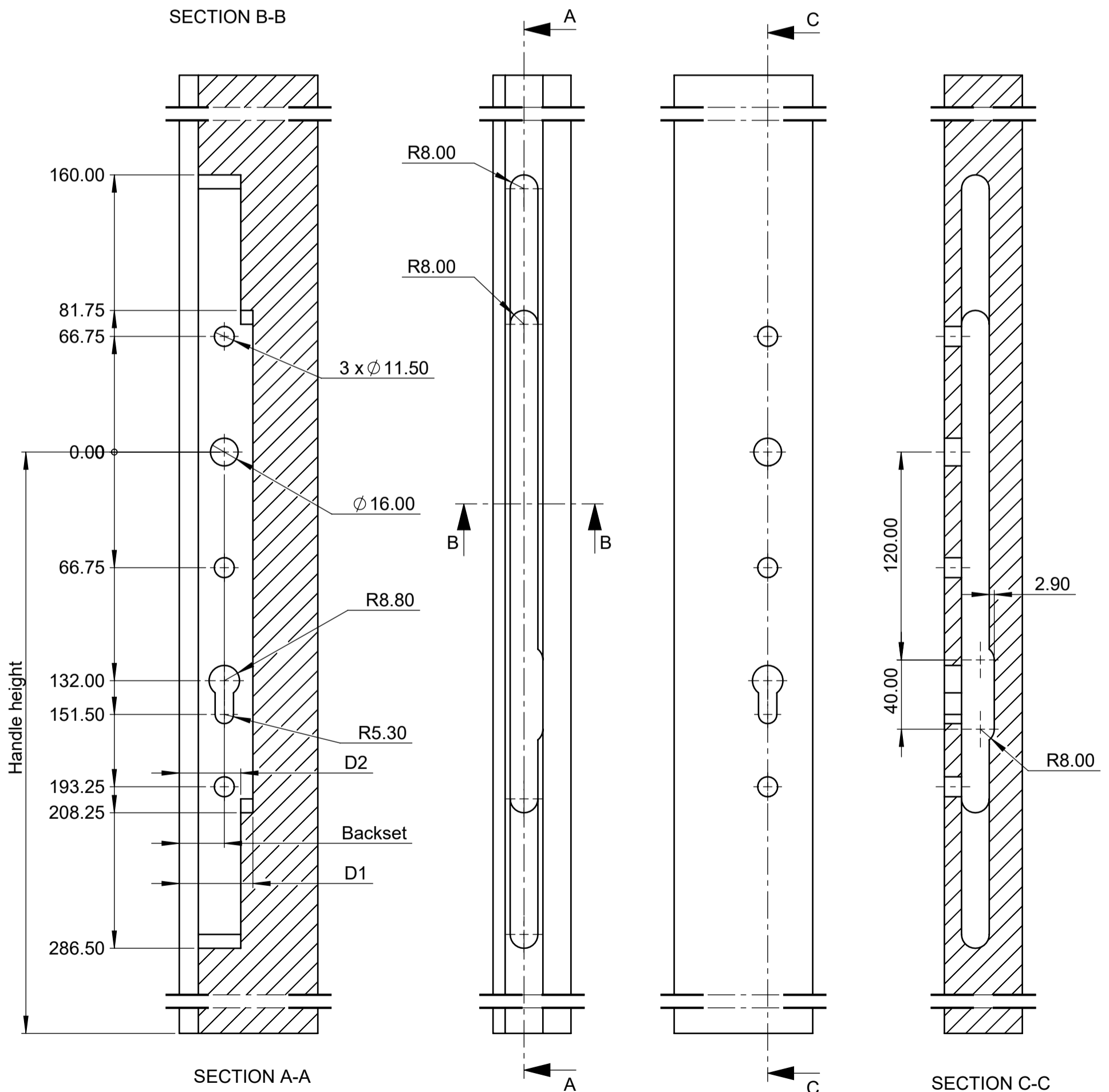


SECTION B-B

Backset (mm)	D1 (mm)	D2 (mm)
26.0	42.5	35.5
40.0	56.5	49.5

Notes:

1. Inside for outward opening or outside for inward opening.

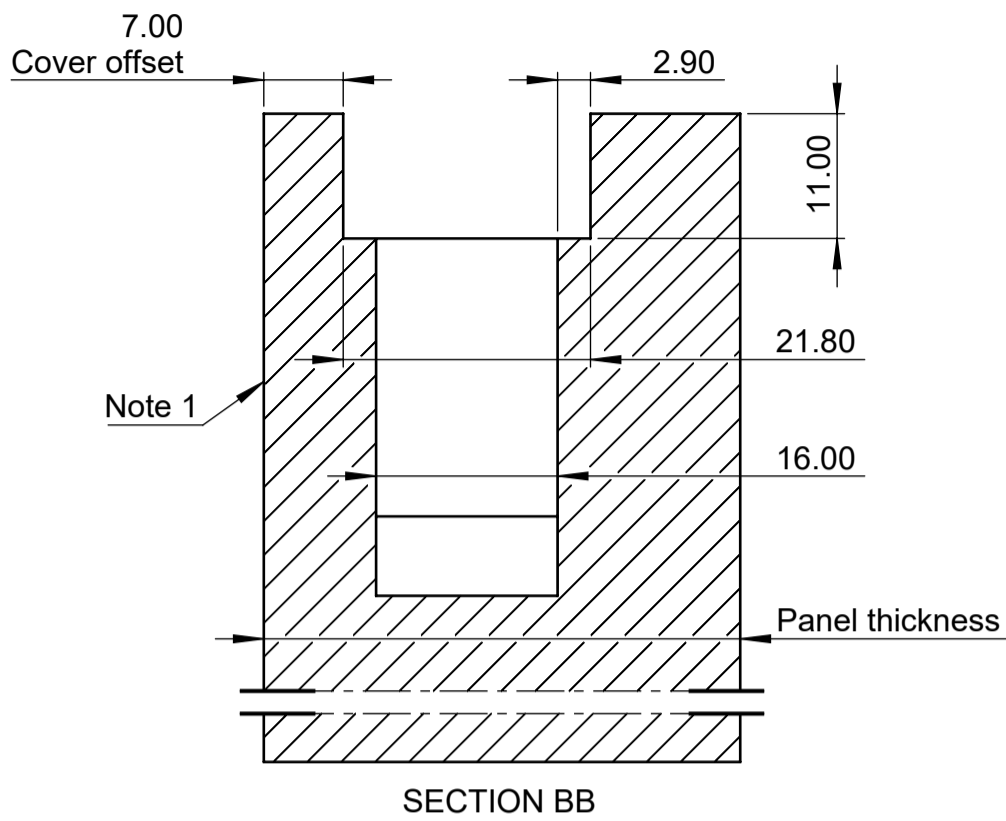


SECTION A-A

SECTION C-C

# ROUTING DETAIL

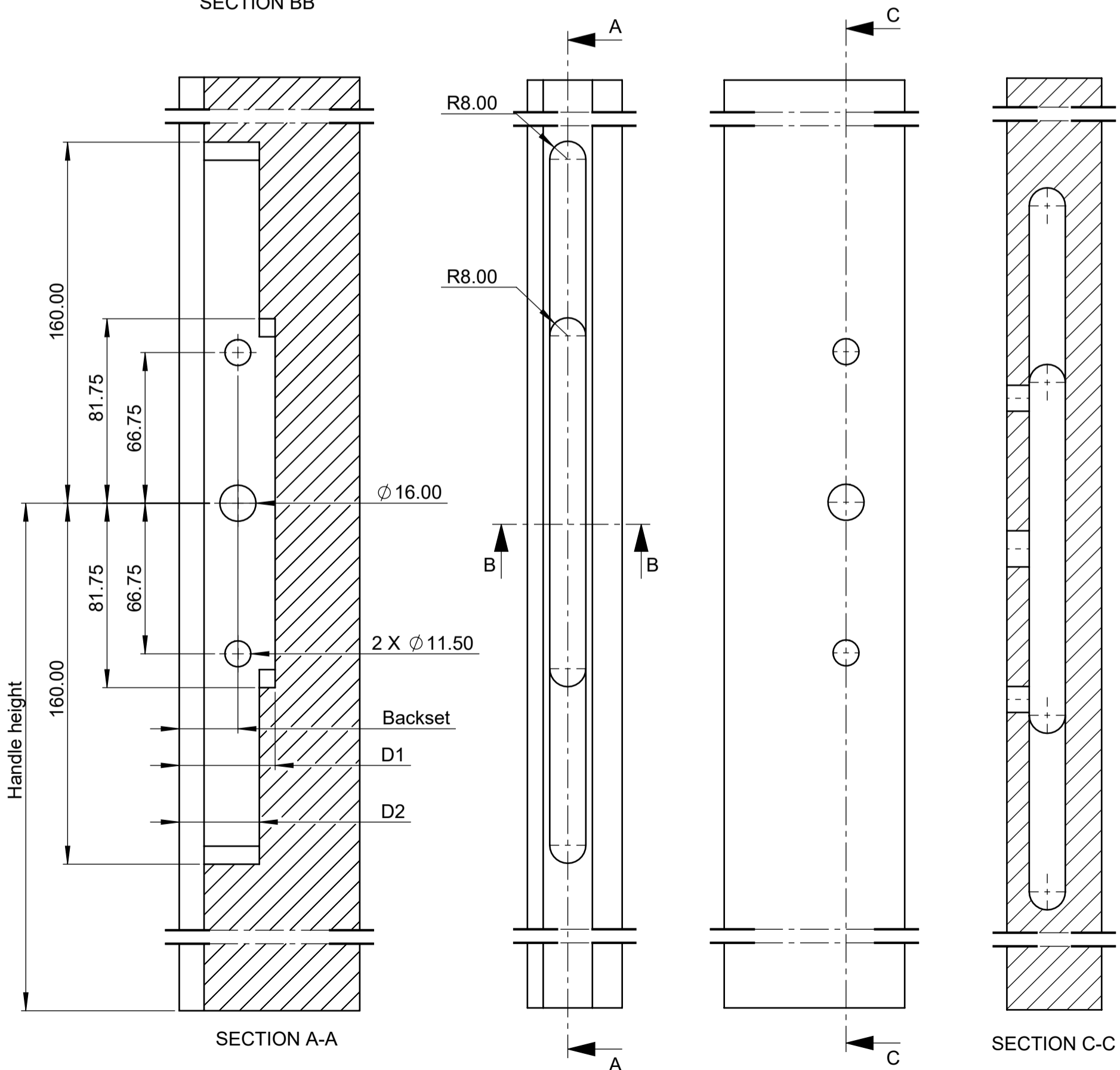
TwinPoint Gen2 lock body - single handle non-keyed



Backset (mm)	D1 (mm)	D2 (mm)
26.0	42.5	35.5
40.0	56.5	49.5

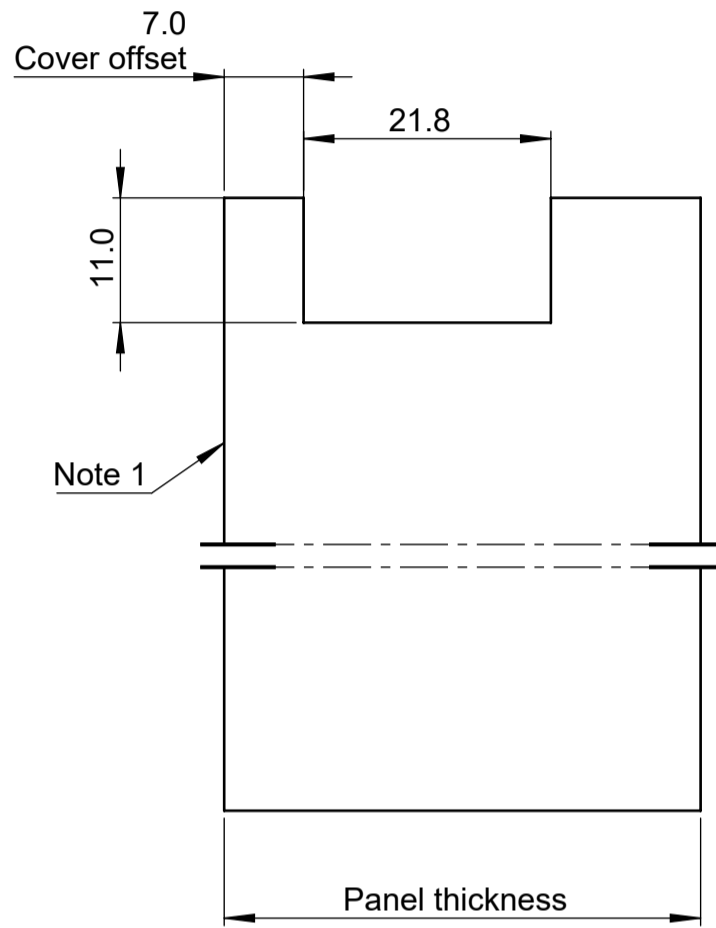
Notes:

1. Inside for outward opening or outside for inward opening.



# ROUTING DETAIL

Transmission rod cover



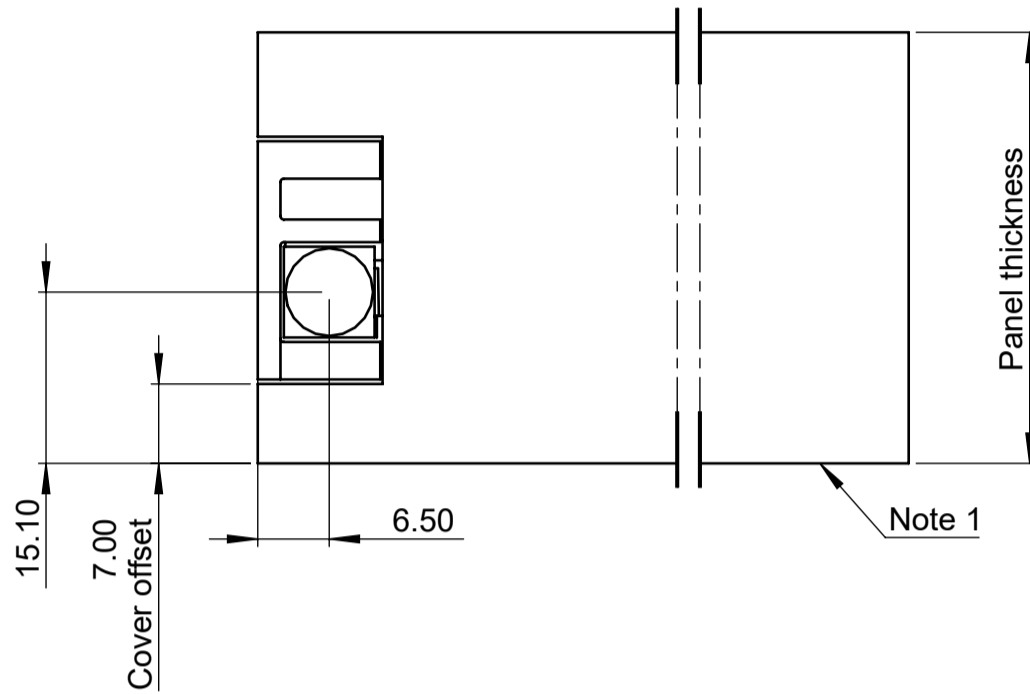
Apply machining to the full length of the stile.

Notes:

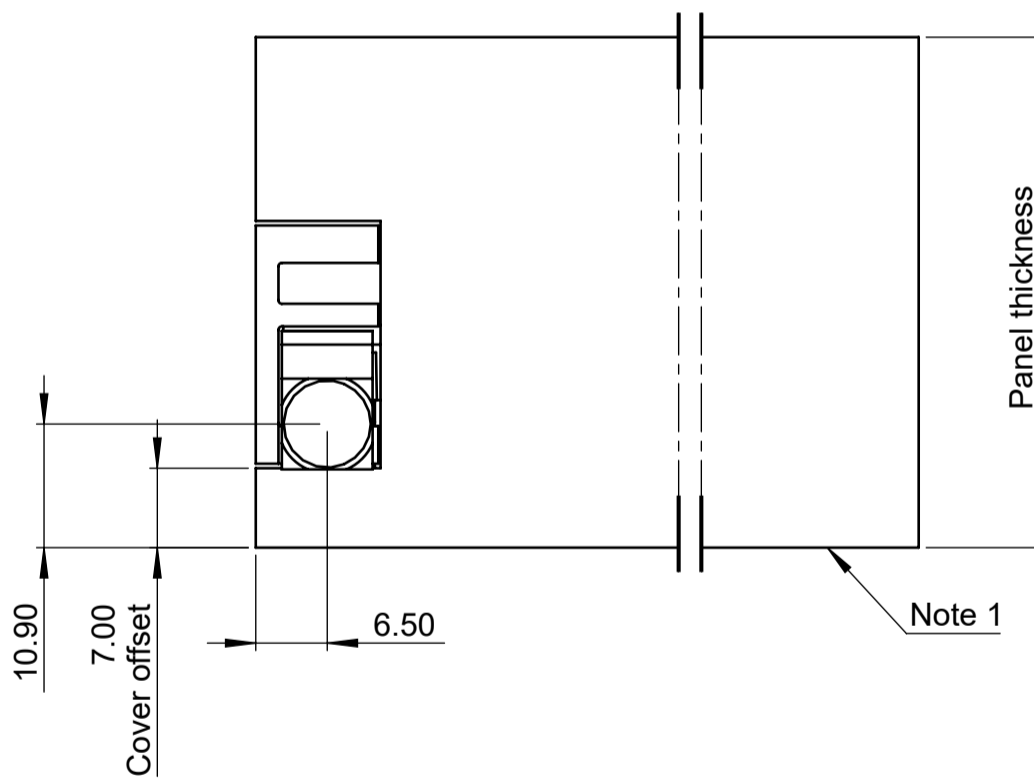
1. Inside for outward opening or outside for inward opening.

# BOLT POSITION IN STILE

## Straight bolt



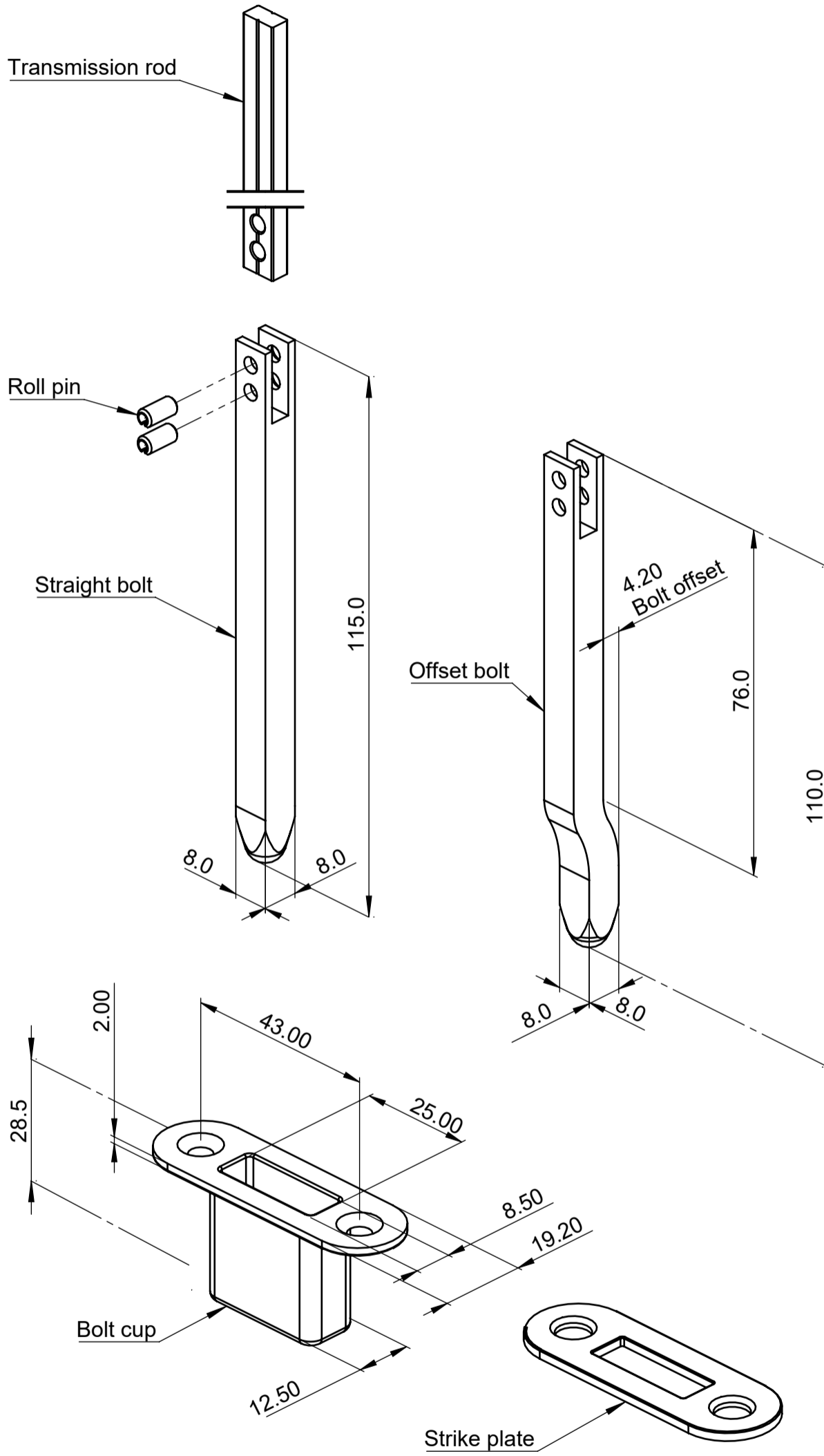
## Offset bolt



Notes:

1. Inside for outward opening or outside for inward opening.

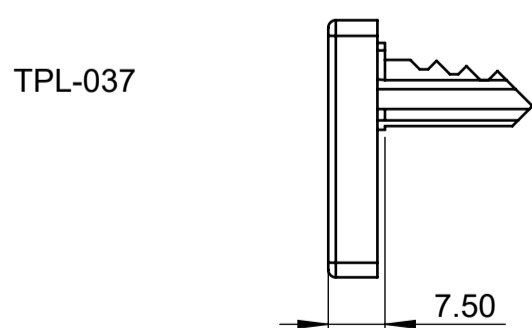
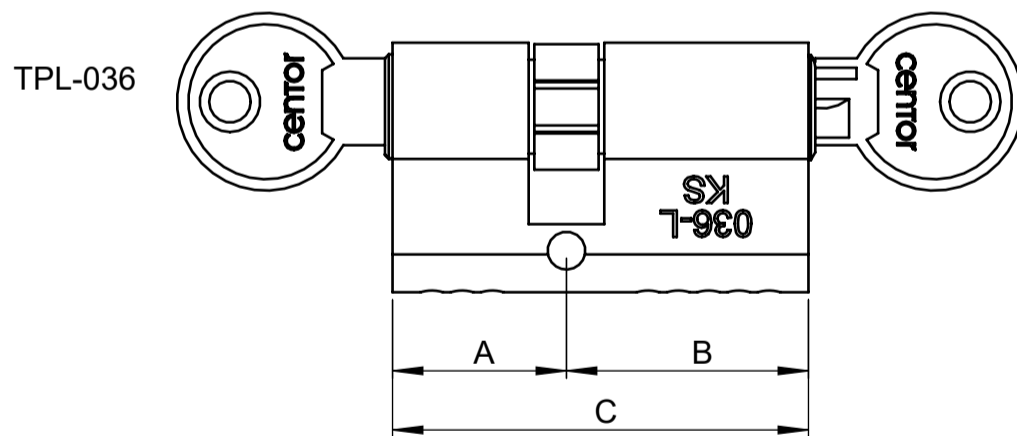
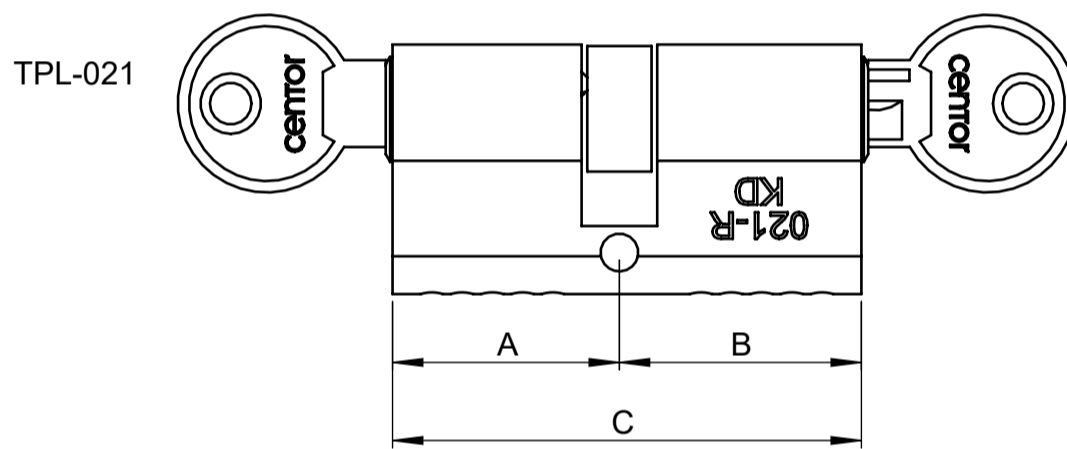
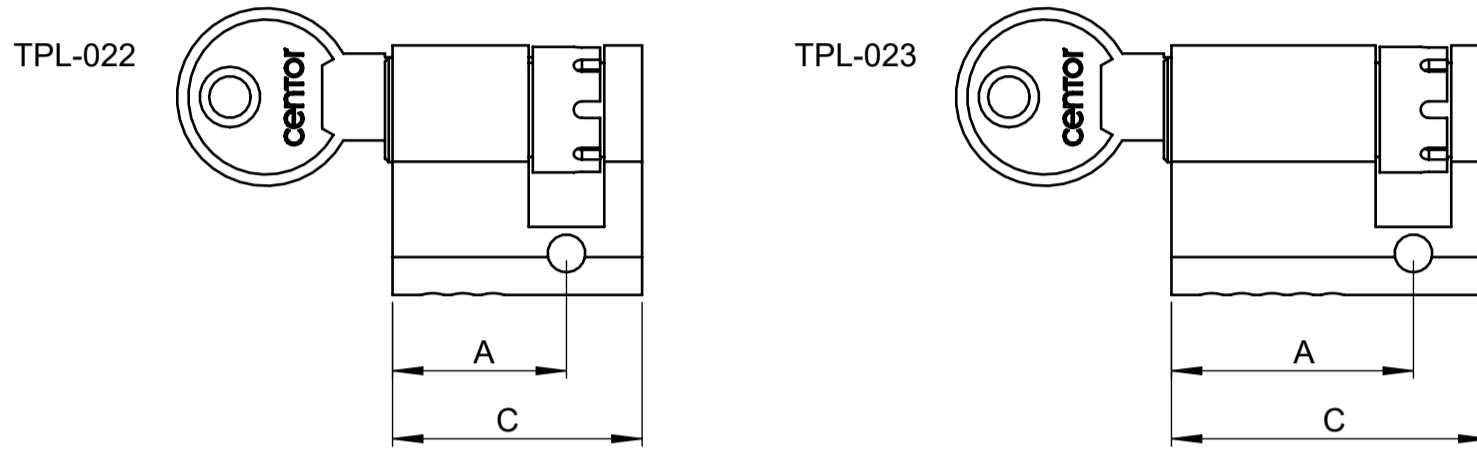
# BOLT AND CUP/STRIKE PLATE DETAIL



# LOCK CYLINDER DETAIL

## Cylinder size

Cylinder type	Dimension (mm)		
	A	B	C
TPL-021	30	32	62
TPL-022	23	n/a	33
TPL-023	32	n/a	42
TPL-036	23	32	55

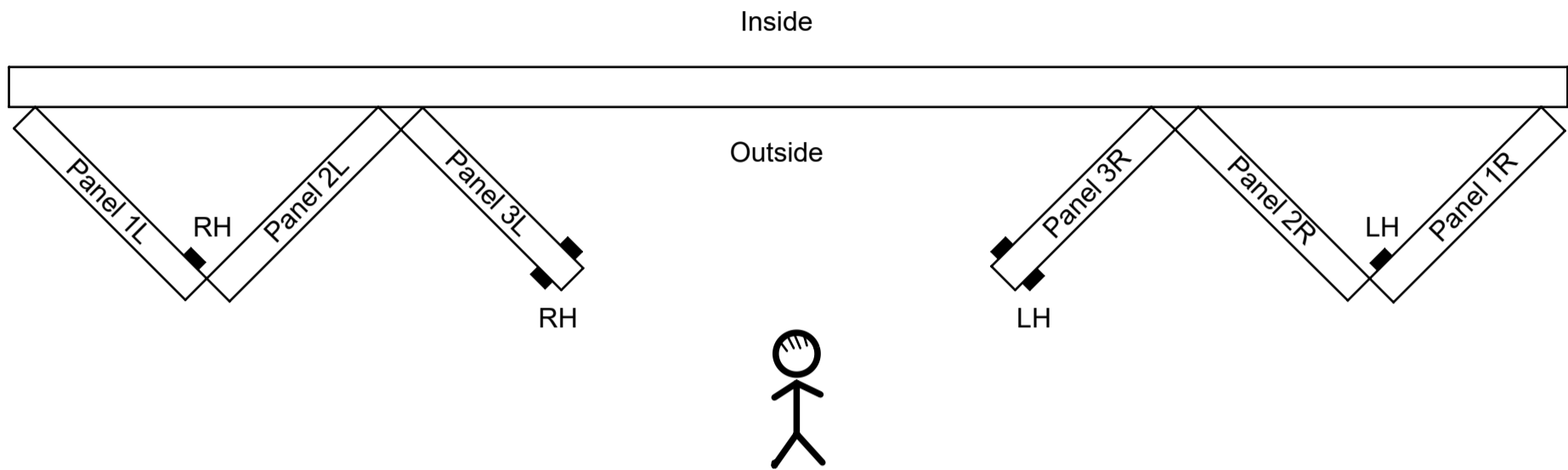


TPL-037 is a 3-pin key with a low profile thumb turn. It will not hit and dent the opposite stile if it is left in the lock. It can be used with cylinders TPL-022 and TPL-036.

### Notes:

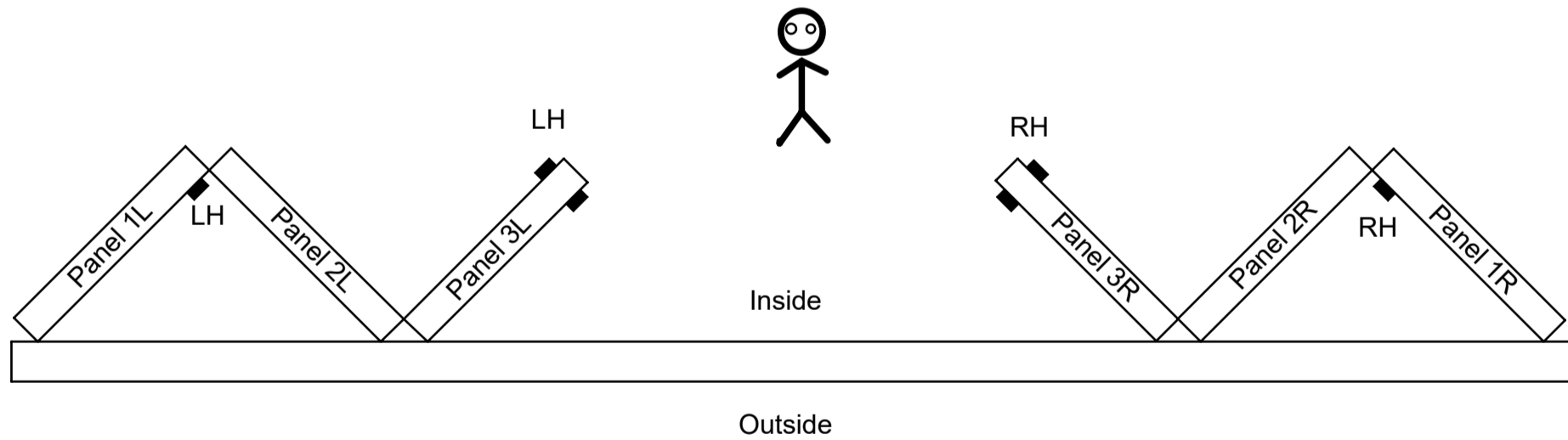
1. Single cylinders TPL-022 and TPL-023 can be rehanding and the rehanding instruction is provided in the cylinder kit.

## Outward opening door



Opening	View	Lock Handing	Location
Outward	From outside	LH - Left hand	Left side of panel
		RH - Right hand	Right side of panel

## Inward opening door

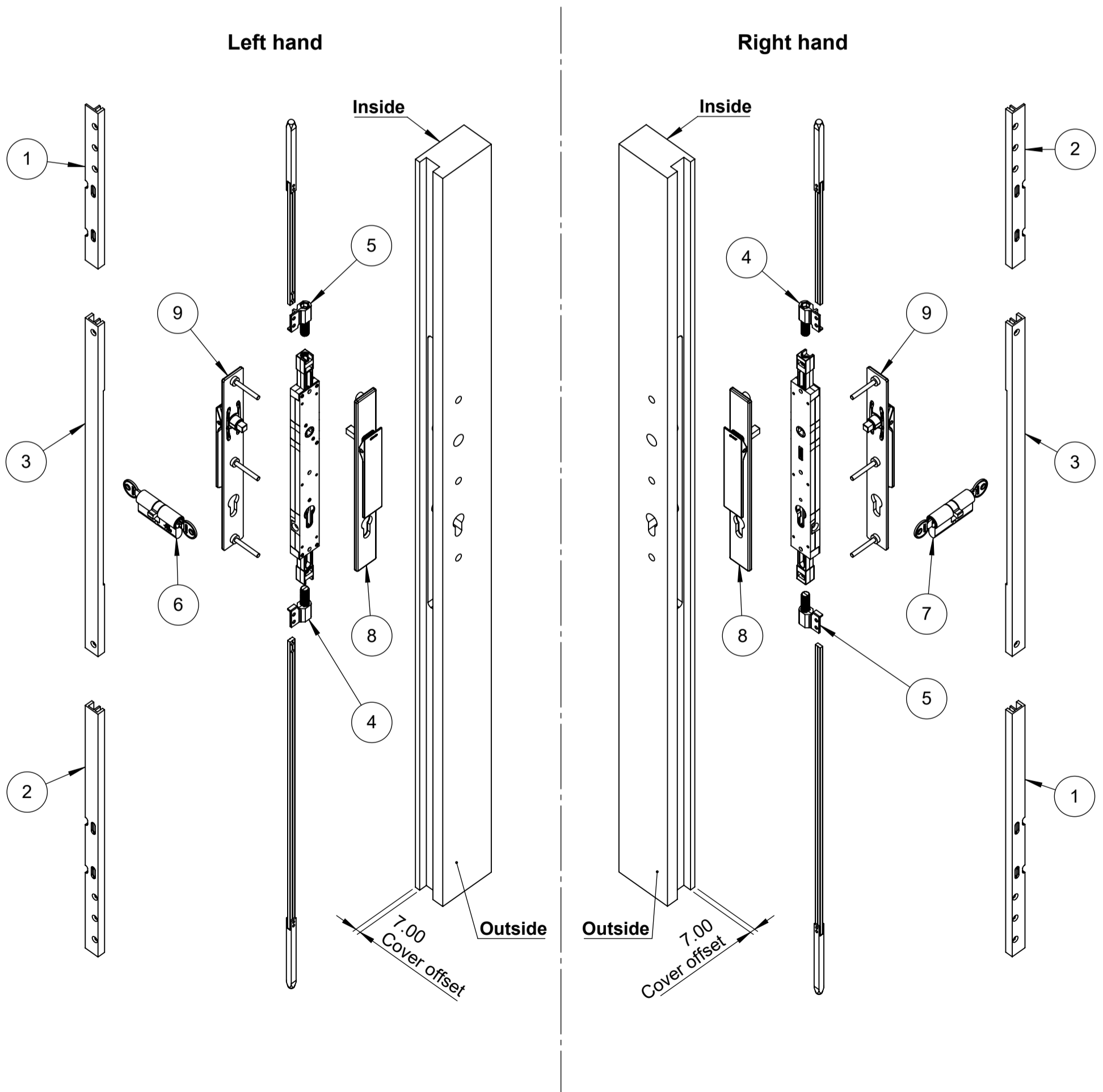


Opening	View	Lock Handing	Location
Inward	From inside	LH - Left hand	Left side of panel
		RH - Right hand	Right side of panel

# HANDING DETAILS

## Outward opening

Item number	Description
1	Two covers are supplied with the same length, but are located differently for left hand and right hand lock assemblies. E.g the bottom cover for left will go to the top for right and vice versa.
2	
3	The same lock body cover is used regardless but oriented differently for left and right hand lock assemblies.
4	LKC-518-C for 26mm backset or LKC-518-E for 40mm backset.
5	LKC-518-D for 26mm backset or LKC-518-F for 40mm backset.
6	Left hand lock cylinder (handing indication engraved on cylinder body)
7	Right hand lock cylinder (handing indication engraved on cylinder body)
8	External handle
9	Internal handle

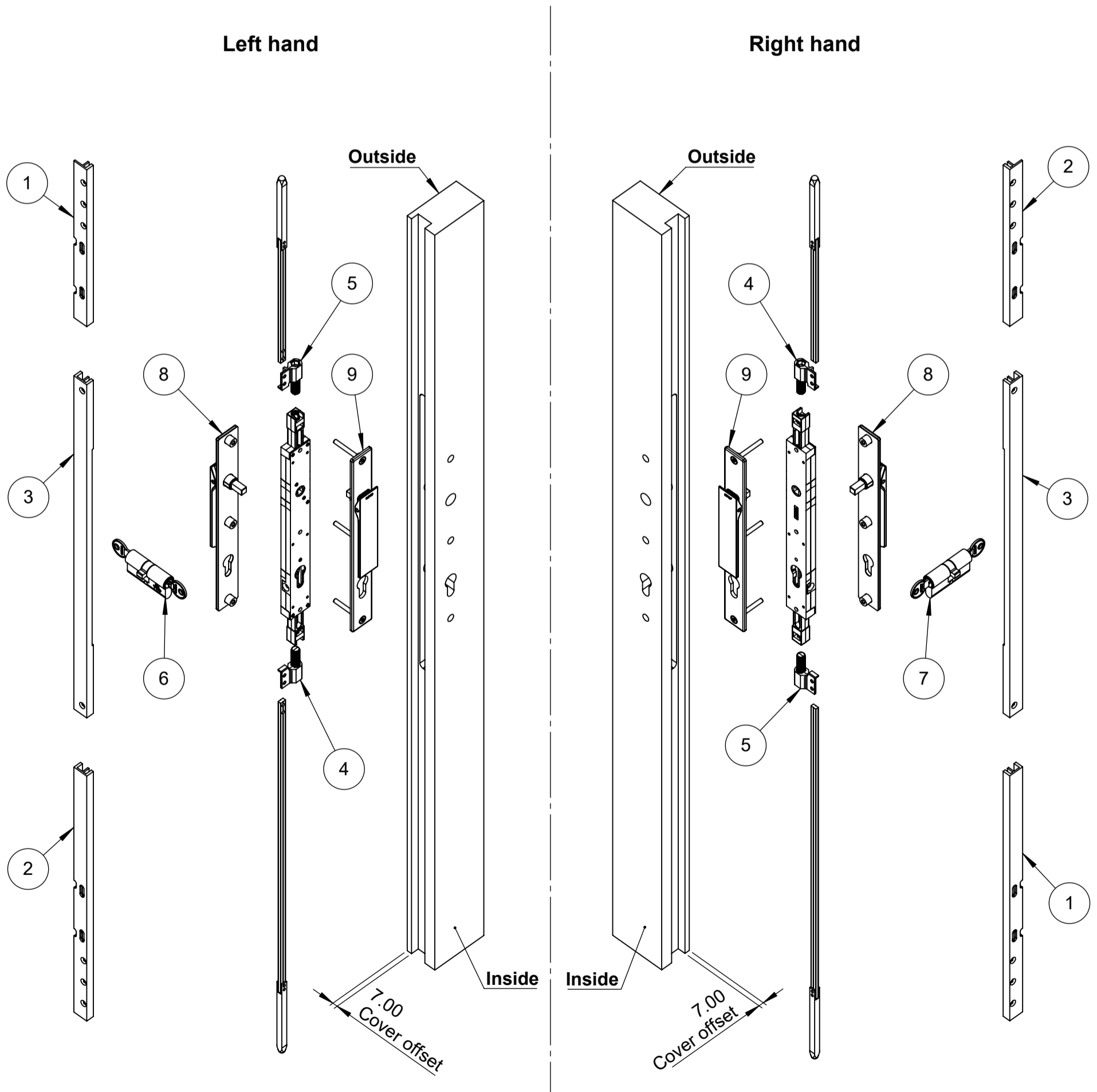




# HANDING DETAILS

## Inward opening

Item number	Description
1	Two covers are supplied with the same length, but are located differently for left hand and right hand lock assemblies. E.g the bottom cover for left will go to the top for right and vice versa.
2	
3	The same lock body cover is used regardless but oriented differently for left and right hand lock assemblies.
4	LKC-518-C for 26mm backset or LKC-518-E for 40mm backset. Part numbers are branded on parts.
5	LKC-518-D for 26mm backset or LKC-518-F for 40mm backset. Part numbers are branded on parts.
6	Left hand lock cylinder (handing indication engraved on cylinder body)
7	Right hand lock cylinder (handing indication engraved on cylinder body)
8	External handle
9	Internal handle

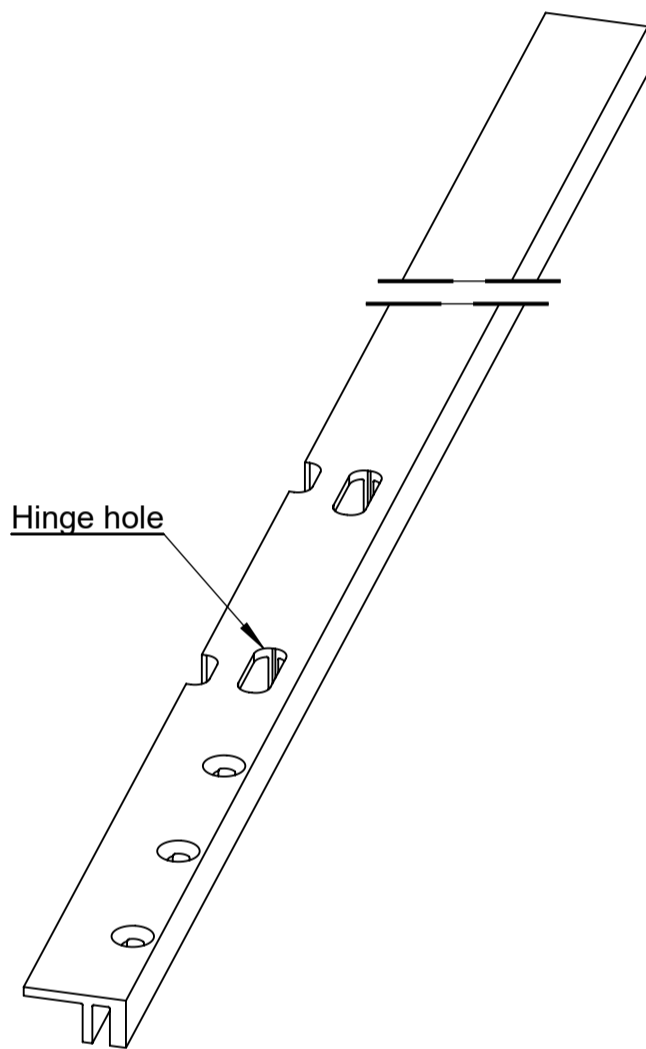


**Step 1. Identify bottom covers.**

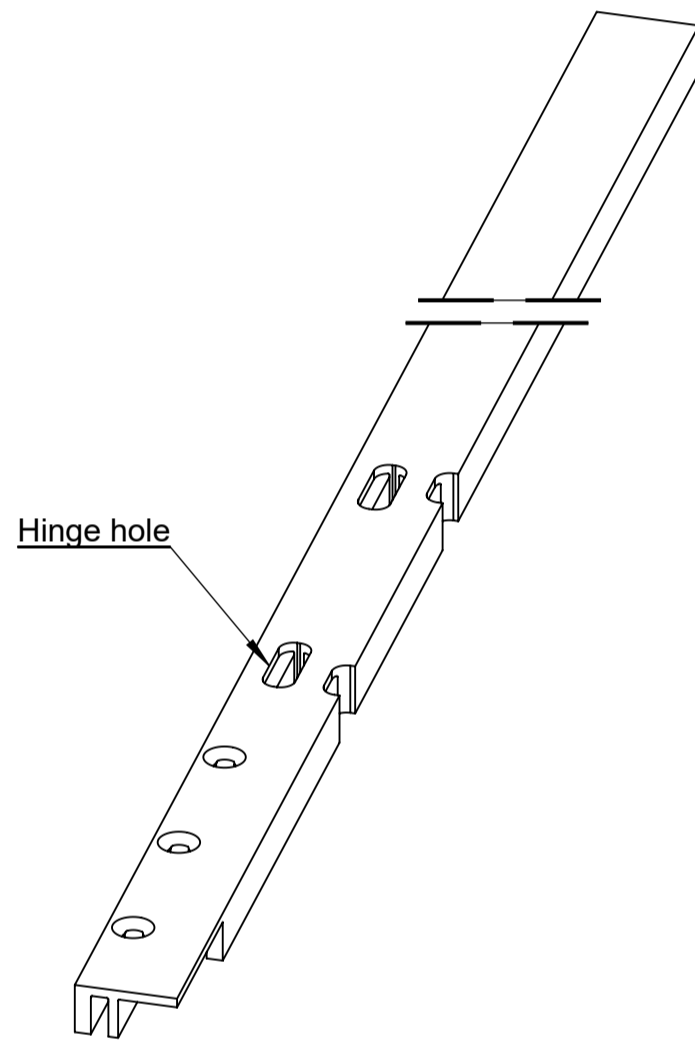
**Bottom cover**

Outward or inward

Note: Covers with hinge holes shown.



**Left hand**



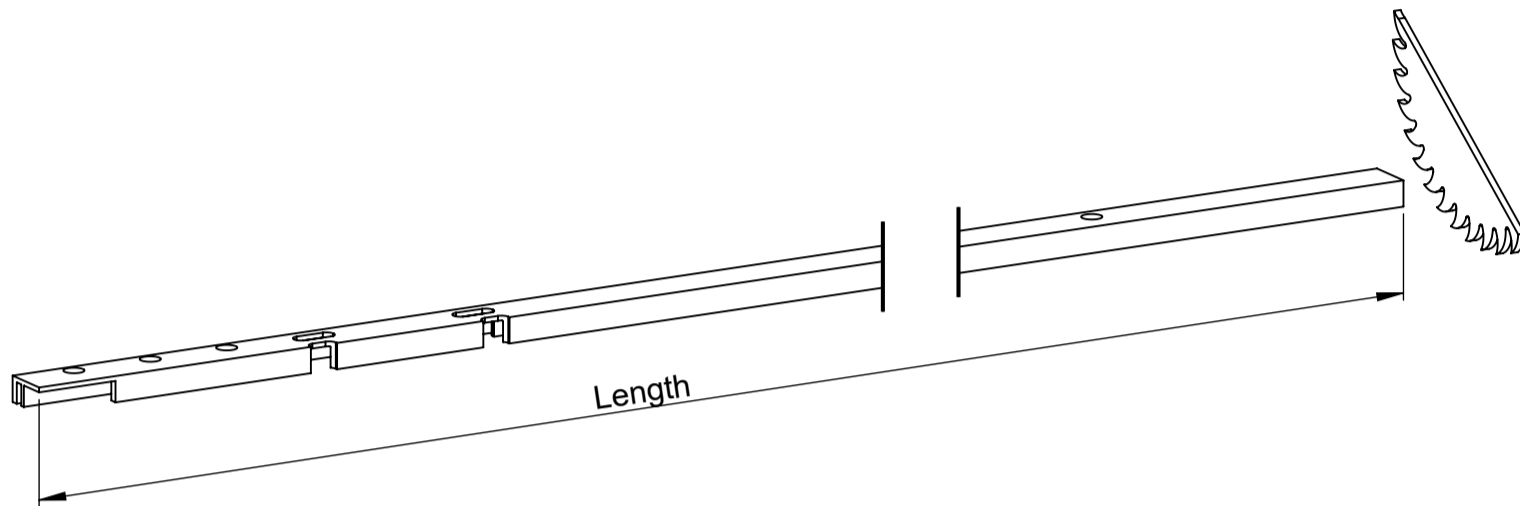
**Right hand**

**Top cover**

The top cover is mirrored to the bottom.

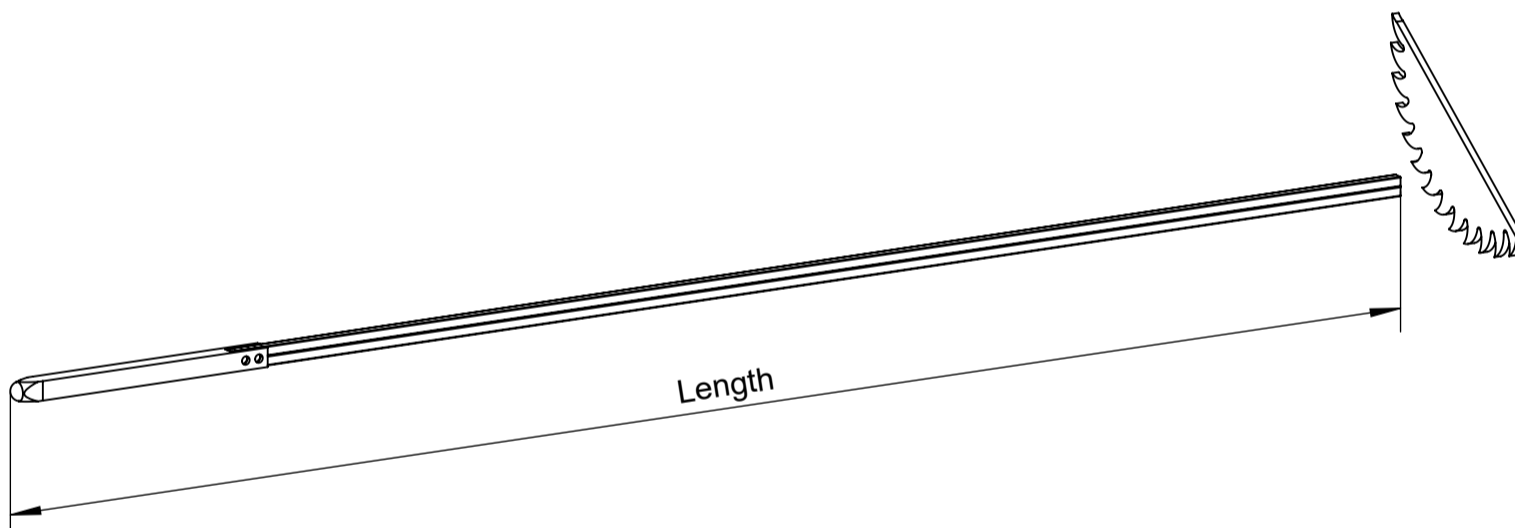
**Step 2. Cut the covers to length.**

For cover length, refer to TRANSMISSION ROD AND COVER LENGTH FORMULA section.



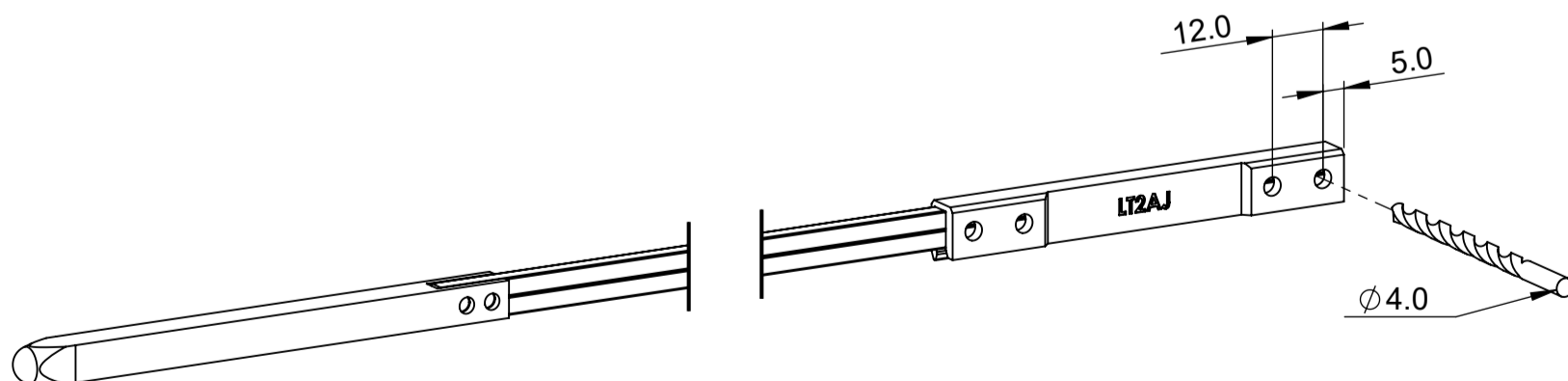
**Step 3. Cut the top and bottom transmission rods to length. Straight bolt shown.**

Refer to TRANSMISSION ROD AND COVER LENGTH FORMULA section.



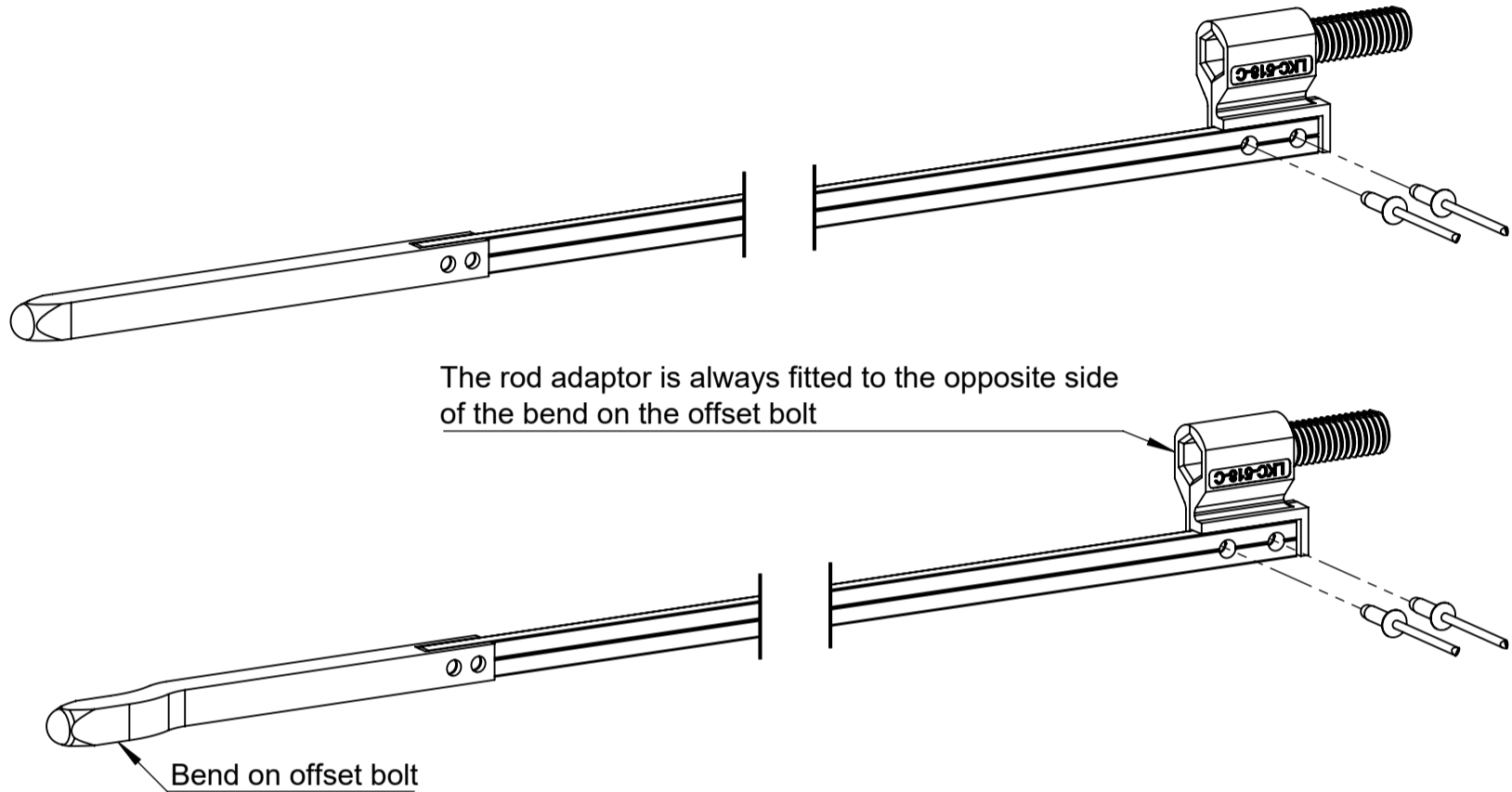
**Step 4. Drill two rivet holes for transmission rod adaptor.**

Keep the drilling jig flush with the end of the transmission rod.



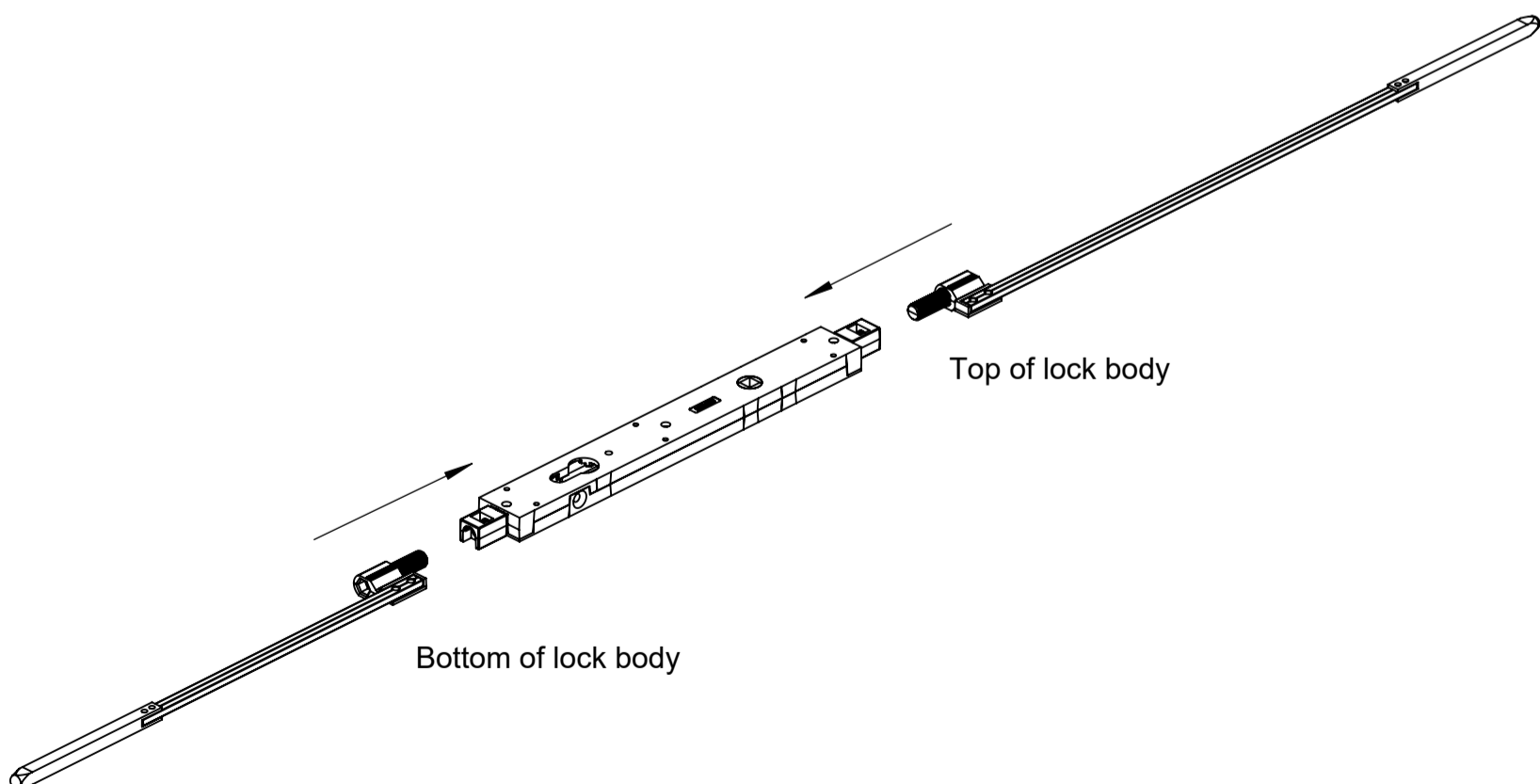
**Step 4. Connect transmission rod adaptor.**

Refer to HANDING DETAILS section, make sure the correct transmission rod adaptors are used for top and bottom rods. Use the pop rivets supplied to attach the transmission rod adaptor to the transmission rod. Insert the pop rivet through the rod into the adaptor.



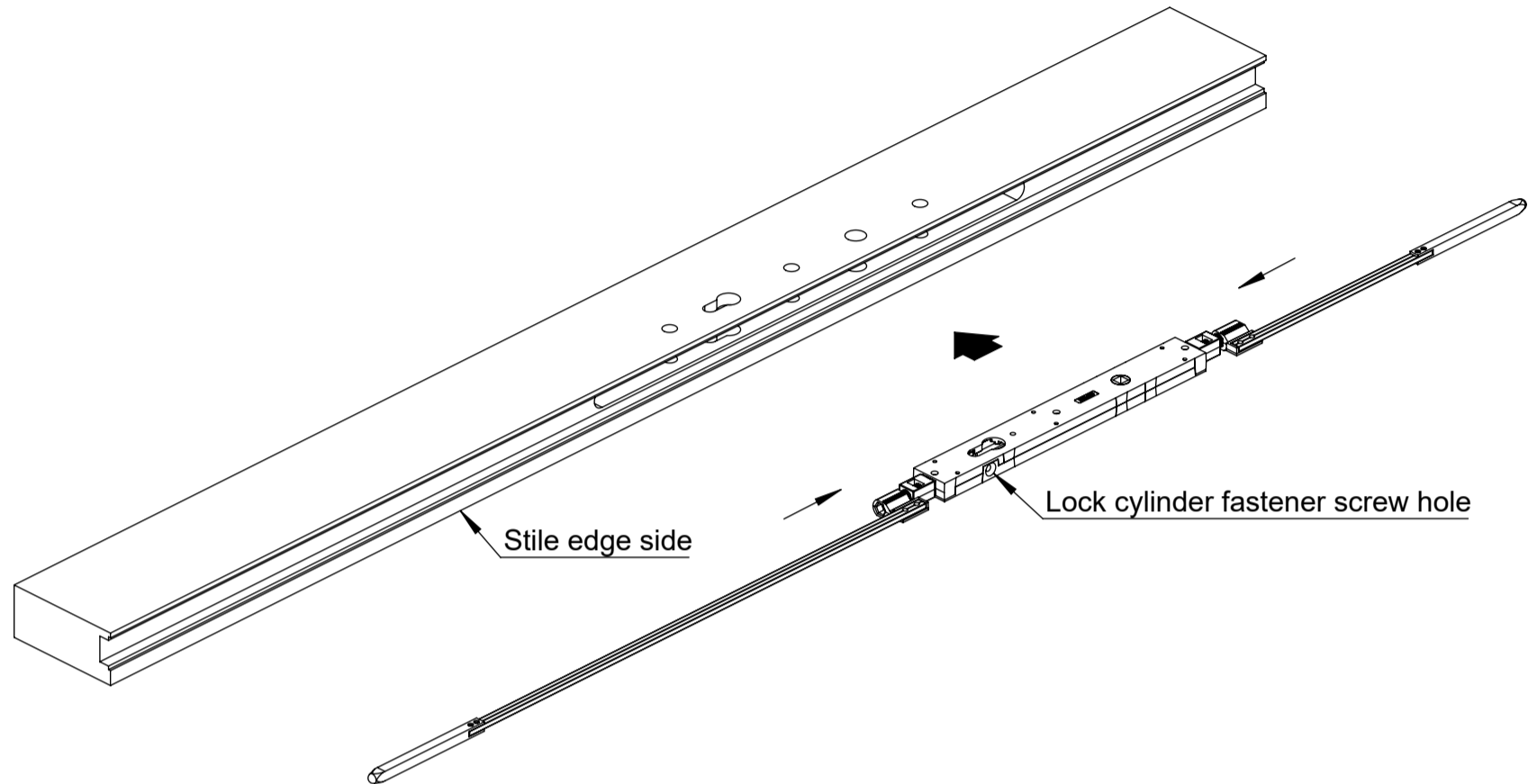
**Step 5. Connect transmission rod to lock body.**

Thread the transmission rod assemblies into the lock body until it bottoms out.

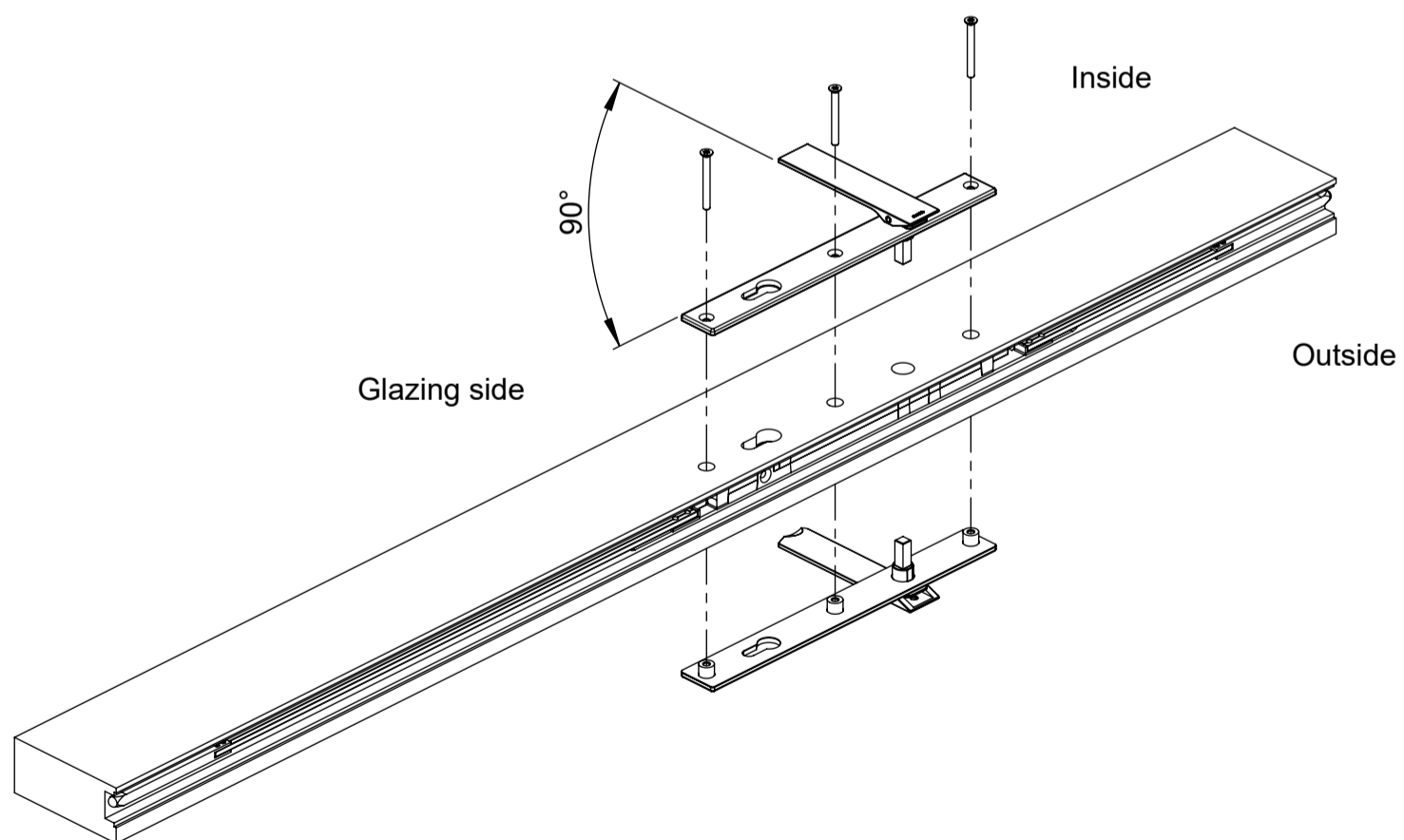


**Step 1. Fit the assembly into machined stile/panel.**

Check the lock handing is correct for the stile/panel. Make sure the lock is retracted and the lock cylinder fastener screw hole is facing outwards.

**Step 2. Fit the handles.**

The swing handles should be turned 90° into the glazing side before insertion.

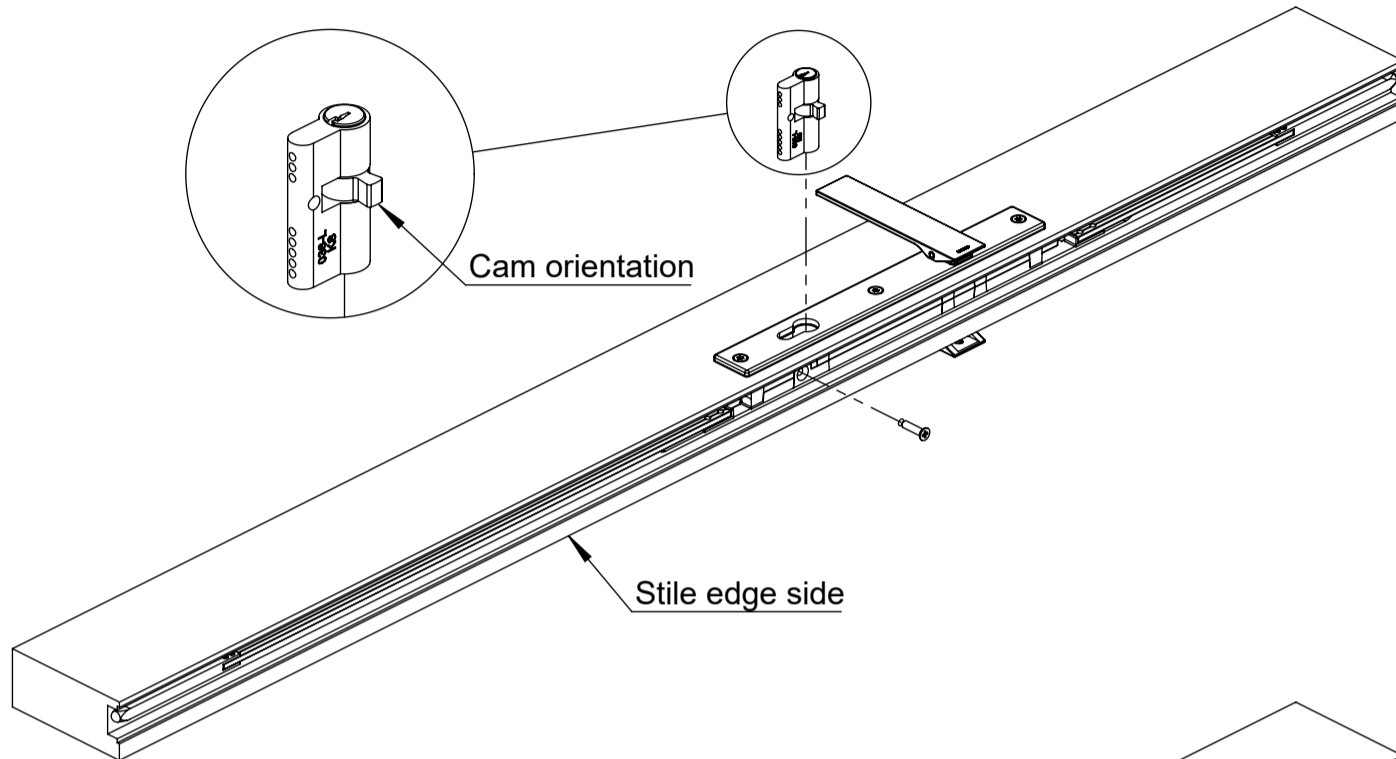


**Step 3. Insert the lock cylinder.**

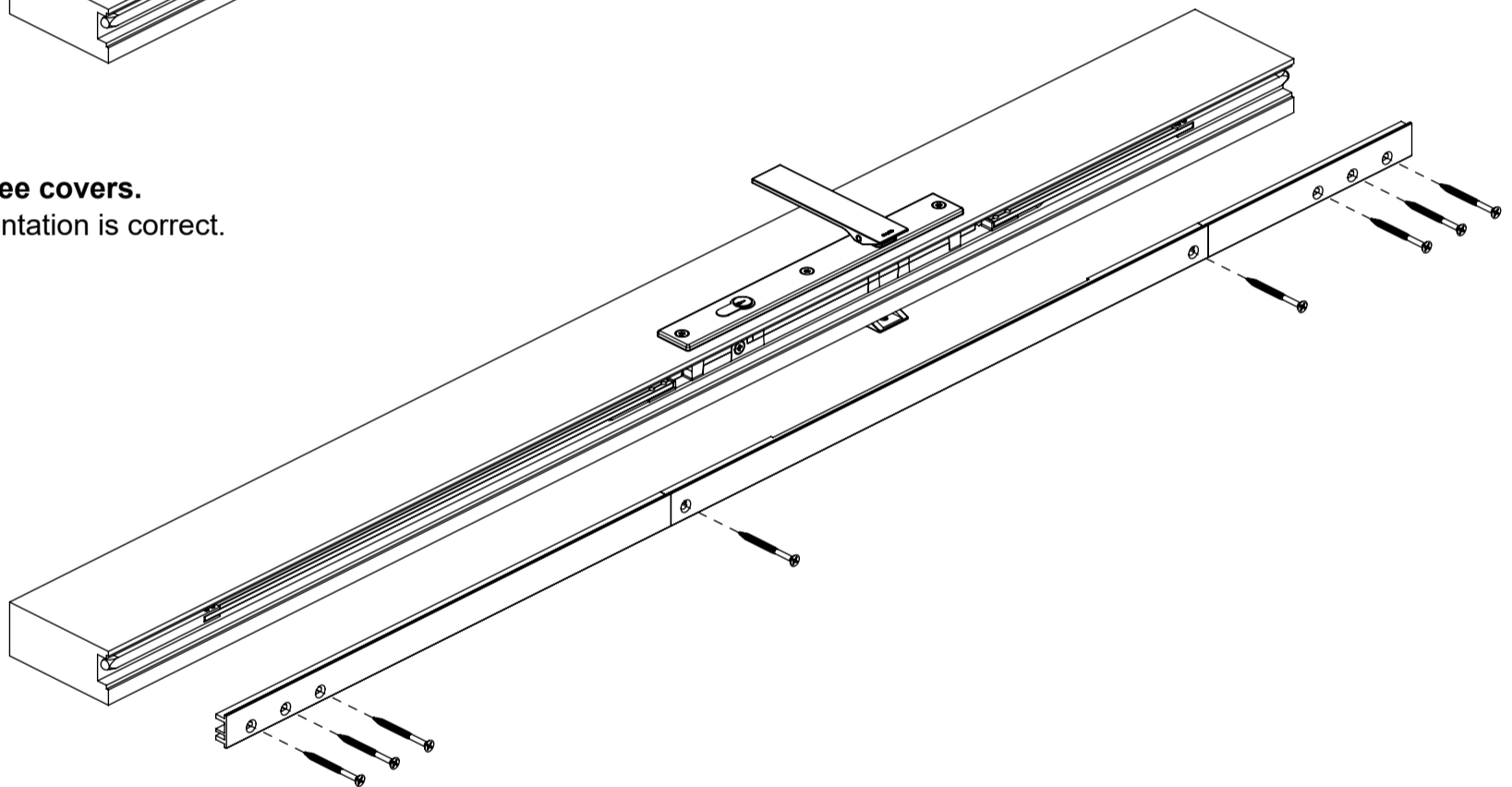
Refer to HANDING DETAILS section and check that the correct handed cylinder is supplied. The cam must face outwards when the key is removed.

Use the key to rotate the cam before inserting the cylinder.

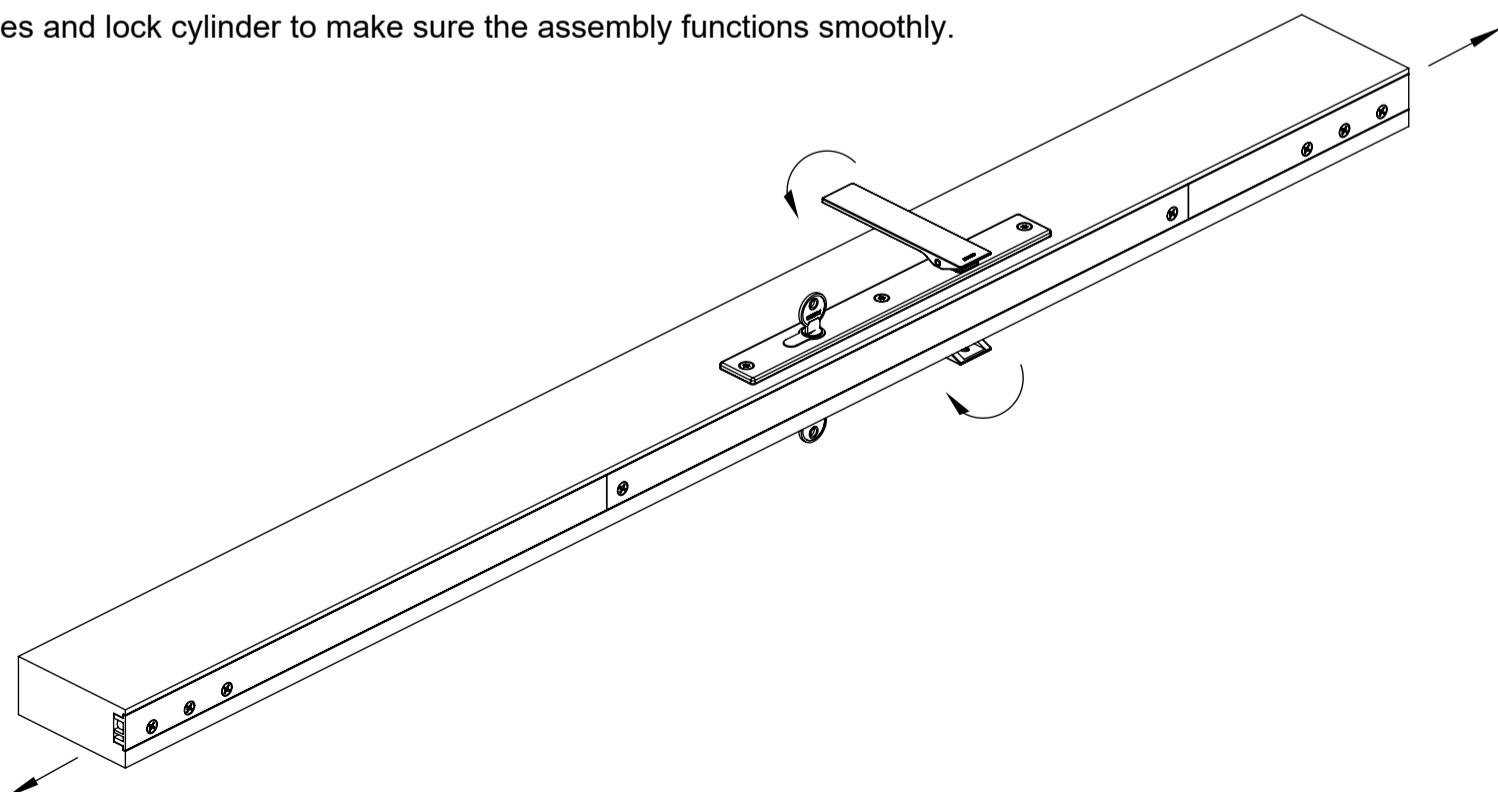
Secure the cylinder with the fixing screw supplied.

**Step 4. Fit the three covers.**


Make sure the orientation is correct.

**Step 5. Lock operation.**

Operate the handles and lock cylinder to make sure the assembly functions smoothly.



## Hardware components

Folding Hardware	Head	Sill	Panel			
			38, 40mm		42, 45mm	
			Outward	Inwards	Outward	Inwards
E2 Concealed	14TA 	E22FCR 	Offset bolt	Offset bolt	Straight bolt	Straight bolt
	14TA 	E2CS 	n/a	n/a	Offset bolt (42mm panel only)	Offset bolt (42mm panel only)
E2 Straight	14TA 	E2FCA 	Straight bolt	Straight bolt	Straight bolt	Straight bolt
	14TA 	E2IS 	Straight bolt	Straight bolt	n/a	n/a
E3 Concealed	E3TA 	E22FCR 	Offset bolt	Offset bolt	Straight bolt	Straight bolt
	E3TA 	E2IS 	Offset bolt	Offset bolt	n/a	n/a
	E3TA 	E2CS 	n/a	n/a	Offset bolt (42mm panel only)	Offset bolt (42mm panel only)
E3 Straight	E3TA 	E2FCA 	Offset bolt	Offset bolt	Straight bolt	Straight bolt
F2 & F3 Concealed	FRAHT 	FRAST 	Offset bolt	n/a	Straight bolt	n/a

## Handles and lock cylinders

Panel thickness	Opening	Handle			Cylinder	
		Double handle keyed	Single handle keyed	Single handle non-keyed	Single	Double
38	Outward	TPL-001-AC-*	TPL-024-C-*	TPL-002-C-*	TPL-022-*	TPL-036-* or TPL-021-*
	Inward	TPL-001-CA-*	TPL-024-E-*	TPL-002-E-*	TPL-023-*	TPL-021-*
40	Outward	TPL-001-AC-*	TPL-024-C-*	TPL-002-C-*	TPL-022-*	TPL-036-* or TPL-021-*
	Inward	TPL-001-CA-*	TPL-024-E-*	TPL-002-E-*	TPL-023-*	TPL-021-*
42	Outward	TPL-001-AE-*	TPL-024-C-*	TPL-002-C-*	TPL-022-*	TPL-036-* or TPL-021-*
	Inward	TPL-001-EA-*	TPL-024-G-*	TPL-002-G-*	TPL-023-*	TPL-021-*
45	Outward	TPL-001-AE-*	TPL-024-C-*	TPL-002-C-*	TPL-022-*	TPL-036-* or TPL-021-*
	Inward	TPL-001-EA-*	TPL-024-G-*	TPL-002-G-*	TPL-023-*	TPL-021-*

**ARCHITECTURAL DETAIL**

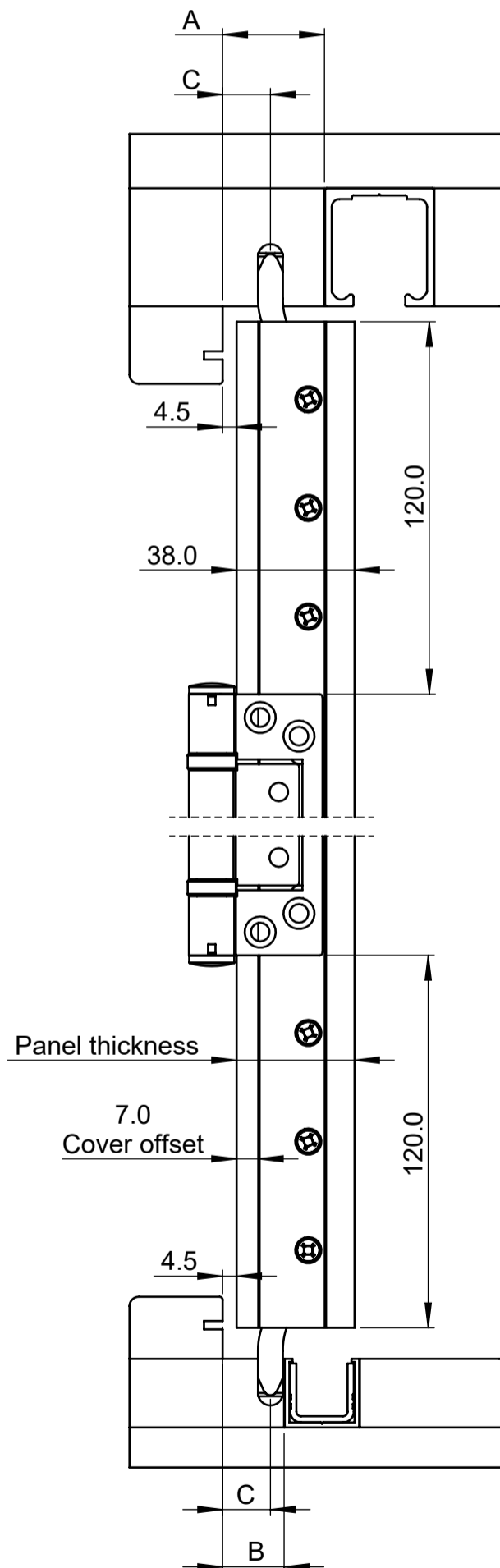
Centor E2 concealed folding hardware

Head	14TA
Sill	E22FCR
Perimeter seal	AQ21

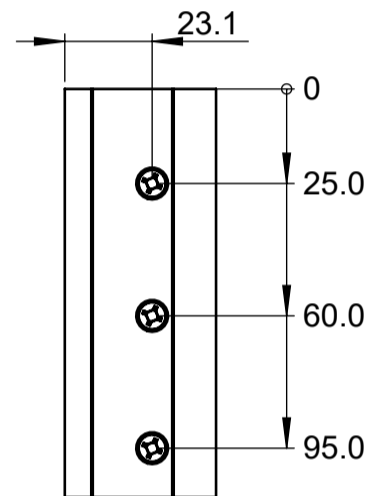
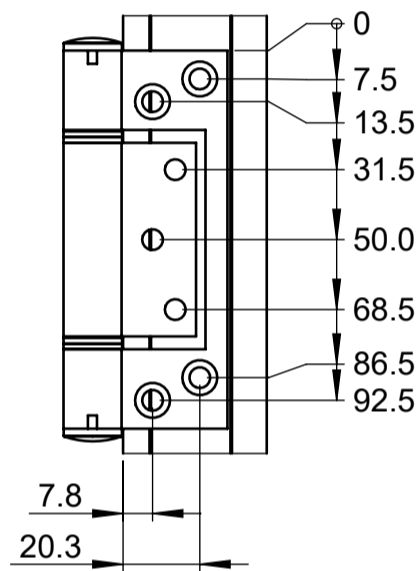
Panel thickness	Bolt type	A	B	C
38.0	Offset	32.8	19.8	15.4
40.0	Offset	34.8	21.8	15.4
42.0	Straight	36.8	23.8	19.6
45.0	Straight	39.8	26.8	19.6

Notes:

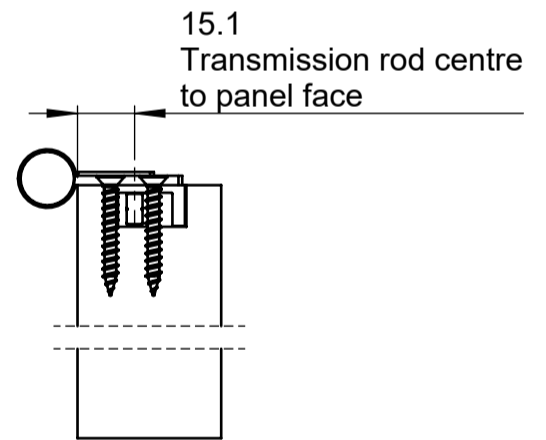
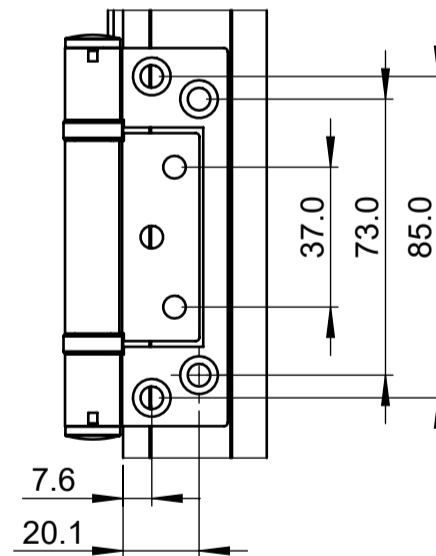
38mm panel shown.



**E2 aluminium hinge**



**E2 stainless steel hinge**





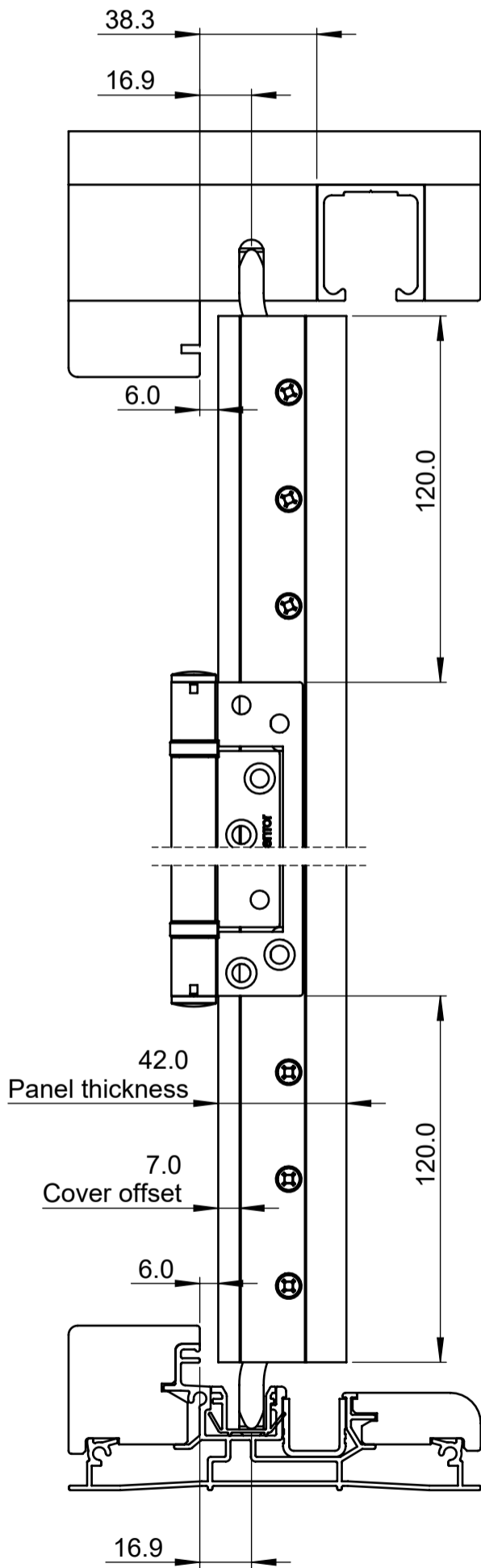
# ARCHITECTURAL DETAIL

## Centor E2 concealed folding hardware

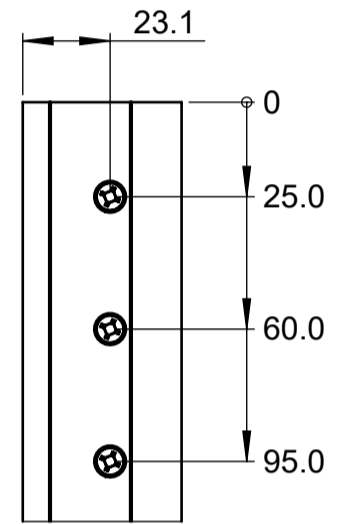
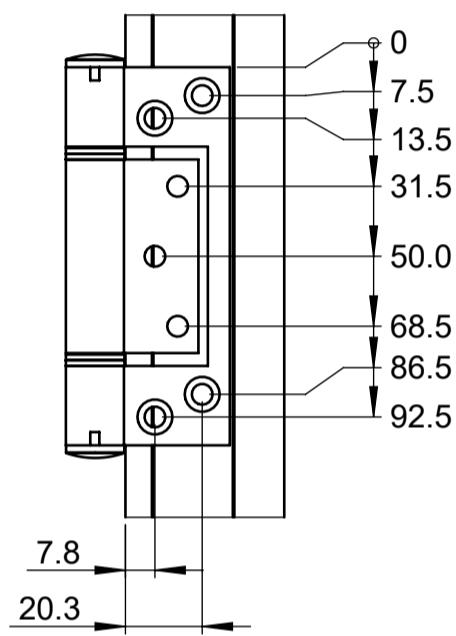
Head	14TA
Sill	E2CS
Perimeter seal	AQ21

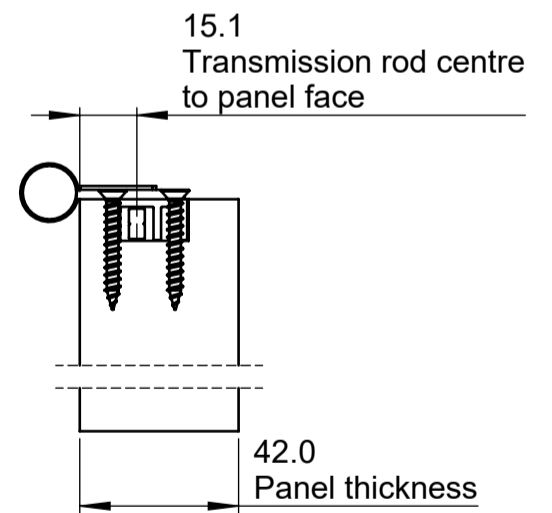
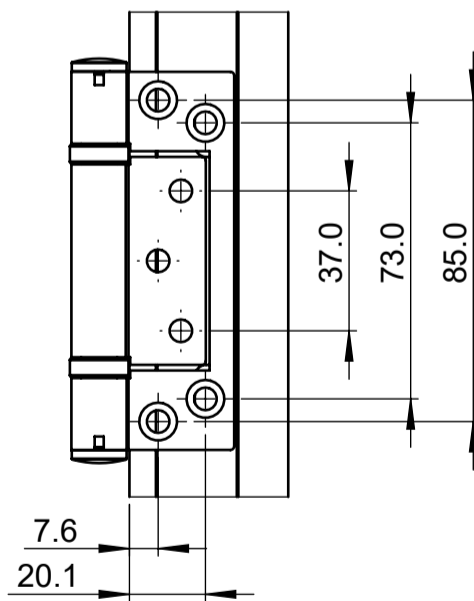
Panel thickness	42.0
Bolt type	Offset



**E2 aluminium hinge**



**E2 stainless steel hinge**



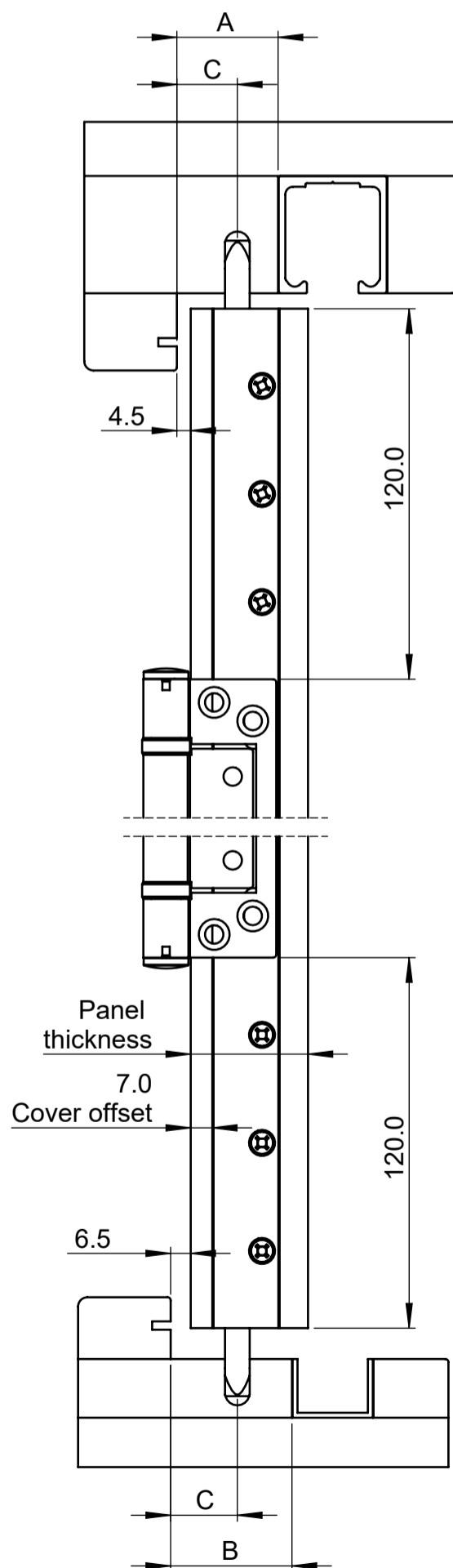
# ARCHITECTURAL DETAIL

## Centor E2 straight folding hardware

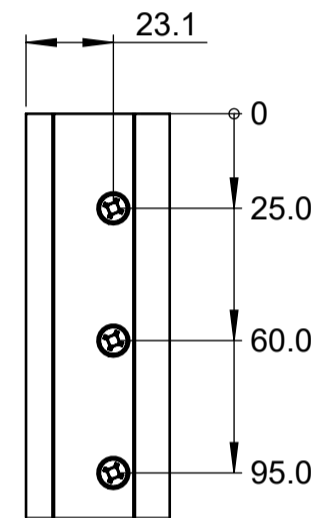
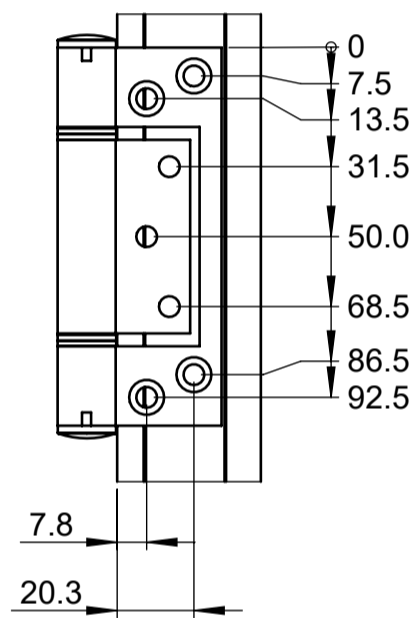
Head	14TA
Sill	E2FCA
Perimeter seal	AQ21

Panel thickness	Bolt type	A	B	C
38.0	Straight	32.8	39.3	19.6
40.0	Straight	34.8	41.3	19.6
42.0	Straight	36.8	43.3	19.6
45.0	Straight	39.8	46.3	19.6

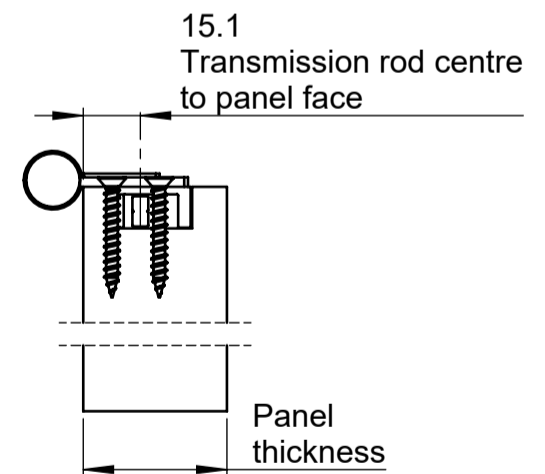
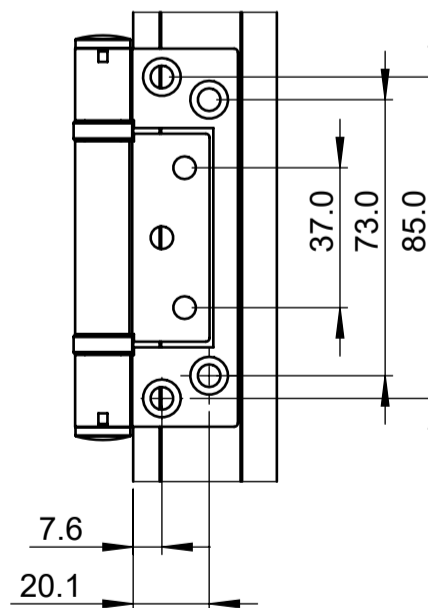
Notes:  
38mm panel shown.



E2 aluminium hinge



E2 stainless steel hinge



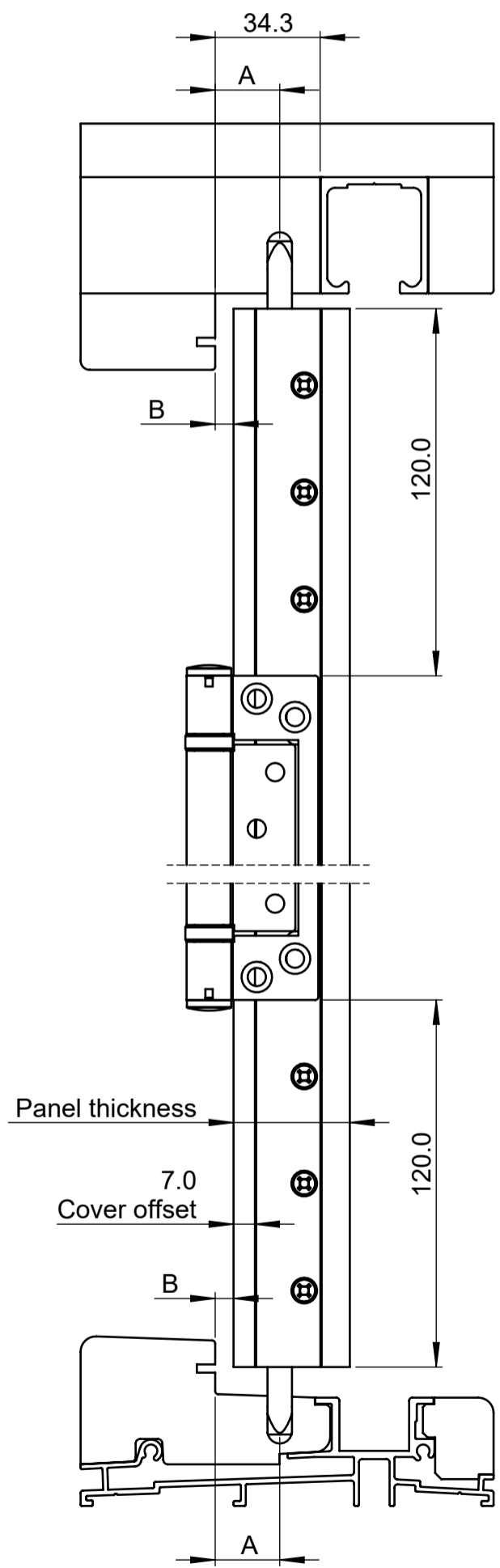
**ARCHITECTURAL DETAIL**

Centor E2 straight folding hardware

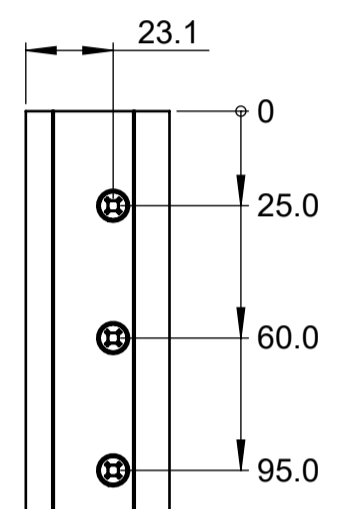
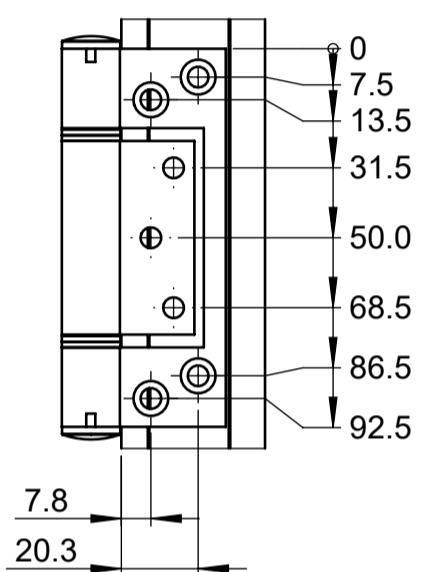
Head	14TA
Sill	E2IS
Perimeter seal	AQ21

Panel thickness	Bolt type	A	B
38.0	Straight	21.1	6.0
40.0	Straight	19.1	4.0

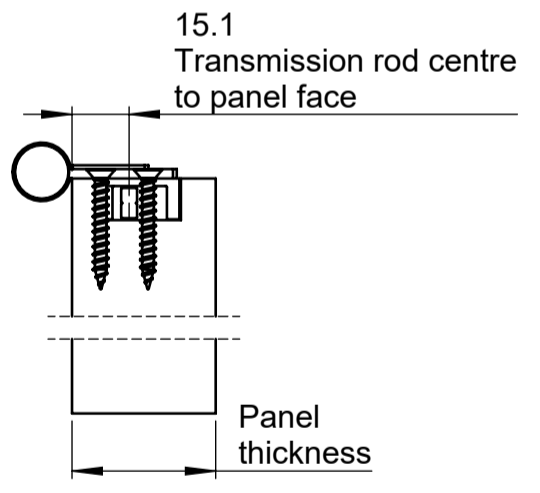
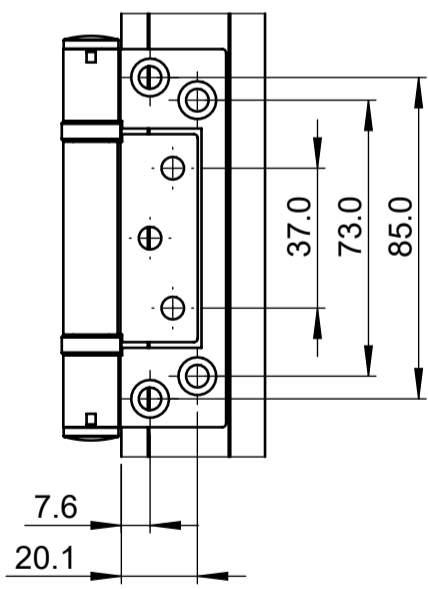
Notes:  
38mm panel shown.



**E2 aluminium hinge**



**E2 stainless steel hinge**



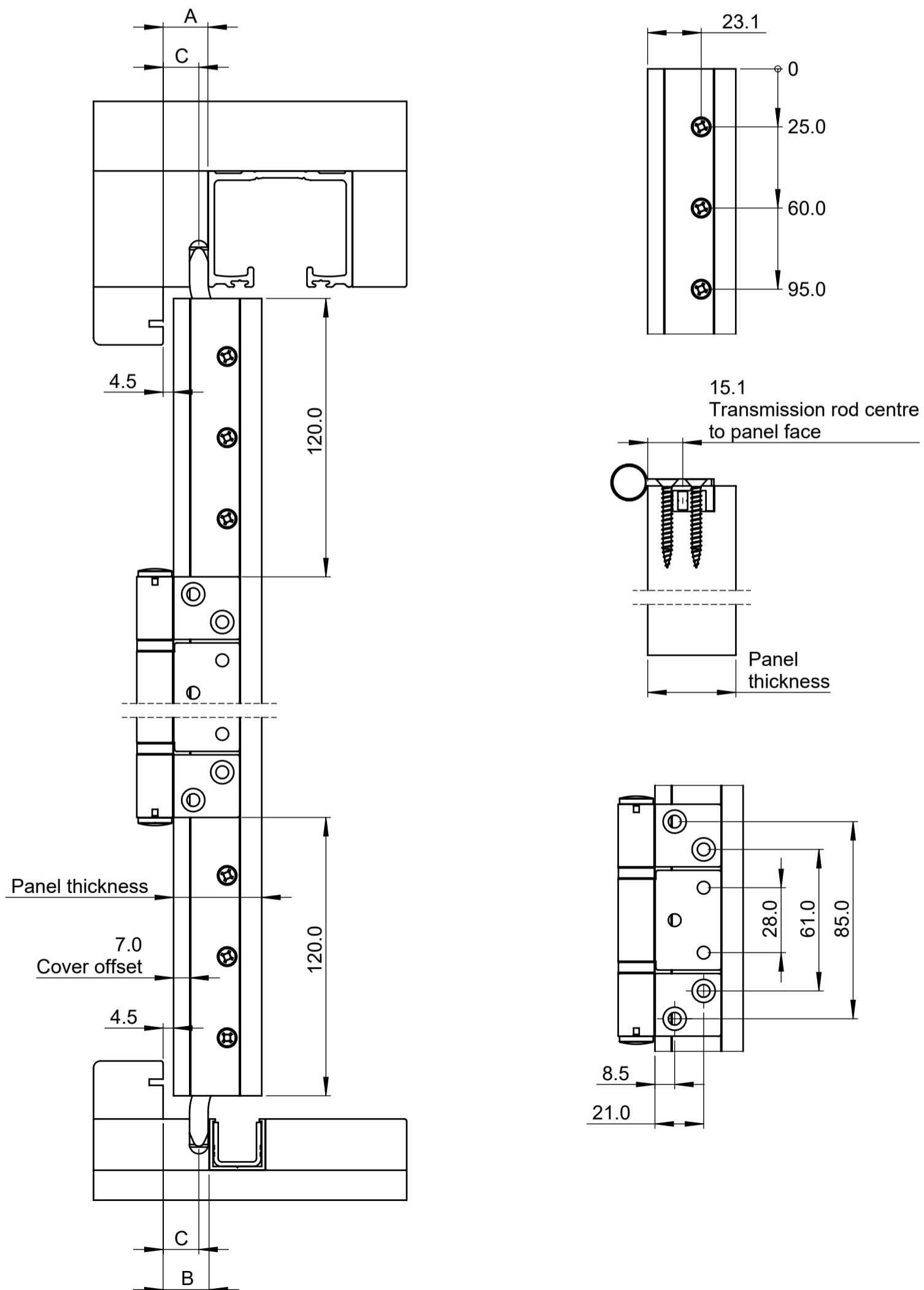
# ARCHITECTURAL DETAIL

## Centor E3 concealed folding hardware

Head	E3TA
Sill	E22FCR
Perimeter seal	AQ21

Panel thickness	Bolt type	A	B	C
38.0	Offset	19.3	19.8	15.4
40.0	Offset	21.3	21.8	15.4
42.0	Straight	23.3	23.8	19.6
45.0	Straight	26.3	26.8	19.6

Notes:  
38mm panel shown.



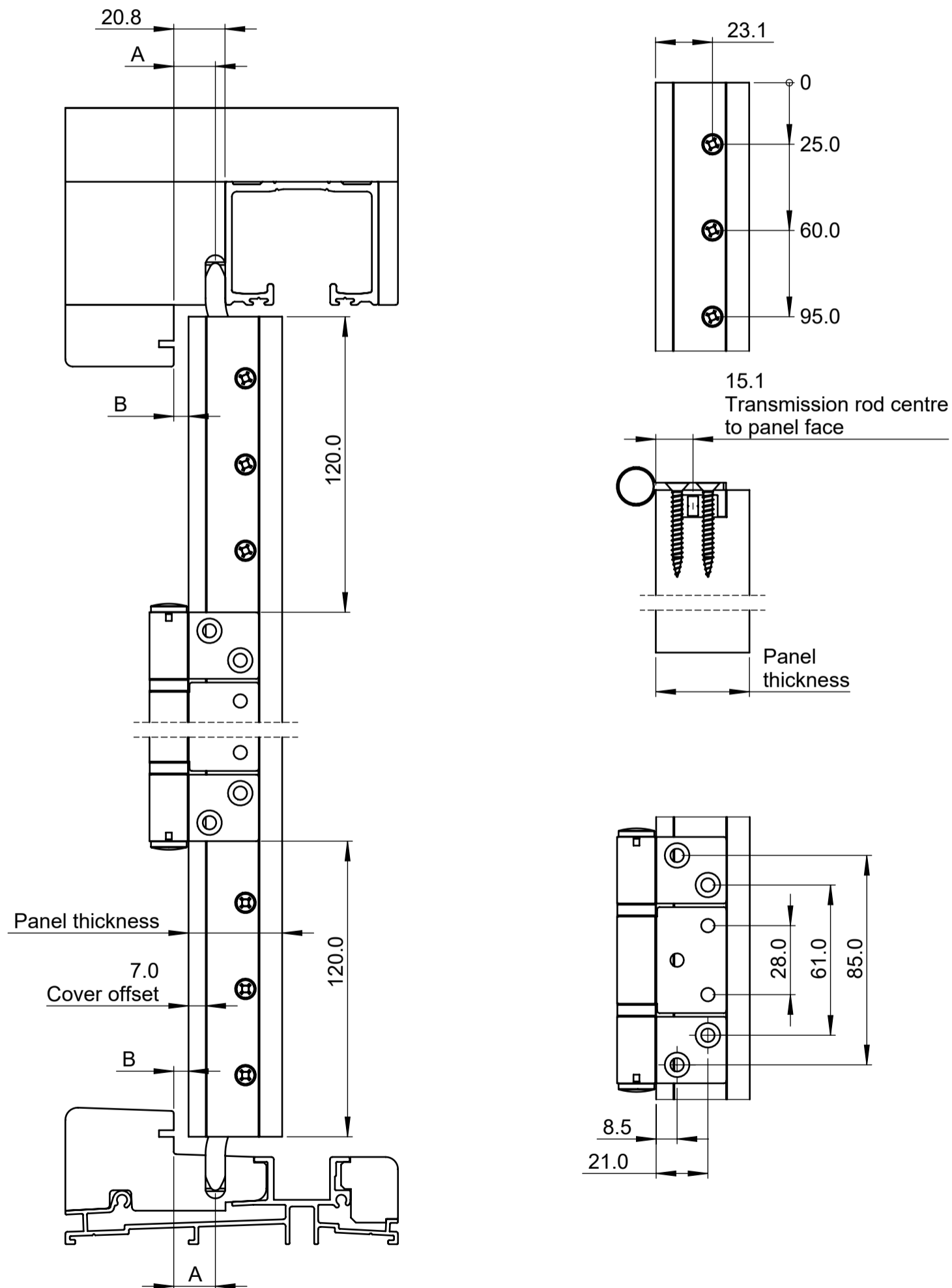
# ARCHITECTURAL DETAIL

## Centor E3 straight folding hardware

Head	E3TA
Sill	E2IS
Perimeter seal	AQ21

Panel thickness	Bolt type	A	B
38.0	Offset	16.9	6.0
40.0	Offset	14.9	4.0

Notes:  
38mm panel shown.

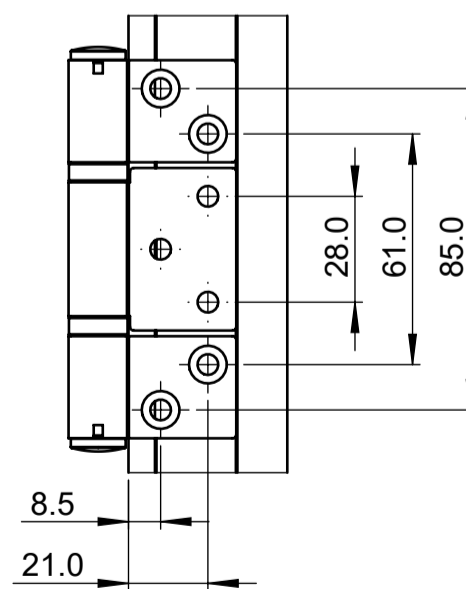
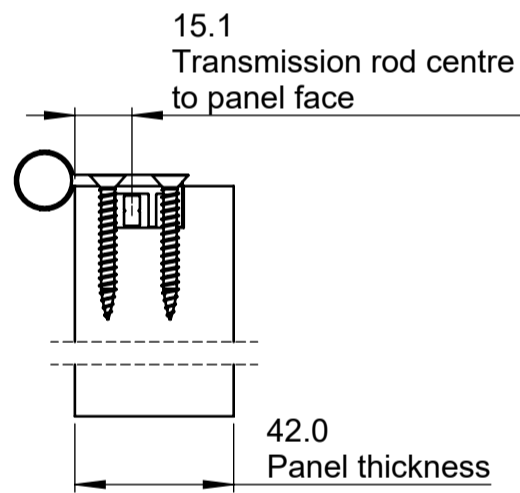
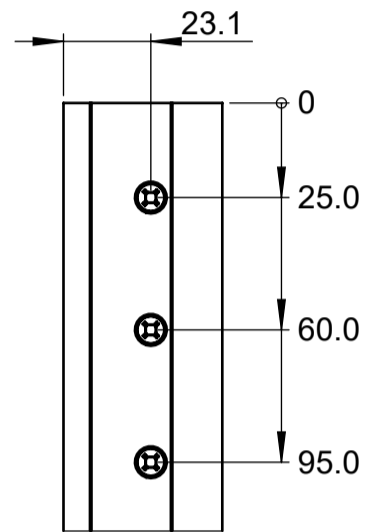
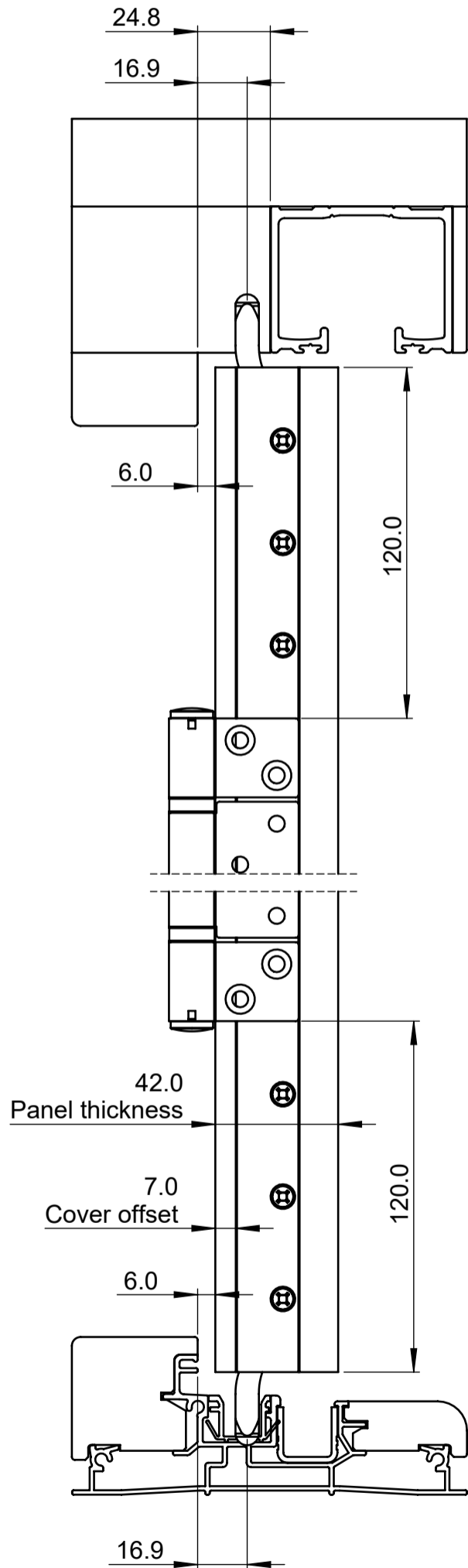


# ARCHITECTURAL DETAIL

## Centor E3 concealed folding hardware

Head	E3TA
Sill	E2CS
Perimeter seal	AQ21

Panel thickness	42.0
Bolt type	Offset



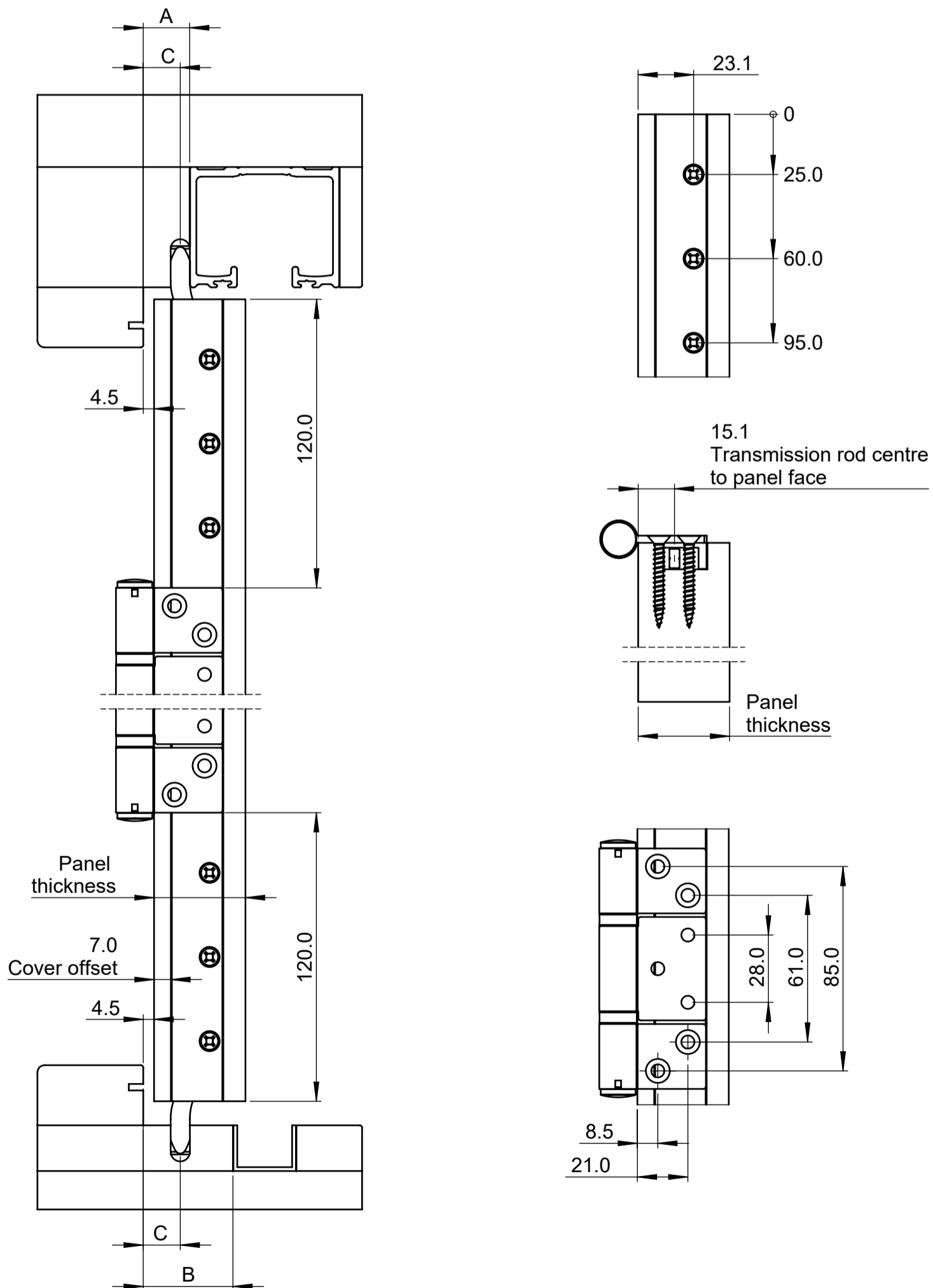
# ARCHITECTURAL DETAIL

## Centor E3 straight folding hardware

Head	E3TA
Sill	E2FCA
Perimeter seal	AQ21

Panel thickness	Bolt type	A	B	C
38.0	Offset	19.3	37.3	15.4
40.0	Offset	21.3	39.3	15.4
42.0	Straight	23.3	41.3	19.6
45.0	Straight	26.3	44.3	19.6

Notes:  
38mm panel shown.



# ARCHITECTURAL DETAIL

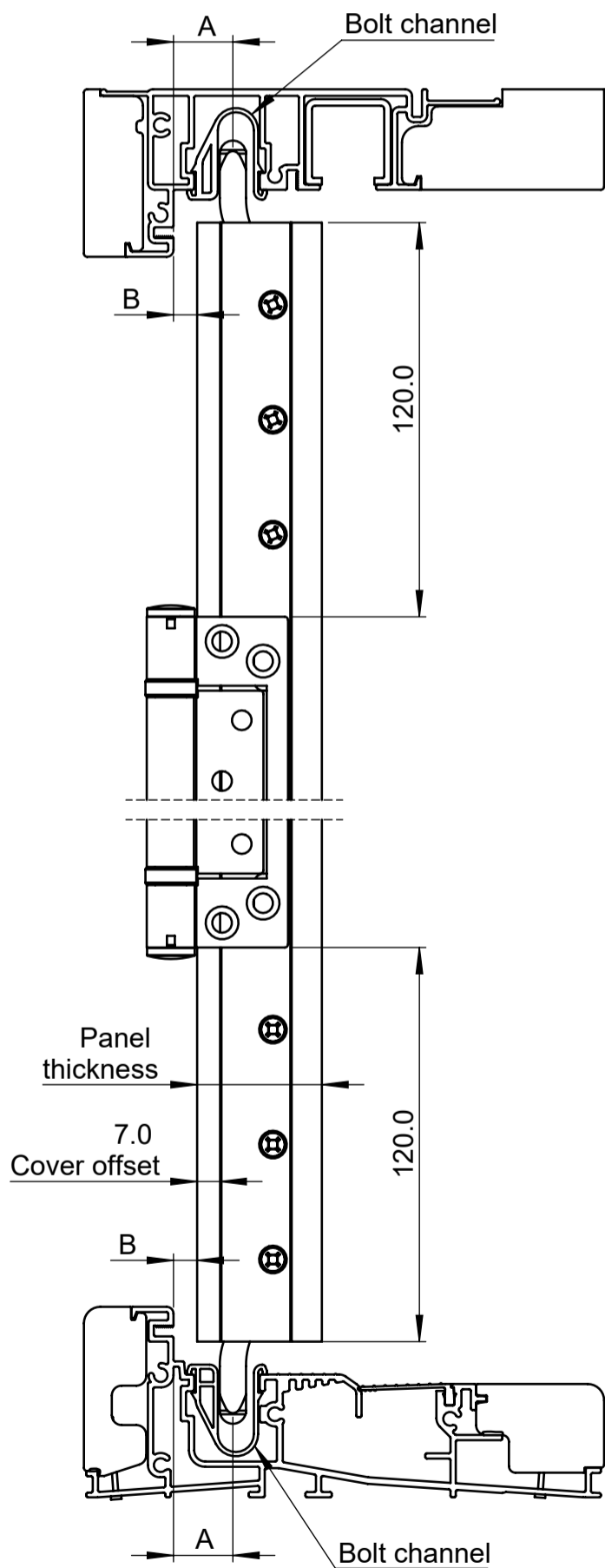
## Centor F2 or F3 straight folding hardware

Head	FRAHTA
Sill	FRASTA
Perimeter seal	AQ21

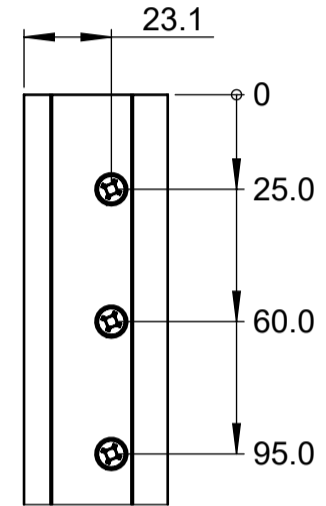
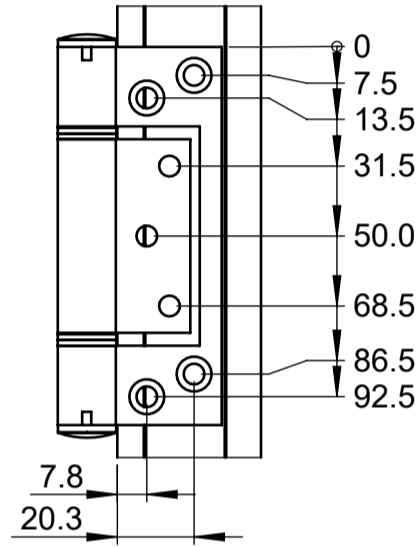
Panel thickness	Bolt type	A	B
38.0	Offset	18.1	7.2
40.0	Offset	16.1	5.2

Notes:

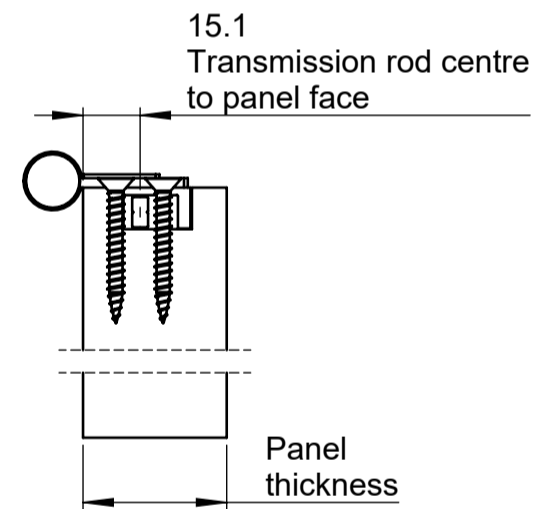
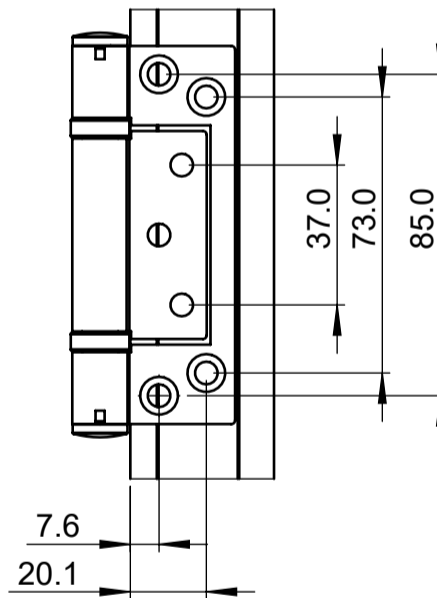
1. 38mm panel shown.
2. For 40mm panel, the bolt channel needs to be fitted the other way around.



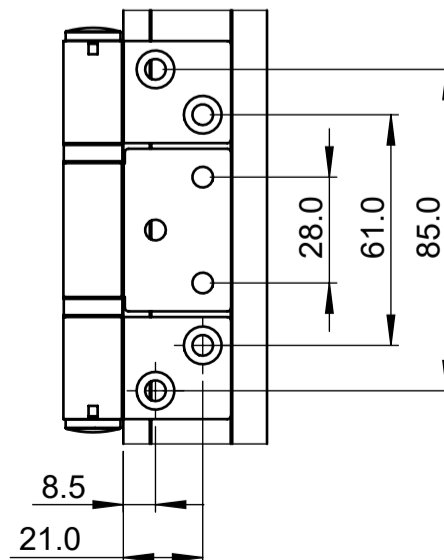
### E2 aluminium hinge



### E2 stainless steel hinge



### E3 stainless steel hinge

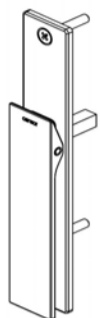




Part	Item number	Item name
------	-------------	-----------

**Single Handles - non-keyed**

*Contents*  
 1 x handle set, 1 x gasket, 2 x mounting screws



**Outward opening**

38, 40, 42 & 45mm thick panels - 20.5mm spindle depth

TPL-002-C-S	Single Handle H01 185mm, non-keyed, brushed stainless
TPL-002-C-OL	Single Handle H01 185mm, non-keyed, PVD black
TPL-002-C-TG	Single Handle H01 185mm, non-keyed, PVD brass

**Inward opening**

38 & 40mm thick panels - 24.5mm spindle depth

TPL-002-E-S	Single Handle H01 185mm, non-keyed, brushed stainless
TPL-002-E-OL	Single Handle H01 185mm, non-keyed, PVD black
TPL-002-E-TG	Single Handle H01 185mm, non-keyed, PVD brass

42 & 45mm thick panels - 29.5mm spindle depth

TPL-002-G-S	Single Handle H01 185mm, non-keyed, brushed stainless
TPL-002-G-OL	Single Handle H01 185mm, non-keyed, PVD black
TPL-002-G-TG	Single Handle H01 185mm, non-keyed, PVD brass

**Single handles - keyed**

*Contents*  
 1 x handle set, 1 x gasket, 2 x mounting screws



**Outward opening**

38, 40, 42 & 45mm thick panels - 20.5mm spindle depth

TPL-024-C-S	Single Handle H01 280mm, keyed, brushed stainless
TPL-024-C-OL	Single Handle H01 280mm, keyed, PVD black
TPL-024-C-TG	Single Handle H01 280mm, keyed, PVD brass

**Inward opening**

38 & 40mm thick panels - 24.5mm spindle depth

TPL-024-E-S	Single Handle H01 280mm, keyed, brushed stainless
TPL-024-E-OL	Single Handle H01 280mm, keyed, PVD black
TPL-024-E-TG	Single Handle H01 280mm, keyed, PVD brass

42 & 45mm thick panels - 29.5mm spindle depth

TPL-024-G-S	Single Handle H01 280mm, keyed, brushed stainless
TPL-024-G-OL	Single Handle H01 280mm, keyed, PVD black
TPL-024-G-TG	Single Handle H01 280mm, keyed, PVD brass

TwinPoint Gen2 - Australian Catalogue

Part	Item number	Item name
------	-------------	-----------

**Double handles - keyed**

*Contents*

1 x internal handle set, 1 x external handle set, 2 x gasket, 3 x mounting screws

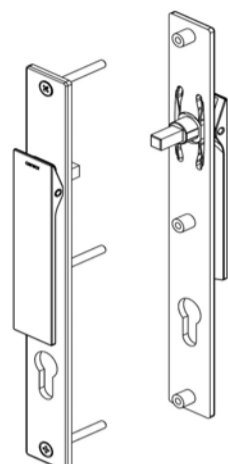
**Outward opening**

38 & 40mm thick panels - 16.5mm-20.5mm spindle depth

- TPL-001-AC-S Double Handle H01 280mm, keyed, brushed stainless
- TPL-001-AC-OL Double Handle H01 280mm, keyed, PVD black
- TPL-001-AC-TG Double Handle H01 280mm, keyed, PVD brass

42 & 45mm thick panels - 16.5mm-24.5mm spindle depth

- TPL-001-AE-S Double Handle H01 280mm, keyed, brushed stainless
- TPL-001-AE-OL Double Handle H01 280mm, keyed, PVD black
- TPL-001-AE-TG Double Handle H01 280mm, keyed, PVD brass



**Inward opening**

38 & 40mm thick panels - 20.5mm-16.5mm spindle depth

- TPL-001-CA-S Double Handle H01 280mm, keyed, brushed stainless
- TPL-001-CA-OL Double Handle H01 280mm, keyed, PVD black
- TPL-001-CA-TG Double Handle H01 280mm, keyed, PVD brass

42 & 45mm thick panels - 24.5mm-16.5mm spindle depth

- TPL-001-EA-S Double Handle H01 280mm, keyed, brushed stainless
- TPL-001-EA-OL Double Handle H01 280mm, keyed, PVD black
- TPL-001-EA-TG Double Handle H01 280mm, keyed, PVD brass

**Lock bodies**

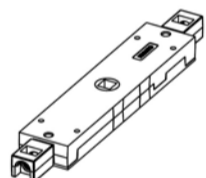
*Contents*

1 x lock body

**For single handle**

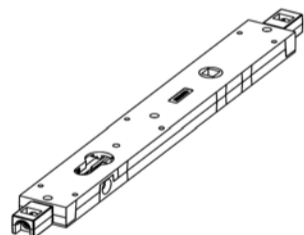
Non-keyed

- TPL-004 Lock body to suit single handle 185mm, non-keyed



Keyed

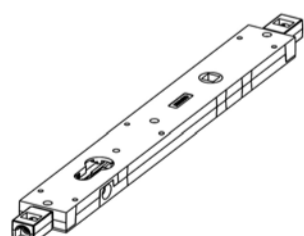
- TPL-025 Lock body to suit single handle 280mm, keyed



**For double handle**

Keyed

- TPL-003 Lock body to suit double handle 280mm, keyed



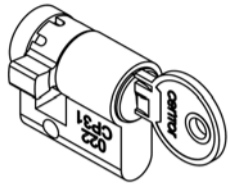
TwinPoint Gen2 - Australian Catalogue

Part	Item number	Item name
<b>Single Lock Cylinders</b>		

**Outward opening - 3 pin 23mm**

*Contents*

*1 x cylinder, 3 x 5-pin key, 1 x 20mm long cylinder screw, 1 x Rehanding instruction.*



Keyed alike

- TPL-022-KA-US15 Lock cylinder Euro single C4 3 pin 23mm, satin nickle
- TPL-022-KA-MB Lock cylinder Euro single C4 3 pin 23mm, matt black
- TPL-022-KA-TG Lock cylinder Euro single C4 3 pin 23mm, PVD brass

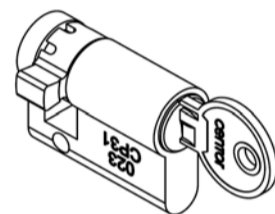
Keyed different

- TPL-022-KD-US15 Lock cylinder Euro single C4 3 pin 23mm, satin nickle
- TPL-022-KD-MB Lock cylinder Euro single C4 3 pin 23mm, matt black
- TPL-022-KD-TG Lock cylinder Euro single C4 3 pin 23mm, PVD brass

**Inward opening - 5 pin 32mm**

*Contents*

*1 x cylinder, 3 x 5-pin key, 1 x 20mm long cylinder screw, 1 x Rehanding instruction.*



Keyed alike

- TPL-023-KA-US15 Lock cylinder Euro single C4 5 pin 32mm, satin nickle
- TPL-023-KA-MB Lock cylinder Euro single C4 5 pin 32mm, matt black
- TPL-023-KA-TG Lock cylinder Euro single C4 5 pin 32mm, PVD brass

Keyed different

- TPL-023-KD-US15 Lock cylinder Euro single C4 5 pin 32mm, satin nickle
- TPL-023-KD-MB Lock cylinder Euro single C4 5 pin 32mm, matt black
- TPL-023-KD-TG Lock cylinder Euro single C4 5 pin 32mm, PVD brass

Part	Item number	Item name
------	-------------	-----------

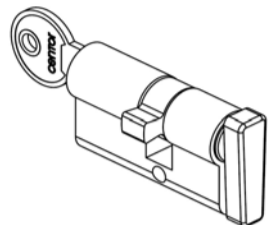
**Double lock cylinders**

**Outward opening - 3/5 pin 55mm with removable thumb turn**

*Contents*

1 x cylinder, 2 x 3-Pin key, 2 x 3-Pin thumb turn, 2 x 5-pin key, 1 x 20mm long cylinder screw

Keyed special - left hand



TPL-036-L-KS-US15 Lock cylinder Euro double C4 3/5 pin 55mm (23-32) left hand, satin nickle

TPL-036-L-KS-MB Lock cylinder Euro double C4 3/5 pin 55mm (23-32) left hand, matt black

TPL-036-L-KS-TG Lock cylinder Euro double C4 3/5 pin 55mm (23-32) left hand, PVD brass

Keyed special - right hand

TPL-036-R-KS-US15 Lock cylinder Euro double C4 3/5 pin 55mm (23-32) right hand, satin nickle

TPL-036-R-KS-MB Lock cylinder Euro double C4 3/5 pin 55mm (23-32) right hand, matt black

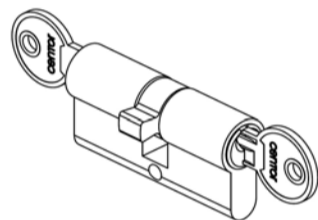
TPL-036-R-KS-TG Lock cylinder Euro double C4 3/5 pin 55mm (23-32) right hand, PVD brass

**Outward or inward opening - 5/5 pin 62mm**

*Contents*

1 x cylinder, 3 x 5-pin key, 1 x 20mm long cylinder screw

Keyed different - left hand



TPL-021-L-KD-US15 Lock cylinder Euro double C4 5 pin 62mm (30-32) left hand, satin nickle

TPL-021-L-KD-MB Lock cylinder Euro double C4 5 pin 62mm (30-32) left hand, matt black

TPL-021-L-KD-TG Lock cylinder Euro double C4 5 pin 62mm (30-32) left hand, PVD brass

Keyed different - right hand

TPL-021-R-KD-US15 Lock cylinder Euro double C4 5 pin 62mm (30-32) right hand, satin nickle

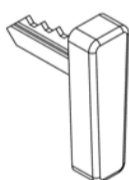
TPL-021-R-KD-MB Lock cylinder Euro double C4 5 pin 62mm (30-32) right hand, matt black

TPL-021-R-KD-TG Lock cylinder Euro double C4 5 pin 62mm (30-32) right hand, PVD brass

**Spare thumb turn**

*Contents*

1 x 3-pin thumb turn



**3 pin removable thumb turn**

TPL-037-KA-US15 Thumb turn 3 pin, satin nickle

TPL-037-KA-MB Thumb turn 3 pin, matt black

TPL-037-KA-TG Thumb turn 3 pin, PVD brass

Part	Item number	Item name
<b>Transmission rod sets</b>		

*Contents*  
 1 x lock body cover, 2 x top & bottom covers same length,  
 2 x transmission rod with bolt attached (one short, one long),  
 4 x pop rivets, 1 x drill jig, 1 x screw pack

**Straight bolt**

With hinge holes for folding panels



TPL-029-24-XS	Straight transmission rod set wood panels, quadrex, 2440mm, brushed metallic
TPL-029-24-Y	Straight transmission rod set wood panels, quadrex, 2440mm, black anodised
TPL-029-30-XS	Straight transmission rod set wood panels, quadrex, 3050mm, brushed metallic
TPL-029-30-Y	Straight transmission rod set wood panels, quadrex, 3050mm, black anodised
TPL-029-40-XS	Straight transmission rod set wood panels, quadrex, 4000mm, brushed metallic
TPL-029-40-Y	Straight transmission rod set wood panels, quadrex, 4000mm, black anodised

Without hinge holes for access panel

TPL-043-24-XS	Straight transmission rod set wood panels, quadrex, 2440mm, brushed metallic
TPL-043-24-Y	Straight transmission rod set wood panels, quadrex, 2440mm, black anodised
TPL-043-30-XS	Straight transmission rod set wood panels, quadrex, 3050mm, brushed metallic
TPL-043-30-Y	Straight transmission rod set wood panels, quadrex, 3050mm, black anodised
TPL-043-40-XS	Straight transmission rod set wood panels, quadrex, 4000mm, brushed metallic
TPL-043-40-Y	Straight transmission rod set wood panels, quadrex, 4000mm, black anodised

**Offset bolt**

With hinge holes for folding panels



TPL-026-24-XS	Offset transmission rod set wood panels, quadrex, 2440mm, brushed metallic
TPL-026-24-Y	Offset transmission rod set wood panels, quadrex, 2440mm, black anodised
TPL-026-30-XS	Offset transmission rod set wood panels, quadrex, 3050mm, brushed metallic
TPL-026-30-Y	Offset transmission rod set wood panels, quadrex, 3050mm, black anodised
TPL-026-40-XS	Offset transmission rod set wood panels, quadrex, 4000mm, brushed metallic
TPL-026-40-Y	Offset transmission rod set wood panels, quadrex, 4000mm, black anodised

Without hinge holes for access panel

TPL-042-24-XS	Offset transmission rod set wood panels, quadrex, 2440mm, brushed metallic
TPL-042-24-Y	Offset transmission rod set wood panels, quadrex, 2440mm, black anodised
TPL-042-30-XS	Offset transmission rod set wood panels, quadrex, 3050mm, brushed metallic
TPL-042-30-Y	Offset transmission rod set wood panels, quadrex, 3050mm, black anodised
TPL-042-40-XS	Offset transmission rod set wood panels, quadrex, 4000mm, brushed metallic
TPL-042-40-Y	Offset transmission rod set wood panels, quadrex, 4000mm, black anodised

Part	Item number	Item name
------	-------------	-----------

**Transmission rod adaptors**

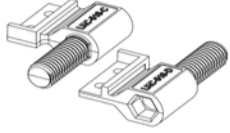
*Contents*  
 1 or 20 pair(s) of rod adaptors

26mm backset

- TPL-015-CD-01      Transmission rod adaptors LKC-518-C & LKC-518-D (bag of 1)
- TPL-015-CD-20      Transmission rod adaptors LKC-518-C & LKC-518-D (bag of 20)

40mm backset

- TPL-015-EF-01      Transmission rod adaptors LKC-518-E & LKC-518-F (bag of 1)
- TPL-015-EF-20      Transmission rod adaptors LKC-518-E & LKC-518-F (bag of 20)



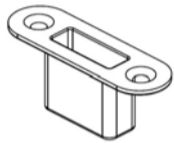
**Bolt cups**

Bag of 1 with screws  
*Contents*  
 1 x bolt cup, 2 x mounting screws

- TPL-017-S-01      8mm bolt cup kit, stainless steel (bag of 1)
- TPL-017-OL-01      8mm bolt cup kit, PVD black (bag of 1)
- TPL-017-TG      8mm bolt cup kit, PVD brass (bag of 1)

Bag of 20 with screws  
*Contents*  
 20 x bolt cups, 40 x mounting screws

- TPL-017-S-20      8mm bolt cup kit, stainless steel (bag of 20)
- TPL-017-OL-20      8mm bolt cup kit, PVD black (bag of 20)
- TPL-017-TG      8mm bolt cup kit, PVD brass (bag of 20)



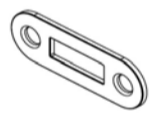
**Strike plates**

Bag of 1 with screws  
*Contents*  
 1 x strike plate, 2 x mounting screws

- TPL-018-S-01      8mm strike plate kit, stainless steel (bag of 1)
- TPL-018-OL-01      8mm strike plate kit, PVD black (bag of 1)
- TPL-018-TG      8mm strike plate kit, PVD brass (bag of 1)

Bag of 20 with screws  
*Contents*  
 20 x strike plates, 40 x mounting screws

- TPL-018-S-20      8mm strike plate kit, stainless steel (bag of 20)
- TPL-018-OL-20      8mm strike plate kit, PVD black (bag of 20)
- TPL-018-TG      8mm strike plate kit, PVD brass (bag of 20)



**Centor Australia**

1300 236 867

+61 7 3868 5777

mail@centor.com

centor.com