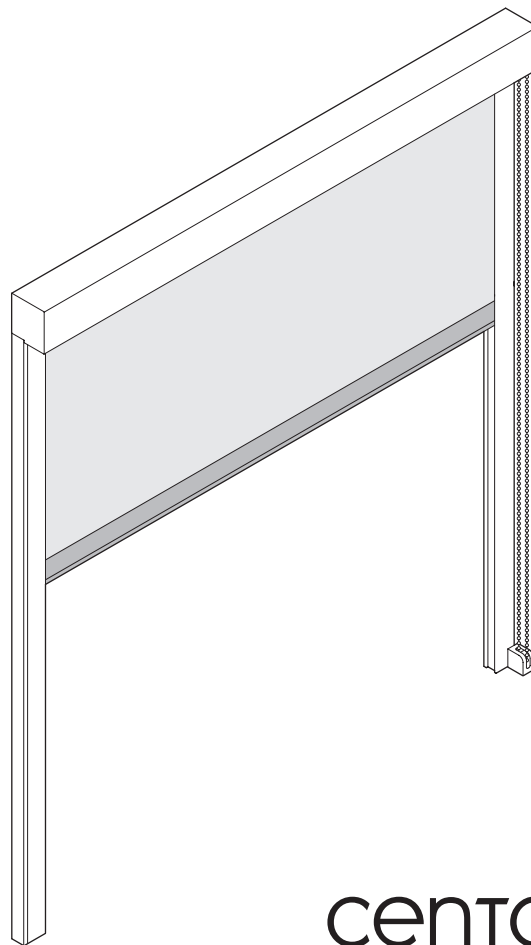


S6

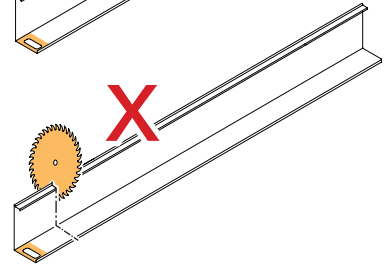
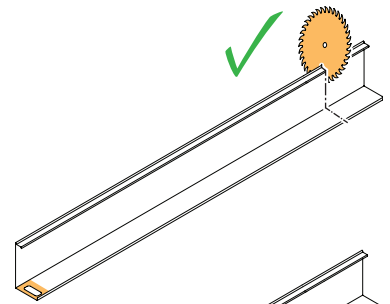
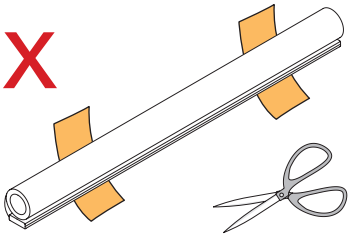
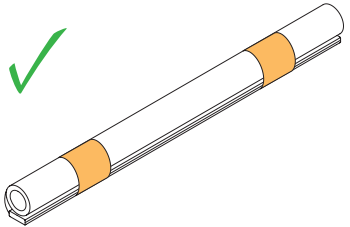
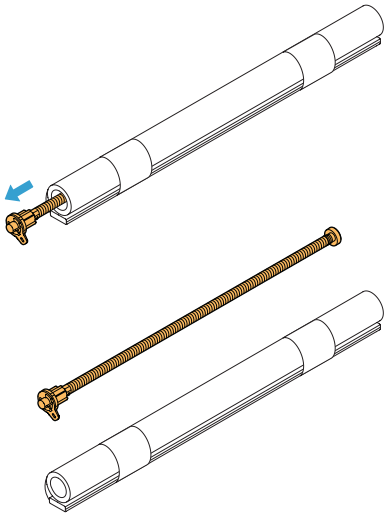
Screening System

Installation Instructions

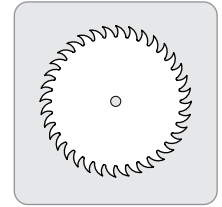


centor®

Important – before cutting



1.0 Cut parts to length



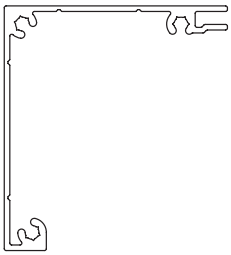
x1

x1

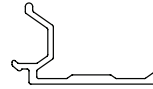
x2

x2

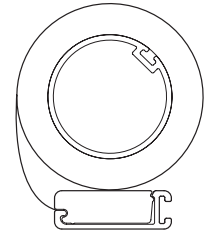
x1



Jamb guide face & side mount,
single seal only:



Jamb guide side mount
(only), double seal:



Head =

Frame width minus 5mm
3/16"

Head cover =

Frame width minus 5mm
3/16"

Jamb guides and covers =

Frame height minus 67mm
2-5/8"

Jamb guides =

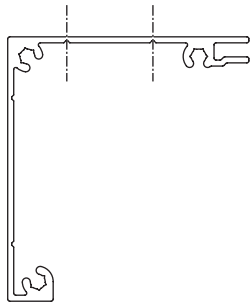
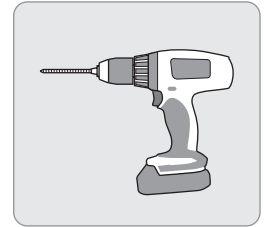
Frame height minus 67mm
2-5/8"

Screen roll =

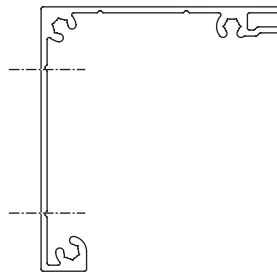
Frame width minus 42mm
1-5/8"

2.0 Pre-drill holes

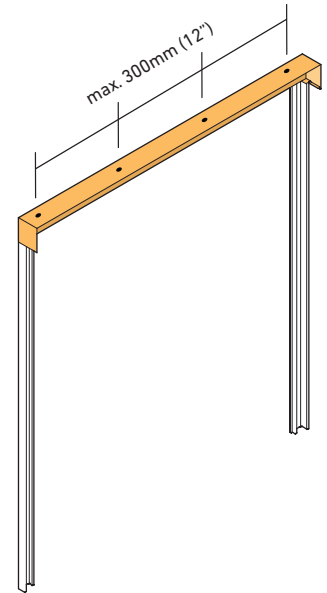
Head mounting



Top



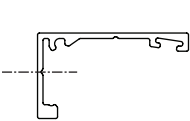
Face



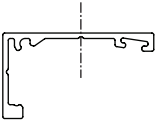
Jamb guide mounting



Face & side mount
- single seal only

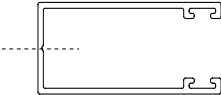


Side

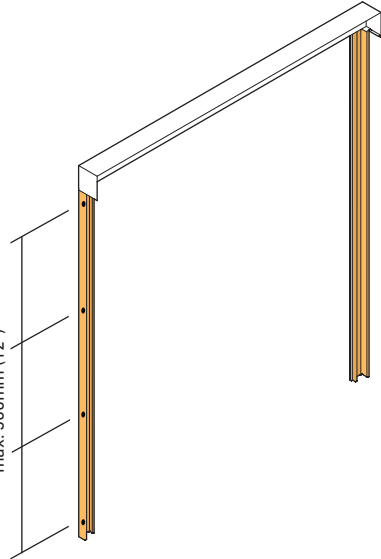


Face

Side mount (only)
- double seals



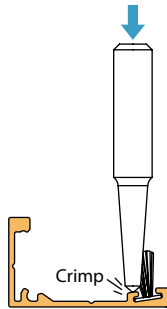
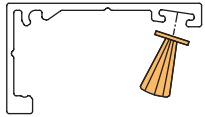
Side



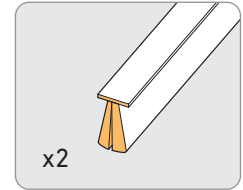
3.0 Assemble parts

Jamb guide

Face & side mount
- single seal only

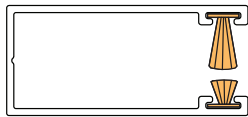


head end only

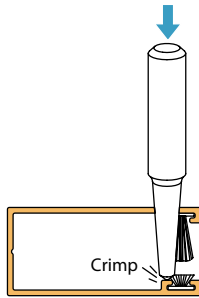


Side mount (only)
- double seals

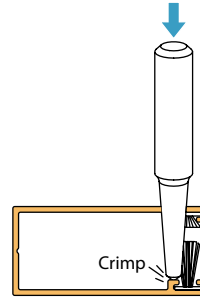
outside



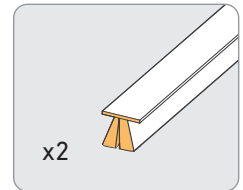
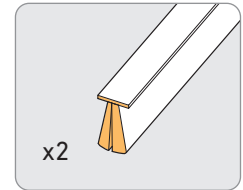
inside



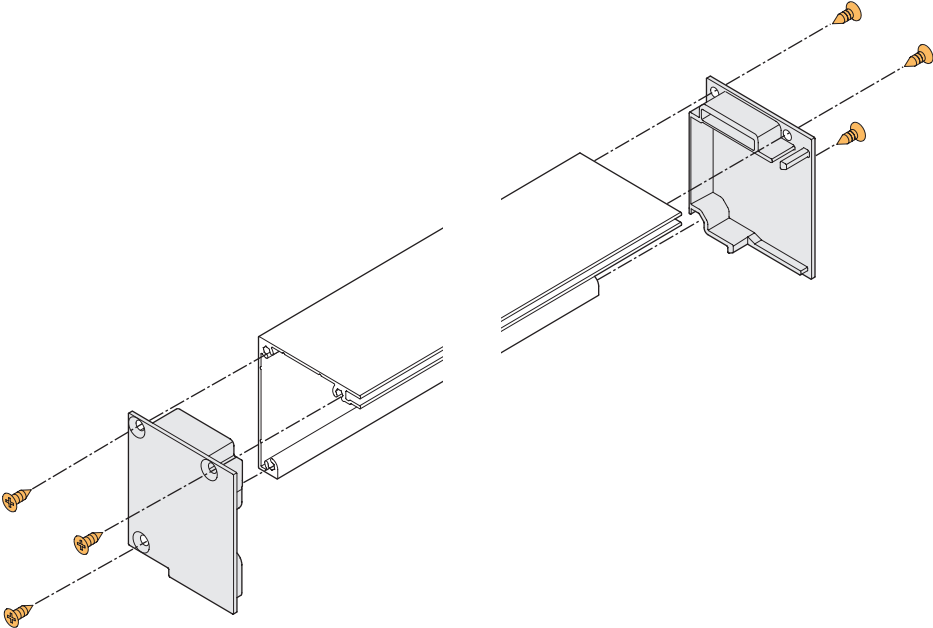
head end only



head end only



Head



+

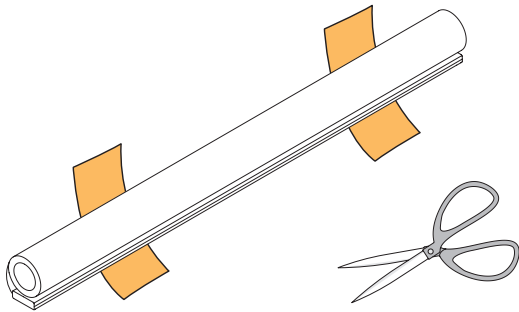
1:1

x6

x1

x1

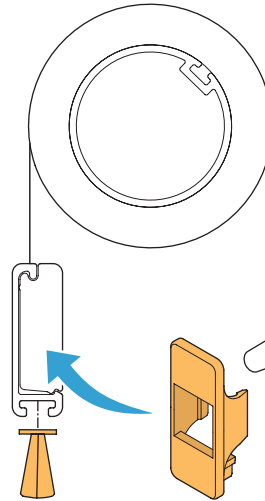
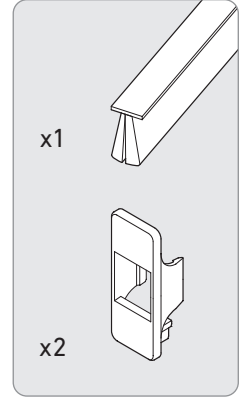
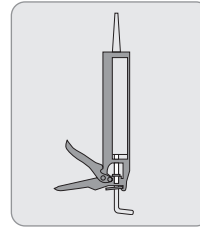
Rail



x1

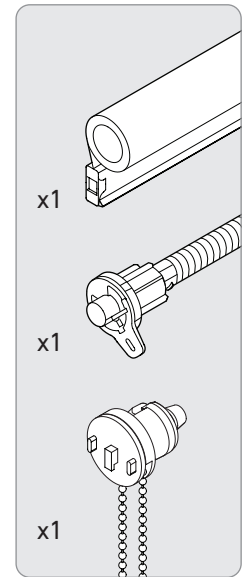
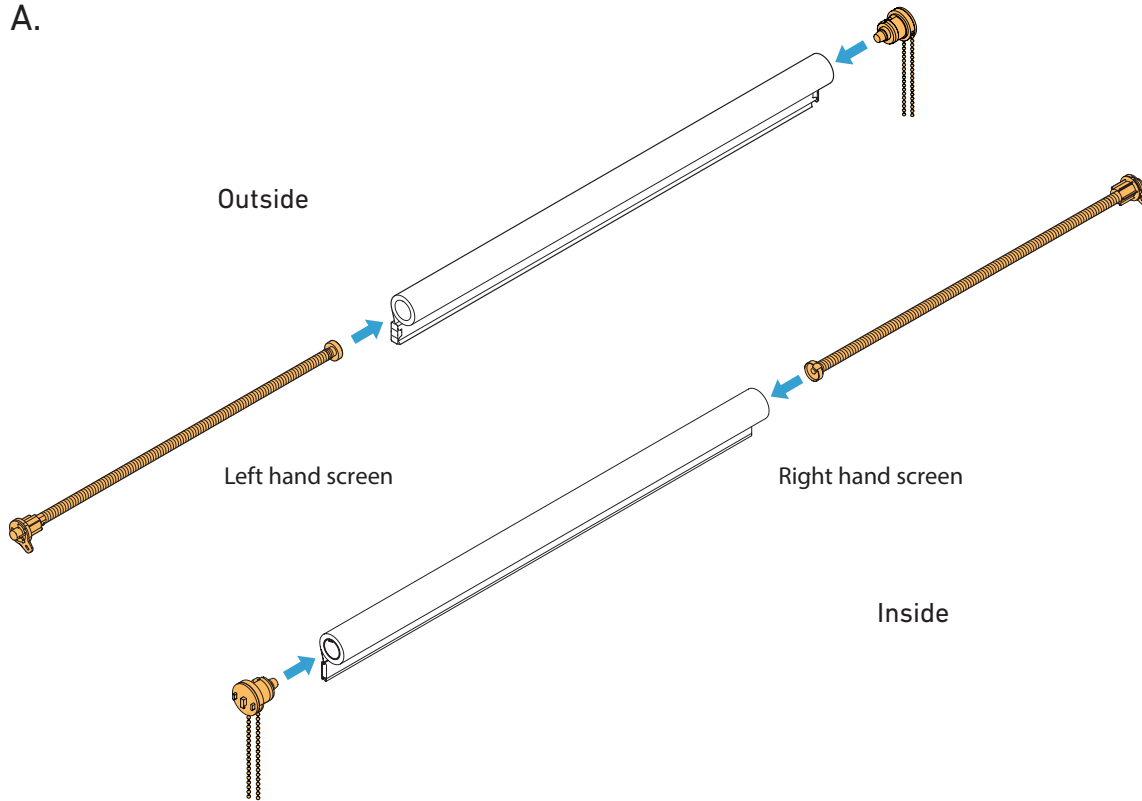


Rail seal =
Screen roll minus 15mm
9/16"



4.0 Prepare screen roll

A.

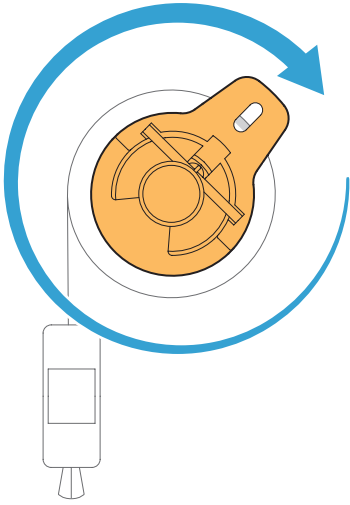


B.

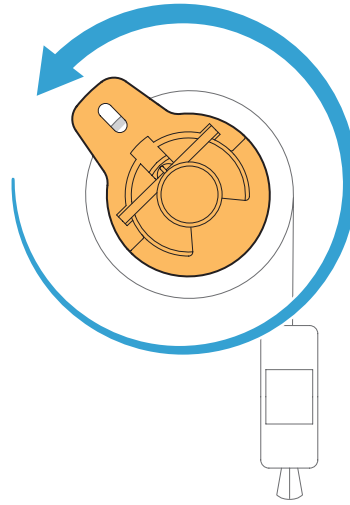
Screen/Shade		
Width (mm)	Width (inches)	No. turns
900	35-3/8	3
1200	47-3/16	9
1500	59	12
1800	70-3/16	20
2400*	94-7/16	30

Due to the variations in material thickness (weight) it may be necessary to vary the number of turns to correctly balance the blind

* Note: Blockout not available in 2400 (94-7/16") width

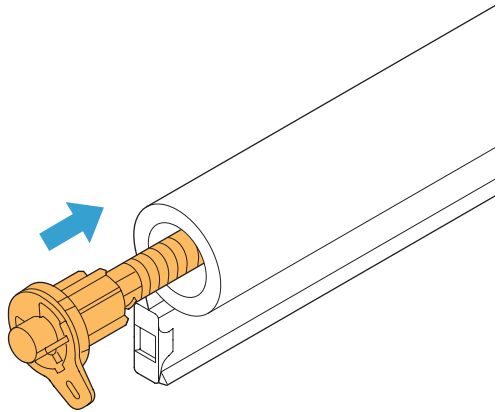


Left hand screen

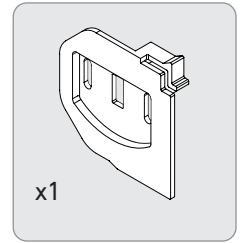
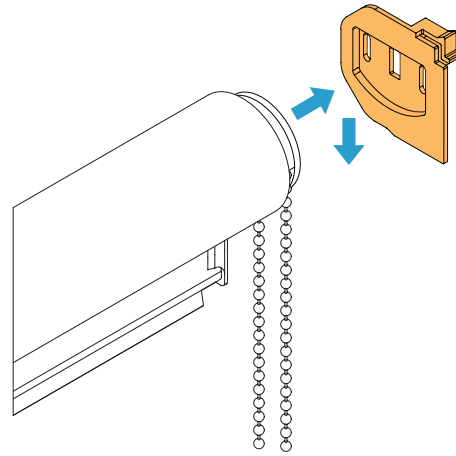


Right hand screen

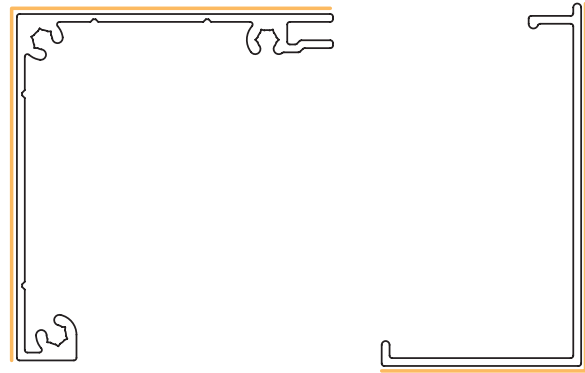
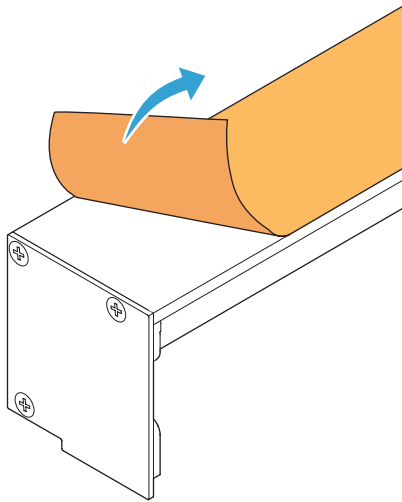
C.



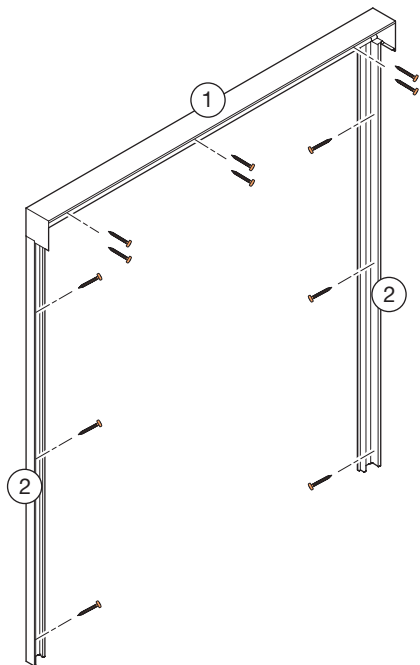
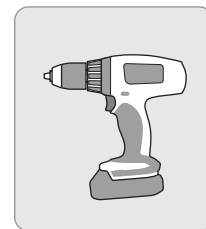
D.



5.0 Remove protective film

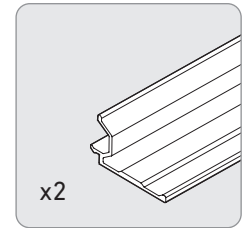
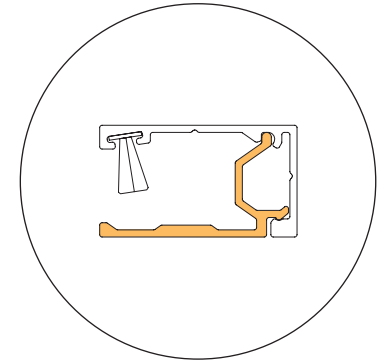
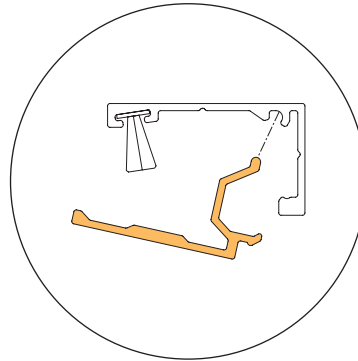
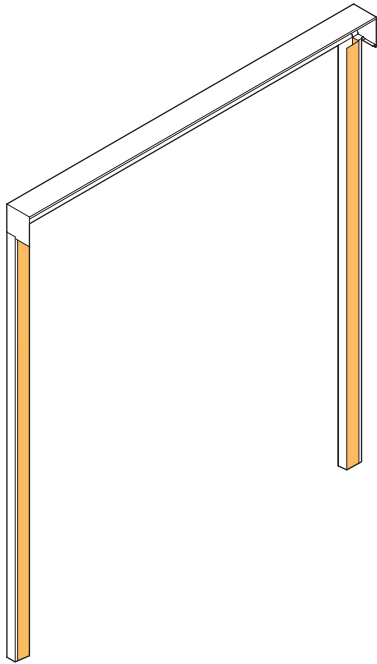


6.0 Fix into window frame



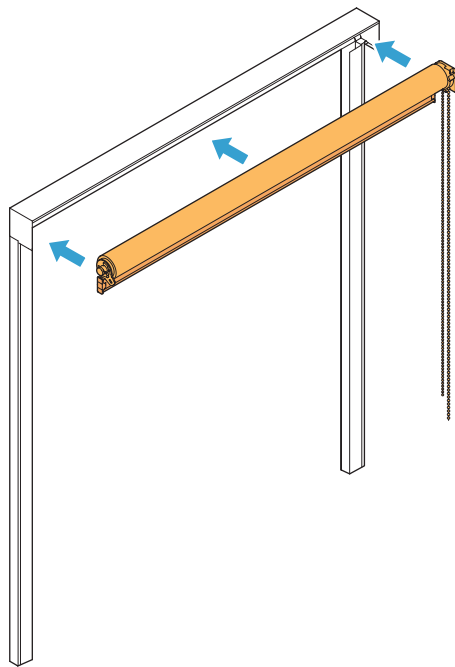
6.1 Install jamb guide covers

Face & side mount only

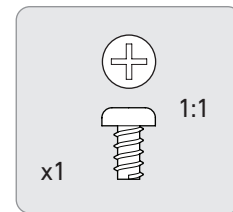
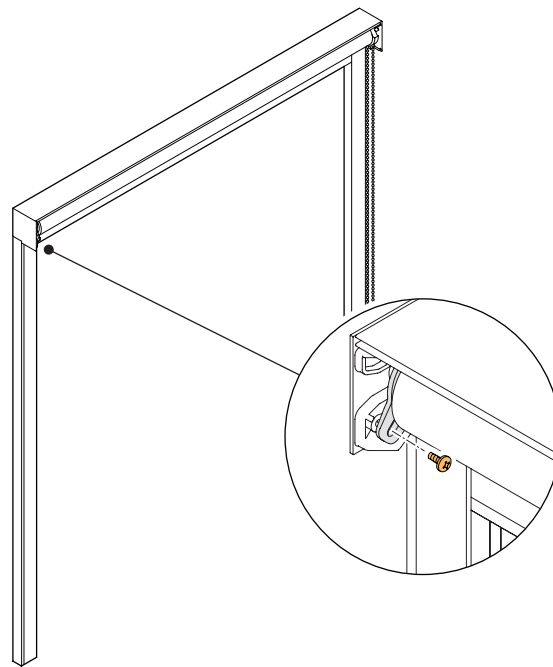


7.0 Install screen

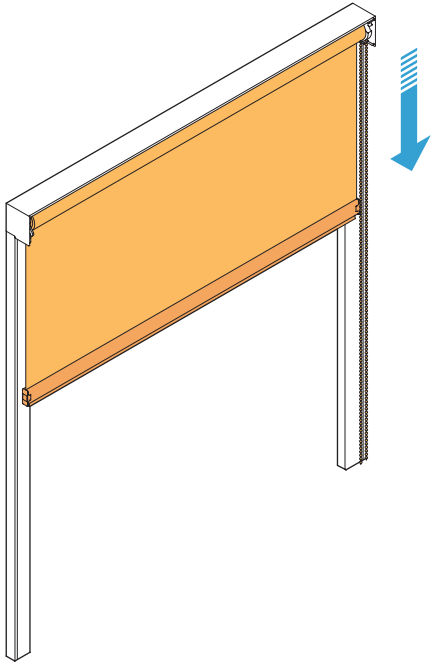
A.



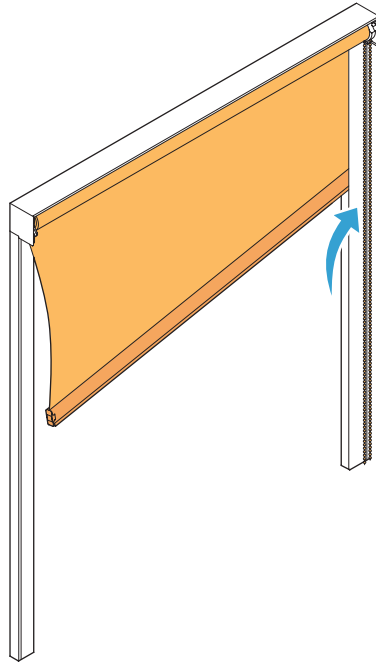
B.



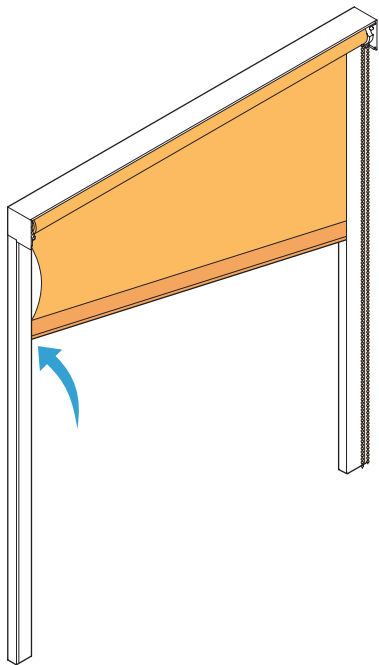
C.



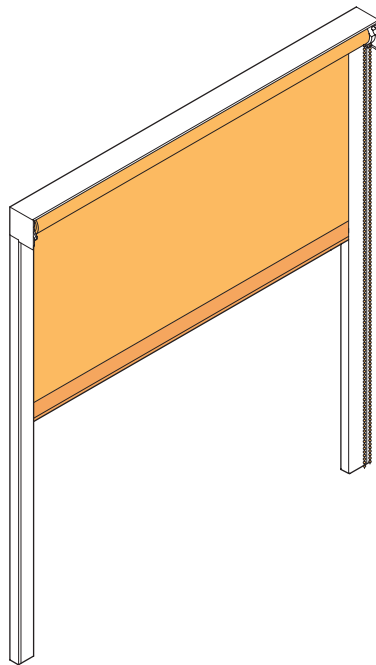
D.



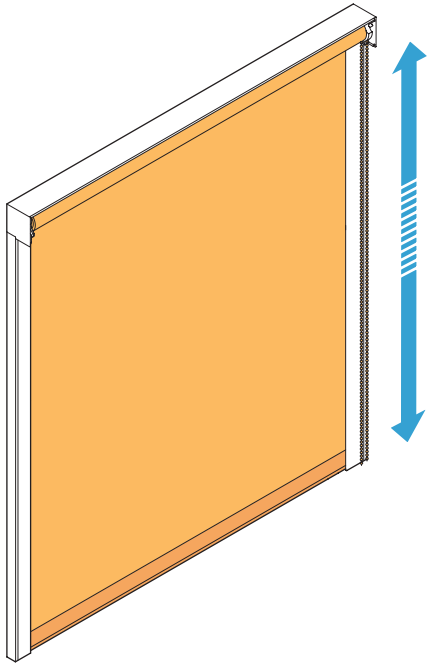
E.



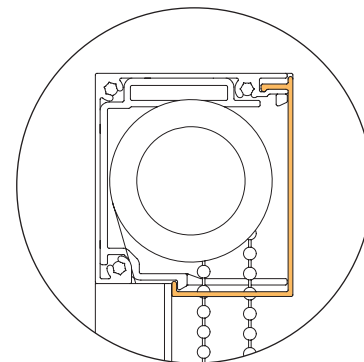
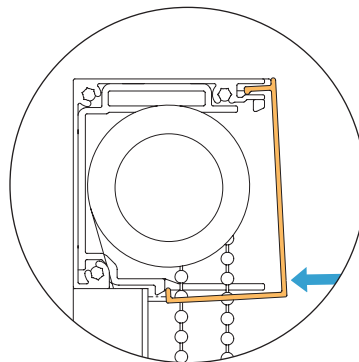
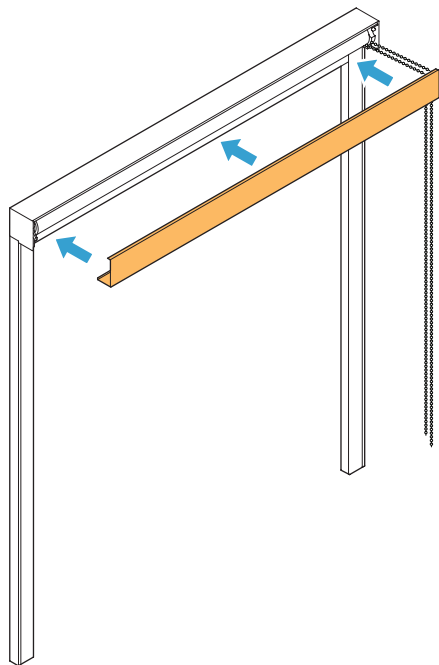
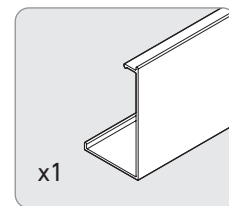
F.



8.0 Test operation

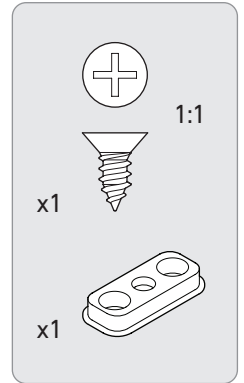
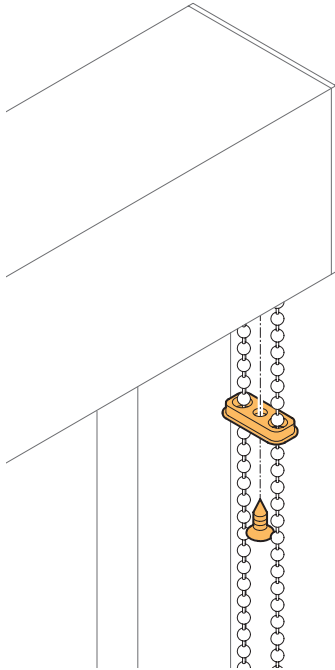


9.0 Fit head cover

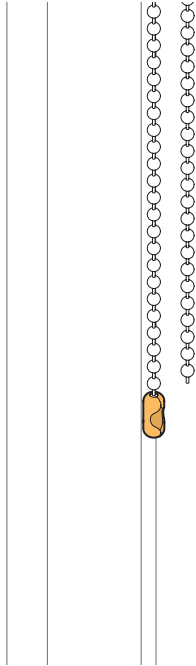


10.0 Assemble ball chain

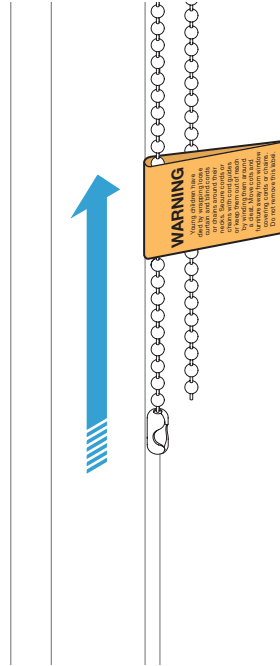
A.



B.



C.



x1

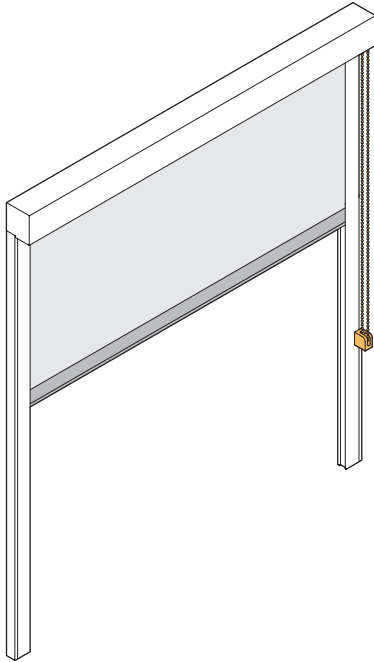


WARNING
Young children have died by wrapping loose curtain and blind cords or chains around their necks. Secure cords or chains with cord guides or keep them out of reach by winding them around a cleat. Move cribs and furniture away from window covering cords or chains. Do not remove this label.

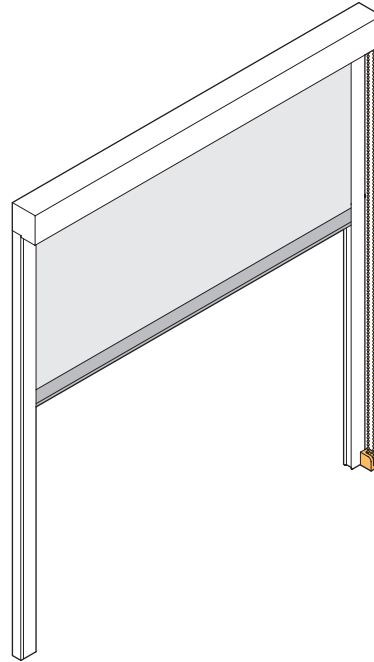
x1

11.0 Determine ball guide mounting position

Guide mounted – page 23

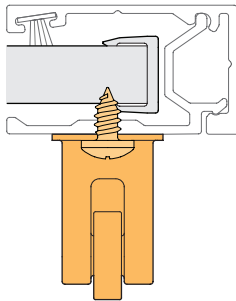
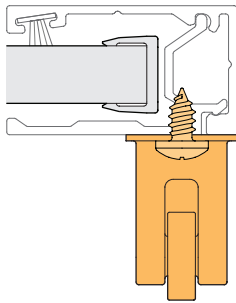


Sill mounted – page 26

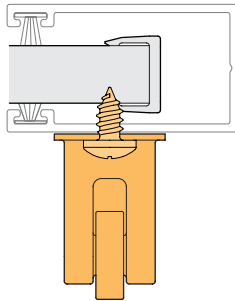
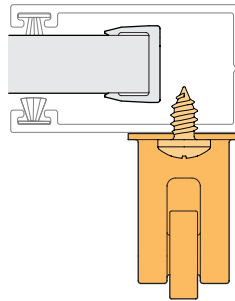


11.1 Guide mounted

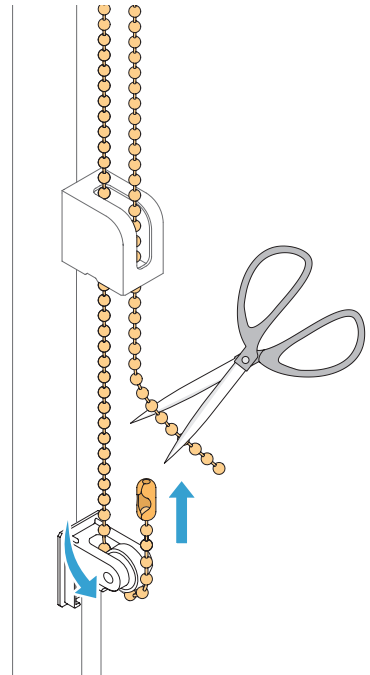
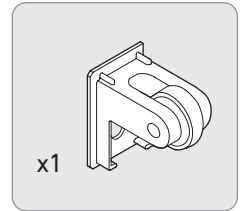
Jamb guide face & side mount
- single seal only



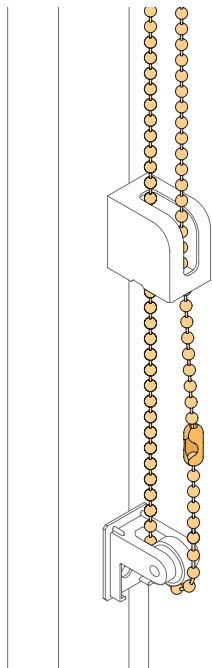
Jamb guide side mount (only)
- double seal



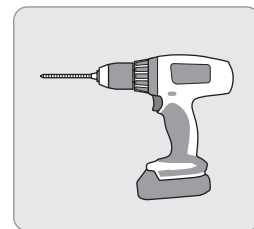
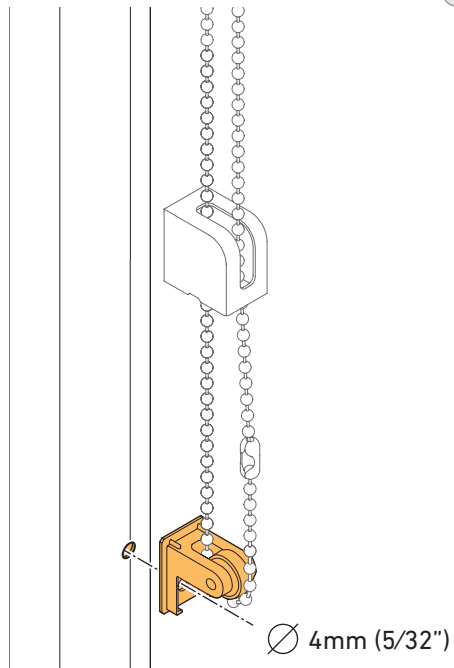
A.



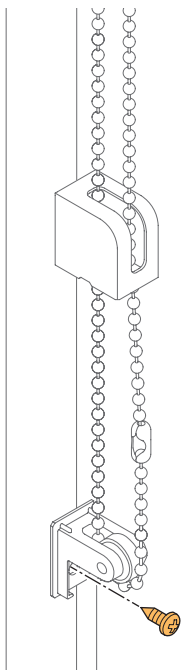
B.



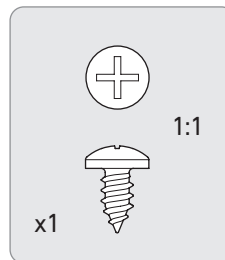
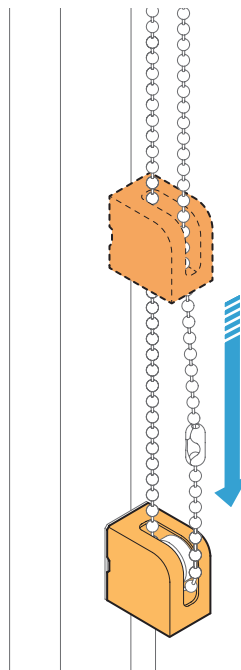
C.



D.

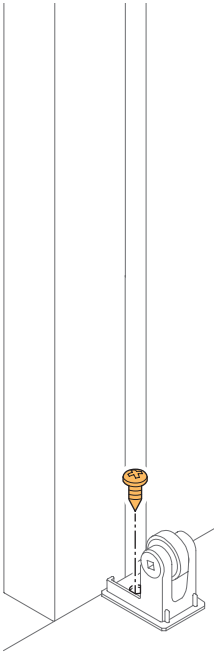


E.

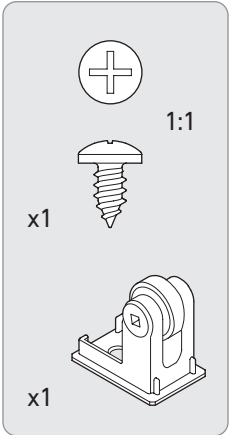
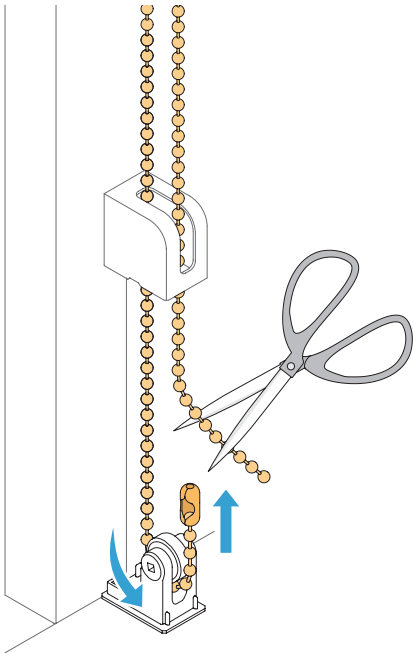


11.2 Sill mounted

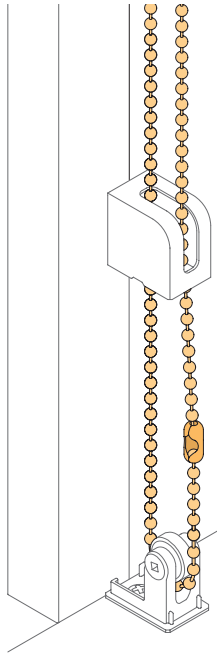
A.



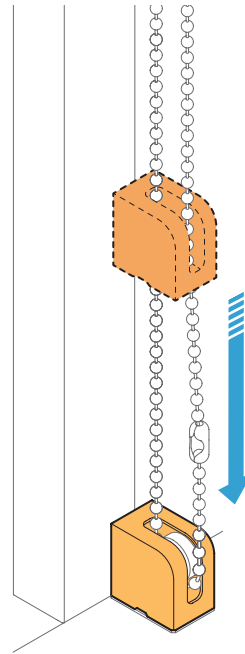
B.



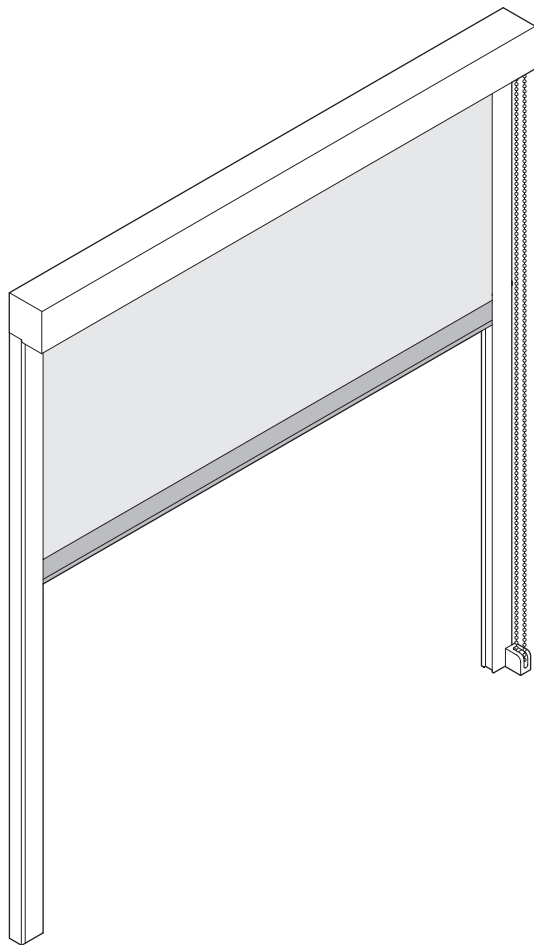
C.



D.



12.0



centor.com

centor®

INS-025 (D)