

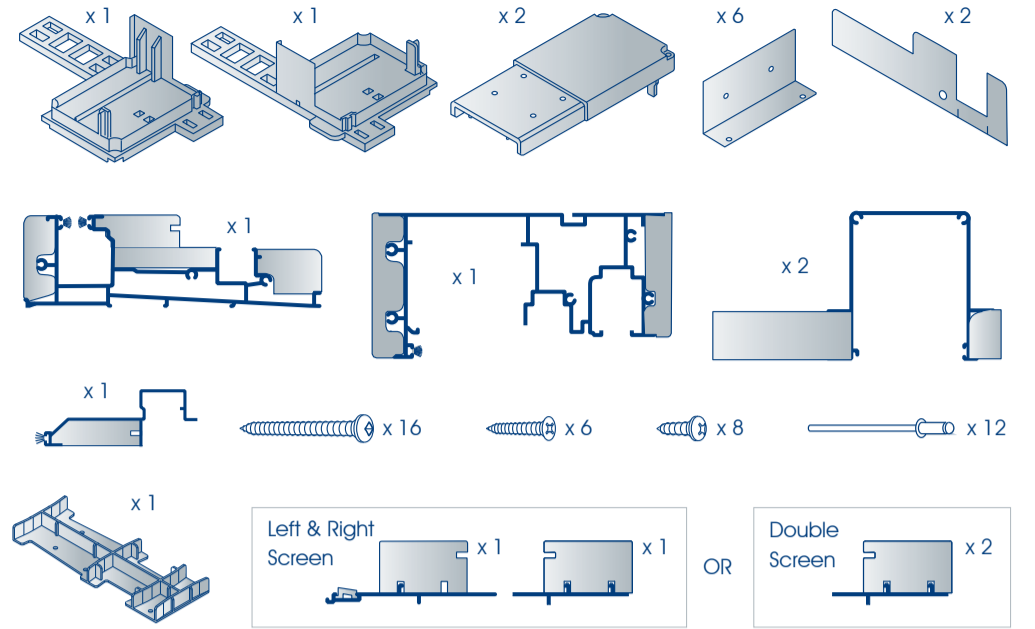
centor ARCHITECTURAL

ES2 Door Screen

1300 centor
 mail@centor.com.au
 www.centor.com.au



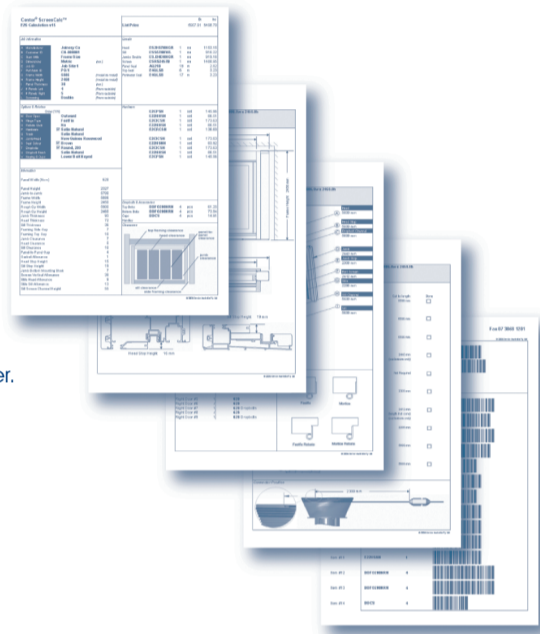
KIT INVENTORY



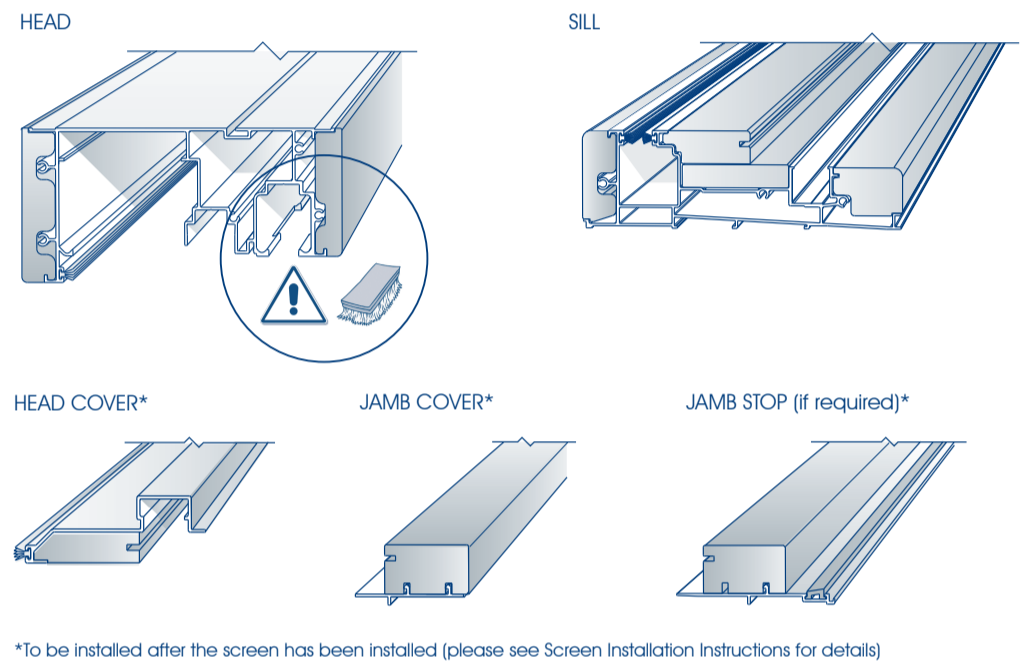
1. WORK OUT CUTTING LENGTHS

Centor ScreenCalc™ Excel spreadsheet

Work out cutting lengths based on your frame size using Centor's ScreenCalc™. This free of charge software can be downloaded from Centor's website at www.centor.com.au. ScreenCalc™ will operate on any system running Microsoft Excel 97 or later.

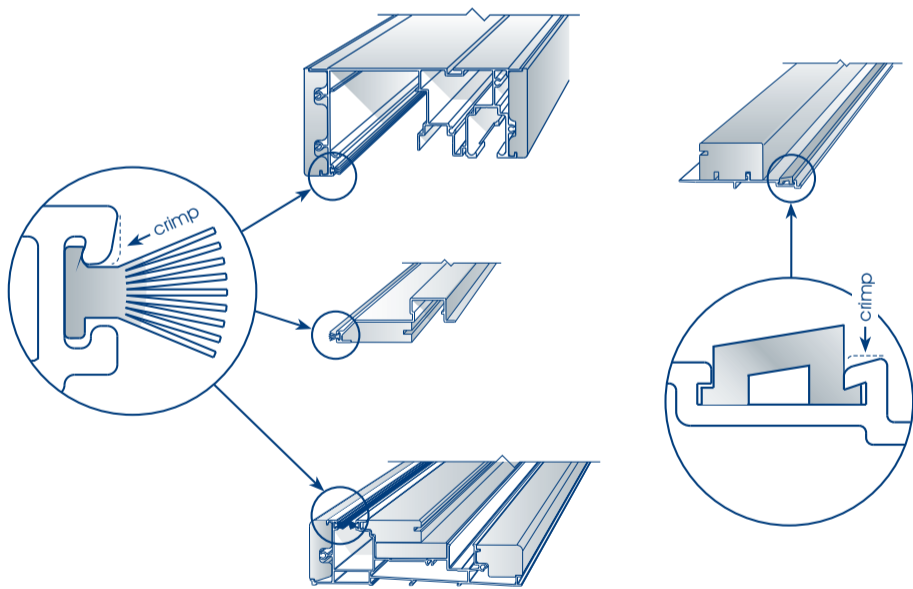


2. CUT TO LENGTH



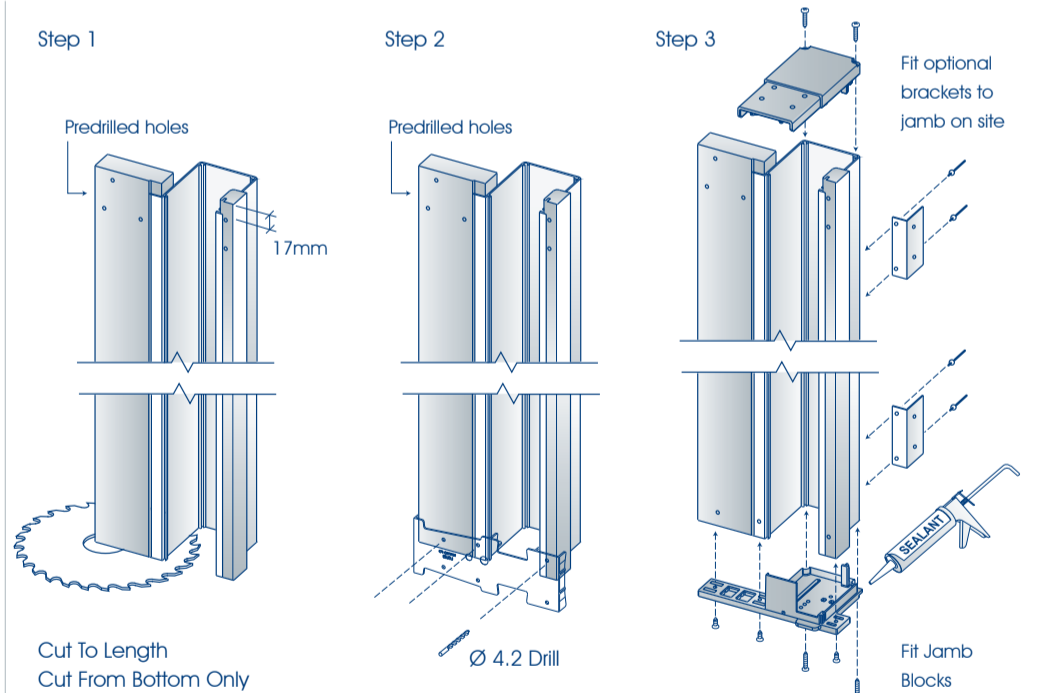
*To be installed after the screen has been installed (please see Screen Installation Instructions for details)

3. CRIMP BRISTLE & MAGNET

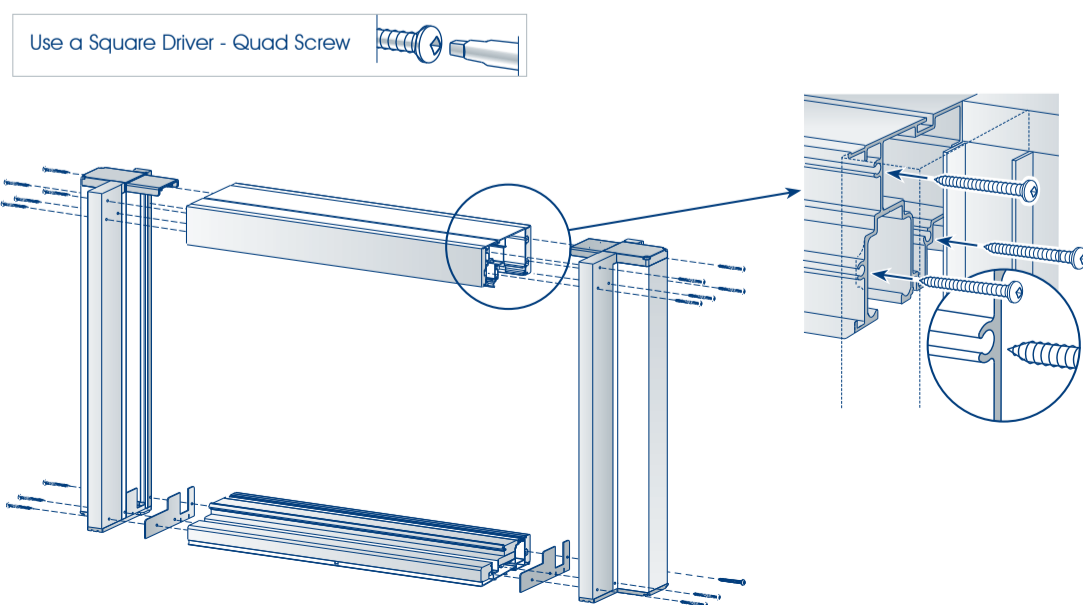


NOTE Crimp all Bristle and Magnet flush with both ends to prevent movement

4. PREPARE INTEGRATED JAMB X 2



5. SCREW FRAME TOGETHER



6. BRACE THE FRAME FOR TRANSPORTATION

