

centor®



EW bifold window system for panels to 20kg

centor®



EW brings the functionality and style of bifold technology to smaller-scale external openings. An exciting alternative to conventional window styles in the widest variety of applications.

Centor EW is an external bifolding window hardware system for windows with a maximum sash weight up to 20 kilograms.

EW is suitable for a range of smaller residential and commercial openings including counters and serveries, as an alternative to conventional windows in bedrooms or living areas, or anywhere the larger panel capacity of one of Centor's bifold door systems is not required.

EW comes complete with aluminium and timber lineal kits and can be fully factory assembled prior to installation. The system offers a vertically retractable insect screen, bringing functionality and style to bifold windows.

EW Specifications	
max opening	1500 x 2500mm
max panel weight	20kg
max panel height	1500mm
max panel width	610mm
panel thickness	32-38mm
max number of panels	4



# functionality and style for smaller scale openings



## **Weatherproof**

Impressive water performance ratings are achievable from outward opening windows with the system achieving its superior rain and wind resistance in part from the way window panel to close snugly against weather seals. Resistance to air infiltration up to fifty times better than a sliding window, and impressive acoustic sealing qualities are additional benefits.

## **Screening**

The EW flyscreen system is fully integrated into the window system and can be fully retracted for unobscured vistas. The chain-operated system can be operated with one hand and provides for easy access over benches or furniture.

## **Proved Performance**

Produced in the architectural grade grade stainless steel, solid brass, aluminium and engineering grade plastics, individual EW components have undergone extensive laboratory testing including cyclic testing to 50,000 cycles as well as corrosion testing, structural testing and finite element analysis. Stainless steel bearings are custom machined individually precision ground to ultra-fine clearances. Unparalleled performance is the result from this top-hung design, with smoothness of function that has to be felt to be believed.

## **Easy Assembly, Installation & Adjustment**

EW has been designed to be fully assembled and fitted in the fabricator's factory allowing simple site installation of the finished unit. Whether assembled in the factory or on site, installation couldn't be easier with complete kits for four popular configurations, comprehensive instructions and drill jigs available for the surface-mounted fittings.

Patented Surelock™ adjustment mechanisms allow vertical and lateral adjustments to be made with a screwdriver, while care has been taken to ensure adjustment is possible from inside the building in elevated applications.

integrated with a  
chain-operated  
screening system



#### Finishes

- Carriers, guides, pivots and hinge sets – architectural grade brushed stainless steel, PVD brass, white & custom powdercoat.
- Aluminium lineal kits include head tracks and floor guide channels natural & gold anodised, custom powdercoat.
- Timber lineal kits are available in New Guinea Rosewood, Western Red Cedar and Surian Cedar.

#### Dropbolts

Easily installed in timber panels with dedicated router bits, Centor's DM and DS low profile dropbolts avoid the untidy look of bolted on fasteners and come in a range of colours.

#### Warranty

Centor Architectural offers a 10 year warranty on its EW hardware. Please see [www.centor.com.au](http://www.centor.com.au) for more details.

#### Specifying EW

Windowcalc, Centor's free specification and ordering software, simplifies component selection and assists with calculating size and number of window sashes. Windowcalc is downloadable from [www.centor.com.au](http://www.centor.com.au). Alternatively architects and designers can simply specify "Centor EW" and leave detailed component selection to the builder, joiner or fabricator.



## Architectural Detail

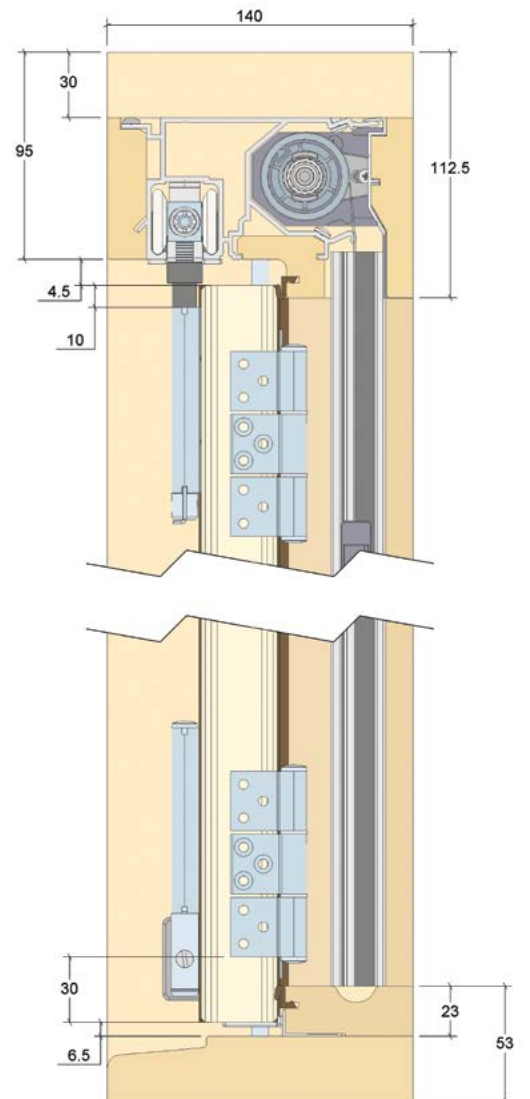
Downloadable DXF or DWG files ready for use in your own documentation are a convenient resource for architects and specifiers wishing to use Centor systems.

EW DXF or DWG files can be downloaded from [www.centor.com.au](http://www.centor.com.au)



PATENTS APPLY

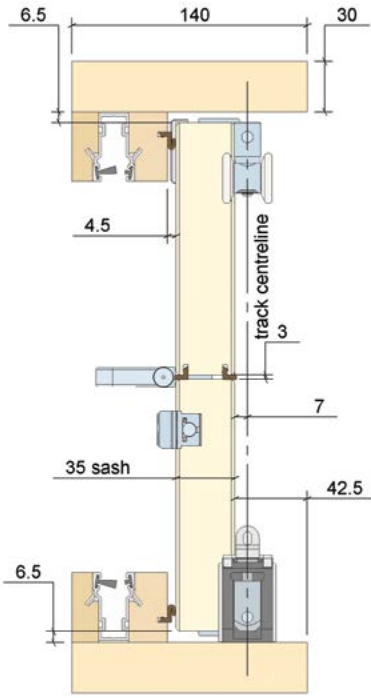
EW PROFILE



EW-005.DXF

# Architectural Detail

EW2

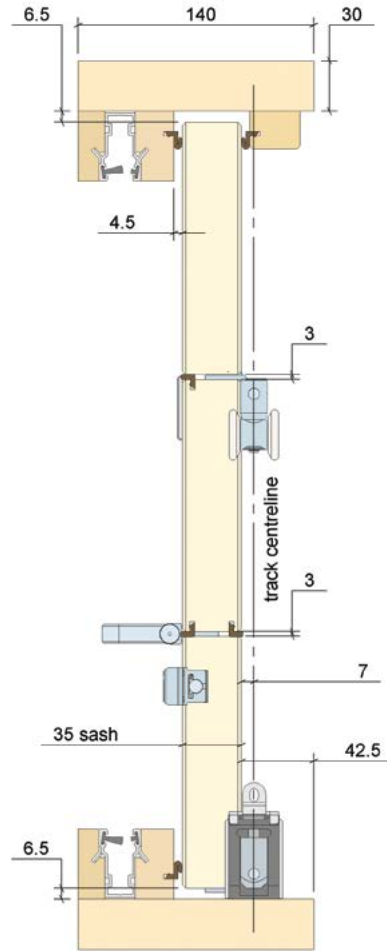


EW-004.DXF



2 sashes opening left (2L – shown above) uses EW2 hardware set  
 2 sashes opening right (2R) uses EW2 hardware set

EW3



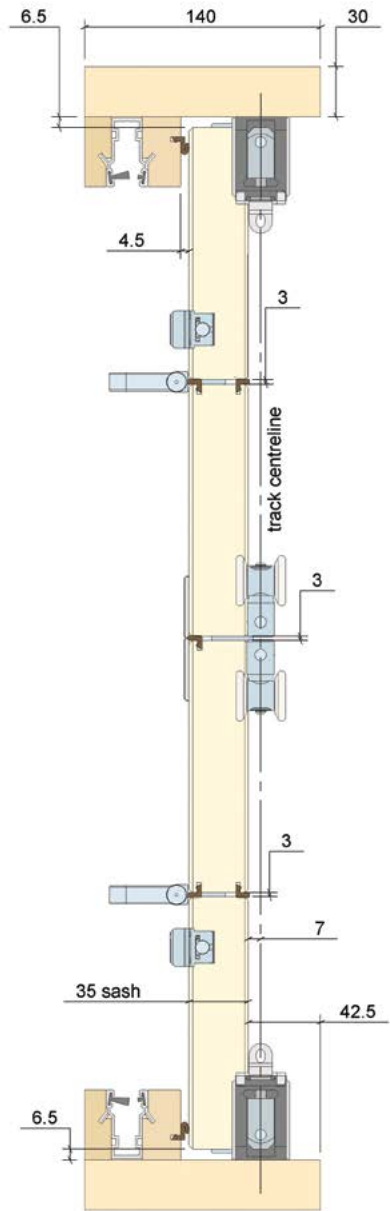
EW-003.DXF



3 sashes opening left (3L – shown above) uses EW3 hardware set  
 3 sashes opening right (3R) uses EW3 hardware set

# Architectural Detail

EW2L2R

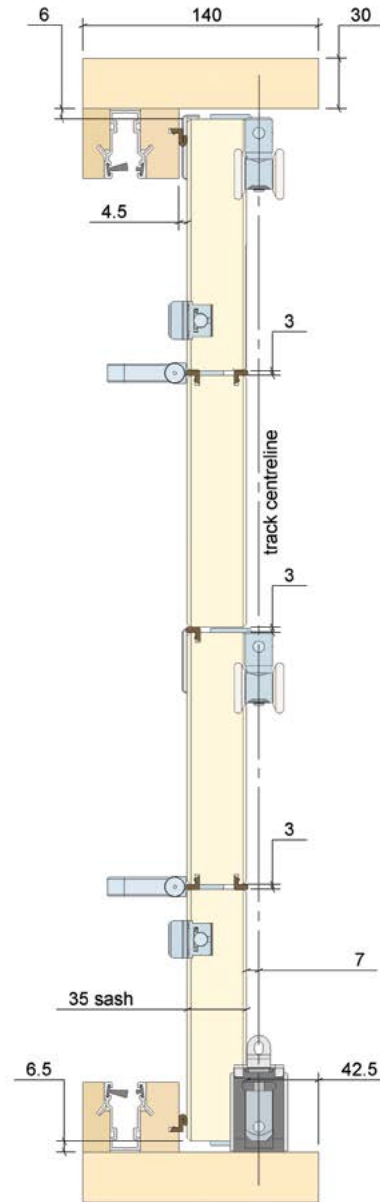


EW-001.DXF



2 sashes opening left and 2 sashes opening right (2L2R)  
uses EW2L2R hardware set

EW4



EW-002.DXF

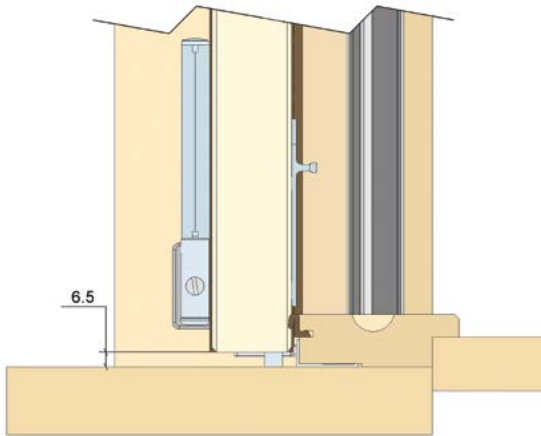


4 sashes opening left (4L – shown above) uses EW4 hardware set  
4 sashes opening right (4R) uses EW4 hardware set

## Architectural Detail

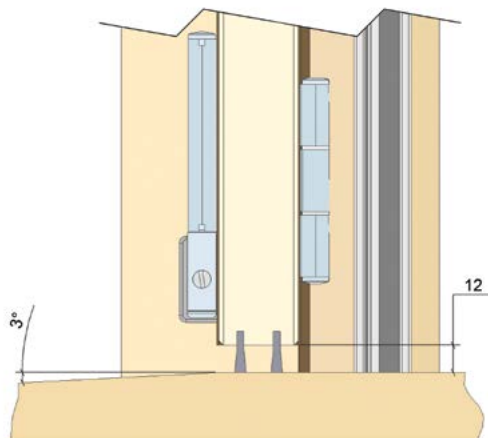
### Alternative Servery Sill Detail

#### Step servery



EW-006.DXF

### 3° Fall Outside Servery (4l, 4r)



EW-007.DXF

#### Servery Applications

A kitchen opening out onto a deck is the perfect place to install an EW over a flat benchtop (ie with no sill stop and no friction guide). There are a few considerations to take into account to ensure you are delighted with the outcome.

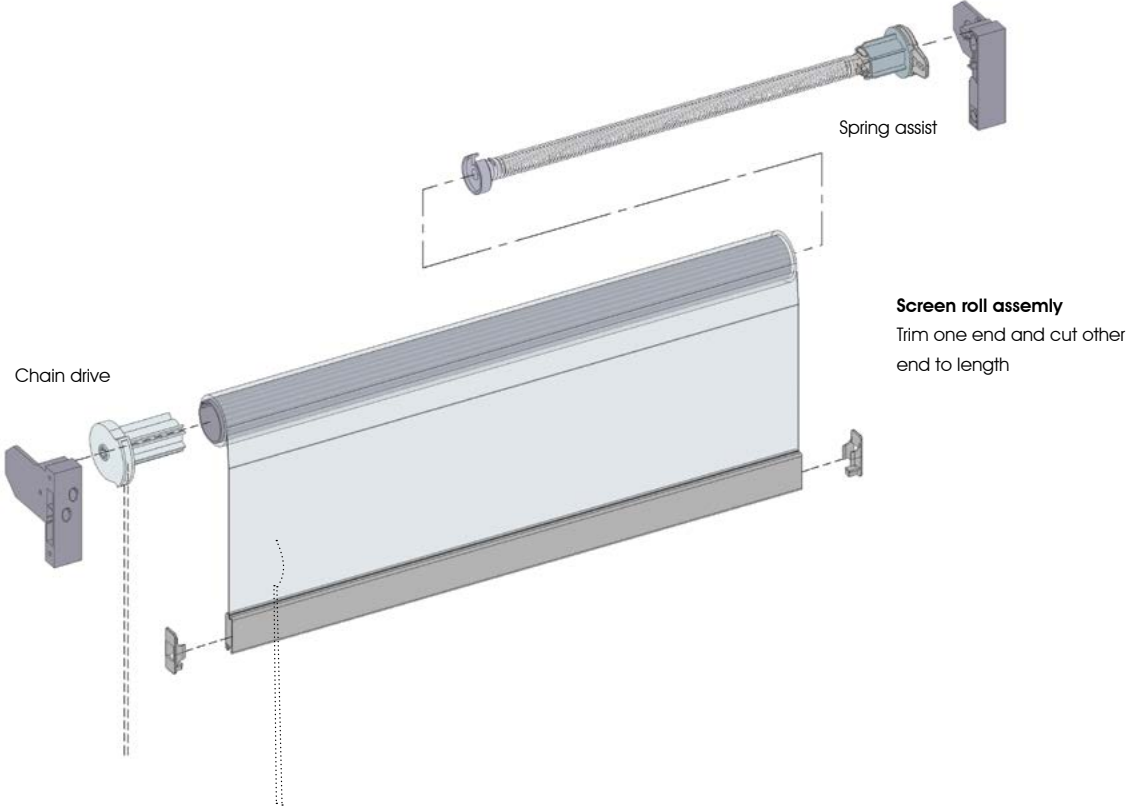
- 1 The best window combinations to use on a flat servery bench application are pairs of sashes – that is 2L or 2R, or a 2L2R (all with 12mm clearance).
- 2 With a 2L2R combination, Centor Architectural recommends the use of 2 additional DM dropbolts at the bottom of the 2 meeting stiles.
- 3 With a 4L or 4R combination you will need to make an allowance for the sashes dropping when being opened. This is a popular solution in some house designs, and to make it work well, the benchtop will need to have 12mm clearance and a 3° fall on the benchtop outside of the window line. This will ensure that there is adequate clearance between the sash and the benchtop.
- 4 We do not recommend the use of a 3L or 3R combination without a friction guide.

It is not feasible to make this style of window weatherproof, and therefore water proofing needs to be assured by other means – such as a wide verandah (also perfect over the deck).

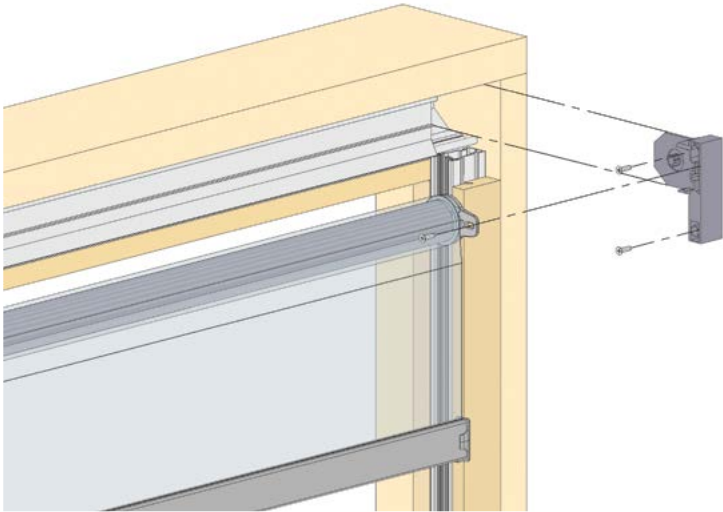


# Architectural Detail

## Screen Kit Contents

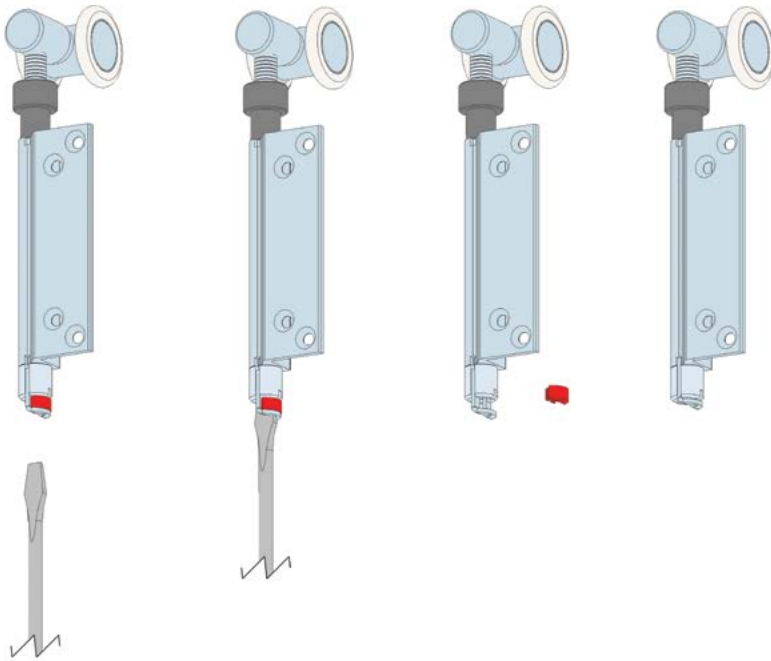


## Lock Off Spring Assist.



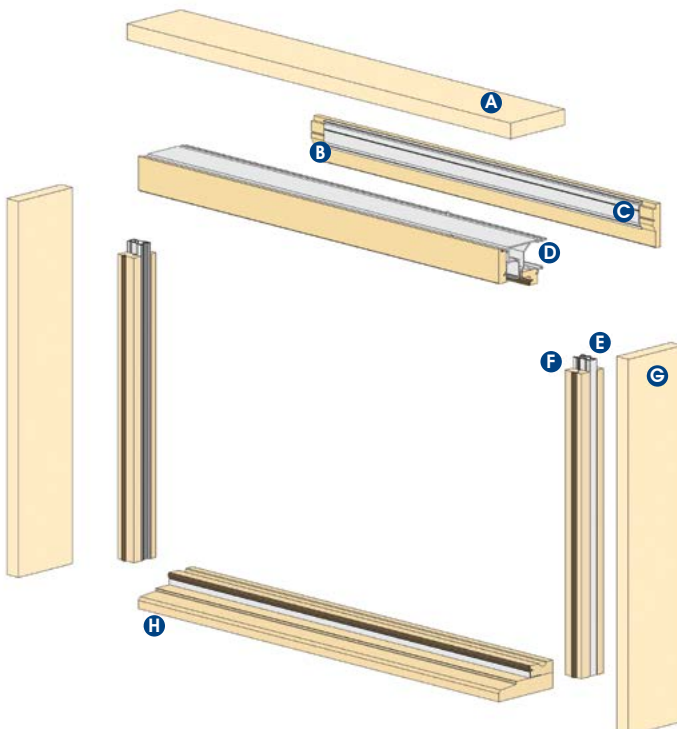
## Architectural Detail

### Surelock™



PATENTS APPLY

### Windowcalc™



The Centor WindowCalc XL™ package calculates exact panel and cutting sizes and also specifies the required hardware for the EW.

With WindowCalc™ you have several choices to obtain the desired window configuration.

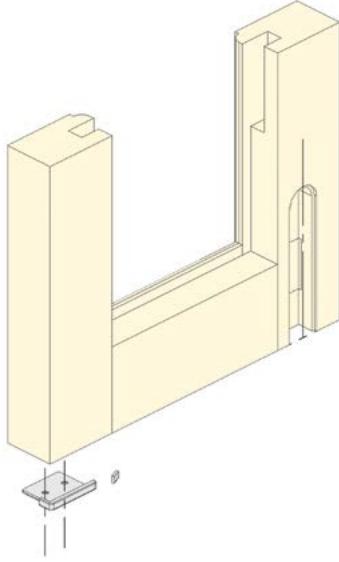
Your choices include: the number of sashes; window material (wood or aluminium); rollscreen; timber species; hardware and extrusion finishes; sill option (flat servey or not); seal colour; keying and dropbolt style.

WindowCalc™ will calculate all lengths and list all hardware and components required. Input either a rough opening size or a panel size and making the choices available, WindowCalc™ will calculate all the other details. Go to [www.centor.com.au](http://www.centor.com.au) to download WindowCalc™.

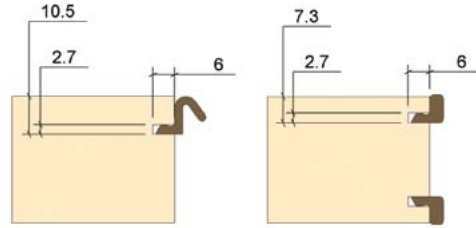
- A Head
- B Pelmet
- C Pelmet aluminium backing
- D Track assembly
- E Vertical screen guide
- F Vertical stops
- G Jamb
- H Sill assembly

# Architectural Detail

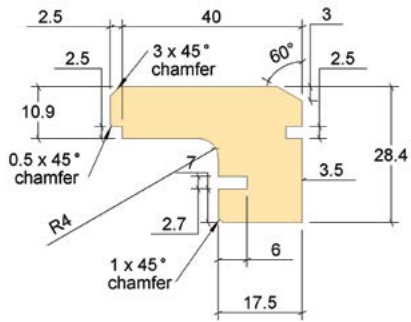
Sash Joinery Detail



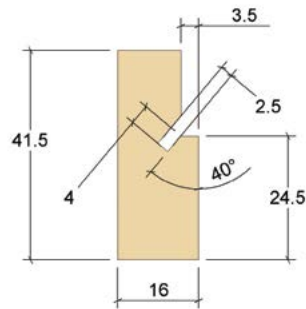
Seal Preparation Detail



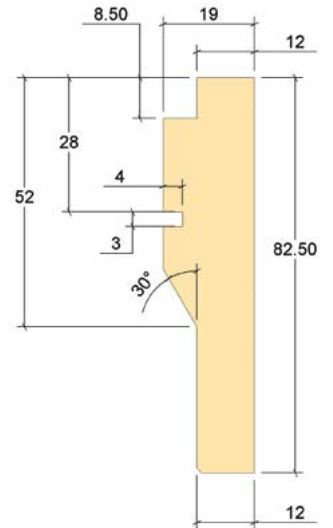
Head Stop



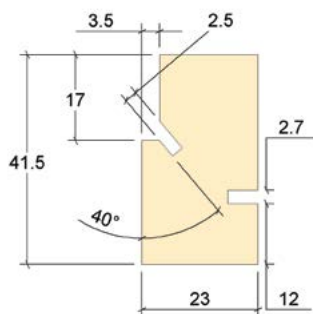
Vertical Stop (inside)



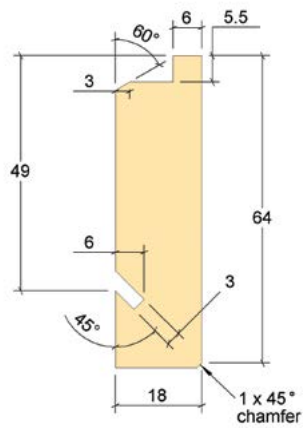
Pelmet



Vertical Stop (outside)



Face board



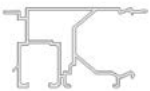



## Component Selection

A screened\* EW system is specified with 6 separate groups of components. Components are required from each group to build a screened EW folding window system.

- 1 **Aluminium Lineal Kit** – choose surface finish and size required to suit opening
- 2 **Timber Lineal Kit** – choose timber species and size required to suit opening
- 3 **Rollscreen Kit** – choose left or right handed operation and size required to suit opening
- 4 **Window Hardware Kits** – choose surface finish and hardware kits required to suit panel layout
- 5 **Dropbolts** – choose surface finish, type, size and number required to suit panel layout
- 6 **Weather Seals** – choose colour, type and amount of each seal required to suit opening size and panel layout

\* For non-screened please select a top track and proceed with steps 4, 5 and 6.






### ALUMINIUM LINEAL KIT\*

KIT CONTAINS THESE PARTS		SELECT KIT SIZE	SELECT FINISH	KIT CODE
 track x 1		1200 H x 1900 W	natural anodised	EWALK1219N
		1200 H x 1900 W	gold anodised	EWALK1219G
 vertical screen guide x 2		1200 H x 1900 W	custom powdercoat	EWALK1219PC
 pelmet backing x 1 mill finish only		1500 H x 2500 W	natural anodised	EWALK1525N
		1500 H x 2500 W	gold anodised	EWALK1525G
 sill guide x 1		1500 H x 2500 W	custom powdercoatv	EWALK1525W

\* Aluminium lineal kits contain the required head seal and vertical guide seals

## Component Selection

### TIMBER LINEAL KIT

KIT CONTAINS THESE PARTS	SELECT KIT SIZE	SELECT FINISH	KIT CODE
 head stop x 1	1200 H x 1900 W	new guinea rosewood	EWTLK1219NRG
	1200 H x 1900 W	western red cedar	EWTLK1219WRC
 face board x 1	1200 H x 1900 W	surian cedar	EWTLK1219SRC
	1500 H x 2500 W	new guinea rosewood	EWTLK1525NRG
 vertical stop (inside) x 2	1500 H x 2500 W	western red cedar	EWTLK1525WRC
	1500 H x 2500 W	surian cedar	EWTLK1525SRC
 pelmet x 1			
 vertical stop (outside) x 2			

Timber kits supplied are for 35mm sashes. Sashes of other thickness (say 32mm or 38mm) will require the customer to mill their own profiles to suit their sashes. Consult Centor Architectural for details.

## Panel Layouts

CODE	OPENING CONFIGURATION	HARDWARE		KEY* (SEE BELOW)
2L		Hardware Aluminium Lineal Kit Timber Lineal Kit Flyscreen Dropbolts	EW2 EWALK EWTLK EWR5 1 x DBSO300KR 1 x DBMI100KR	1 1 2 2 3 4 5 1 1
2R		Hardware Aluminium Lineal Kit Timber Lineal Kit Flyscreen Dropbolts	EW2 EWALK EWTLK EWR5 1 x DBSO300KR 1 x DBMI100KR	1 1 2 2 3 4 5 1 1
3L		Hardware Aluminium Lineal Kit Timber Lineal Kit Flyscreen Dropbolts	EW3 EWALK EWTLK EWR5 2 x DBSO300KR 2 x DBMI100KR	1 1 2 2 3 4 5 1 1
3R		Hardware Aluminium Lineal Kit Timber Lineal Kit Flyscreen Dropbolts	EW3 EWALK EWTLK EWR5 2 x DBSO300KR 2 x DBMI100KR	1 1 2 2 3 4 5 1 1
2L2R		Hardware Aluminium Lineal Kit Timber Lineal Kit Flyscreen Dropbolts	EW2L2R EWALK EWTLK EWR5 2 x DBSO300KR 2 x DBMI100KR	1 1 2 2 3 4 5 1 1
4R		Hardware Aluminium Lineal Kit Timber Lineal Kit Flyscreen Dropbolts	EW4 EWALK EWTLK EWR5 2 x DBSO300KR 2 x DBMI100KR	1 1 2 2 3 4 5 1 1
4L		Hardware Aluminium Lineal Kit Timber Lineal Kit Flyscreen Dropbolts	EW4 EWALK EWTLK EWR5 2 x DBSO300KR 2 x DBMI100KR	1 1 2 2 3 4 5 1 1

### KEY\*

<b>1 finish</b> G = Gold N = Satin W = White	<b>3 timber finish</b> NGR = New Guinea Rosewood SRC = Surian Cedar WRC = Western Red Cedar	<b>5 flyscreen handing</b> L = left hand R = right hand
<b>2 kit size</b> 1219 = 1200 High x 1900 Wide 1525 = 1500 High x 2500 Wide	<b>4 flyscreen length</b> 19 = 1900 long 25 = 2500 long	

## Weather Certification

### Test Results

A window was tested and certified by a NATA accredited testing facility (laboratory 14093) for a window 1500 x 2500mm in Western Red Cedar. This test certificate is valid for any stonger species of wood at the ratings listed here. For higher ratings using stronger species, retesting will be required. Contact Centor for full manufacturing details.

### Weathersealing

The Centor EW folding system was designed specifically for use in external environments, typically where a sliding glass window would previously be used. The system allows folding window panels to close tightly against weatherseals to effectively resist water penetration and air infiltration.

The system was the first tracked timber folding window system to be successfully certified against Australian Standard AS2047 by a Testing Laboratory accredited by the National Association of Testing Authorities, Australia (N.A.T.A.)

The EW was tested using Aquamac™ Kerf Seals and has been certified to meet the 150Pa water rating and 1 l/sec air infiltration rating.

### A Guide to AS2047

- 1 Air Infiltration Test specifies the maximum air infiltration allowed at a given pressure. As a guide, at 75Pa pressure, a rating of less than 1.0 litres/second/sqm for high performance windows.
- 2 Water Penetration specifies the maximum pressure at which there shall be no penetration of uncontrolled water beyond any internal surface of the window. The minimum rated pressure specified by the standard is 150Pa.
- 3 Ultimate Strength specifies that the windows and hardware shall not collapse when subjected to positive (inwards) or negative (outwards) pressure. As a guide, the minimum rated load is 600Pa.

### AS2047 TEST RESULTS - CERTIFICATE NO. 0038

EW	
min water penetration	150Pa
max air infiltration (per sq.m.)	0.2 litres/sec
deflection test	1000Pa
min ultimate strength	1500Pa

While every effort has been made to ensure the accuracy of the information in this publication, Centor assume no responsibility for errors or omissions or any consequences of reliance solely on this publication.



**Centor Australia Pty Ltd** | ABN 96 009 716 189  
telephone 1300 CENTOR (1300 236 867)  
facsimile 1300 CENFAX (1300 236 329)  
mail@centor.com.au | www.centor.com.au

**BRISBANE**

**Centor Australia Pty Ltd**  
**Head Office & Factory**  
997 Kingsford Smith Drive  
PO Box 1550  
Eagle Farm QLD 4009

**SYDNEY**

**Centor Australia Pty Ltd**  
Unit 1/5 Merryvale Road  
Minto NSW 2566

**MELBOURNE**

**Centor Australia Pty Ltd**  
Suite G03/12 Corporate Drive  
Moorabbin VIC 3189

**ADELAIDE**

**Centor Australia Pty Ltd**  
34 Fullarton Road  
Norwood SA 5067

**PERTH**

**Centor Australia Pty Ltd** Unit  
5b, 151 Herdsman Parade  
Wembley WA 6014

**TASMANIA**

**Launceston**

**Access Hardware Pty Ltd**  
12 Goodman Court  
Launceston TAS 7248  
telephone +61 3 6324 4900  
facsimile +61 3 6324 4901

**Hobart**

**Access Hardware Pty Ltd**  
21 Brisbane Street  
Hobart TAS 7000  
telephone +61 3 6235 9000  
facsimile +61 3 6235 9001