

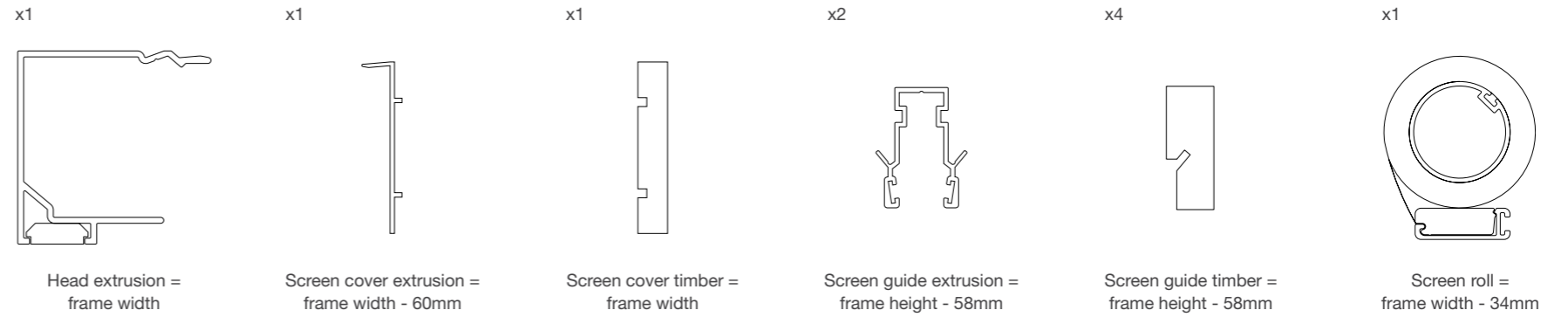
Centor S5 Screen

For timber windows

centorhardware.com

centor®

1. Cut parts to length

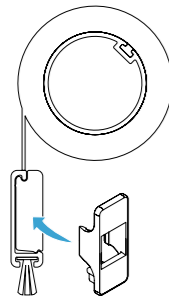


WARNING

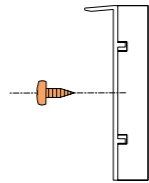
Remove spring from screen tube before cutting. Do not unwrap – cut tube, mesh and rail in one operation. Cut opposite end of screen cover timber to the ball chain guide.

2. Assemble parts

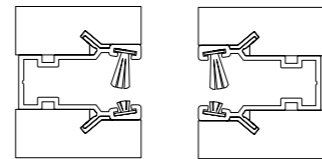
Fit seal and end caps to screen rail.



Centre extrusion with timber – approx. 30mm from either end. Screw screen cover timber to screen cover extrusion.

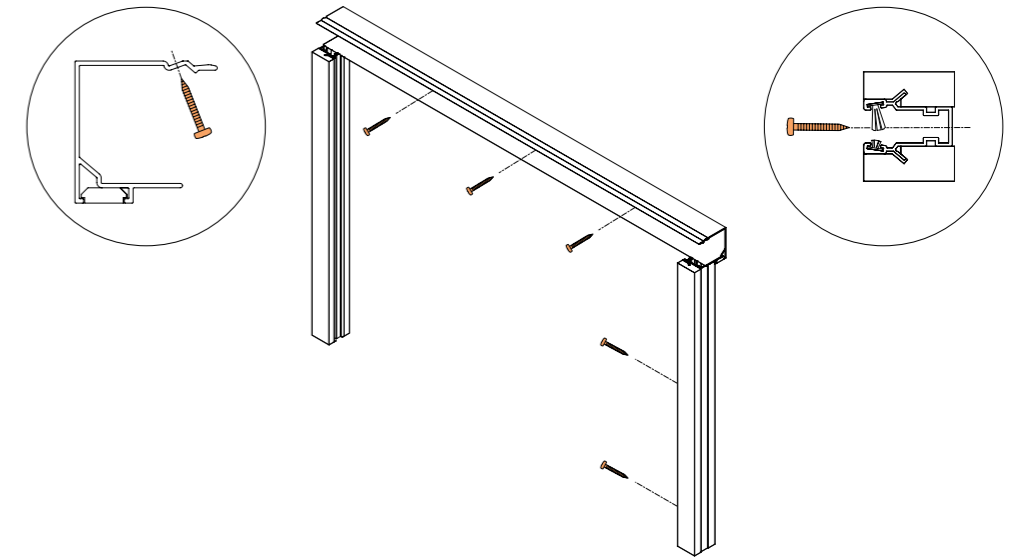


Fit screen guide timber to screen guide extrusion and fit seals. Fit the larger seal to the exterior.



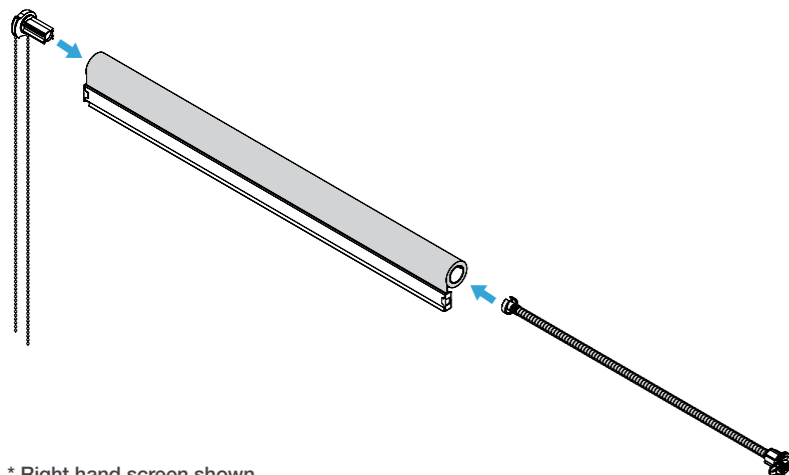
3. Fix into frame

Using 8 gauge screws (not supplied) fit head into window frame at max. 450mm centres. Next, fit screen guides into window frame at max. 450mm centres.



4. Prepare screen roll

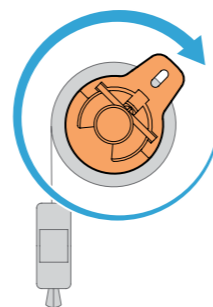
a) Insert ball chain mechanism and spring into screen roll leaving the end of the spring out of roll.



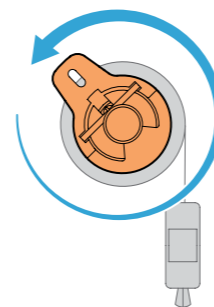
b) Tension the screen using the table below to select the number of turns.

Screen tension	
Width (mm)	No. turns
500	4
900	6
1200	16
1500	20
1800	25
2400	40

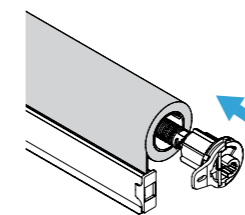
Right hand screen



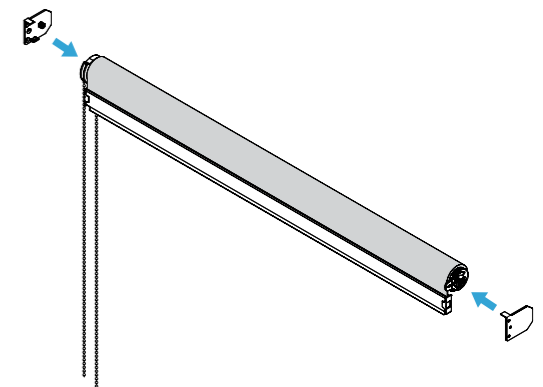
Left hand screen



c) Push remaining length of spring into screen roll.



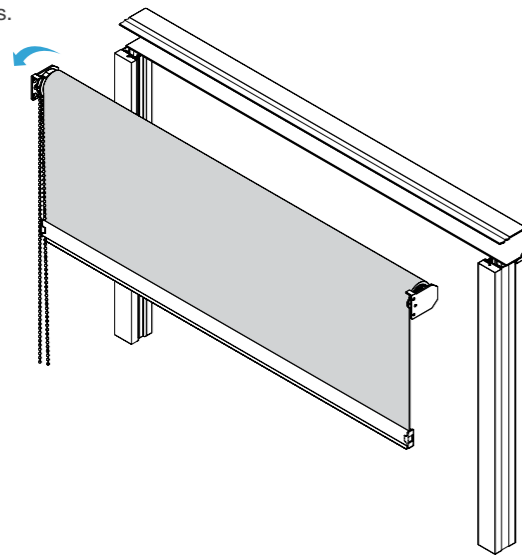
d) Fit end caps.



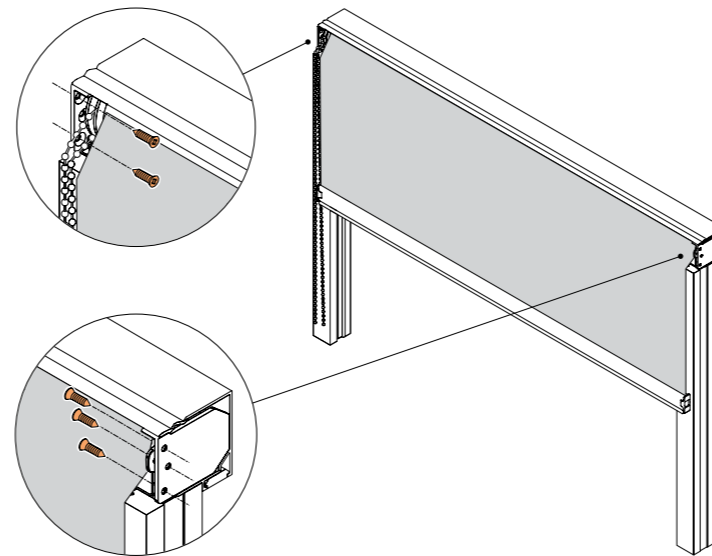
* Right hand screen shown

5. Fit screen into head

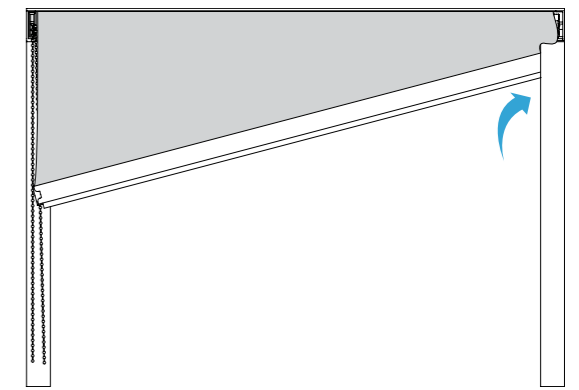
a) Unroll screen 3 wraps.



b) Fix the screen into the frame with 2 screws at ball chain mechanism and 3 screws at spring end.



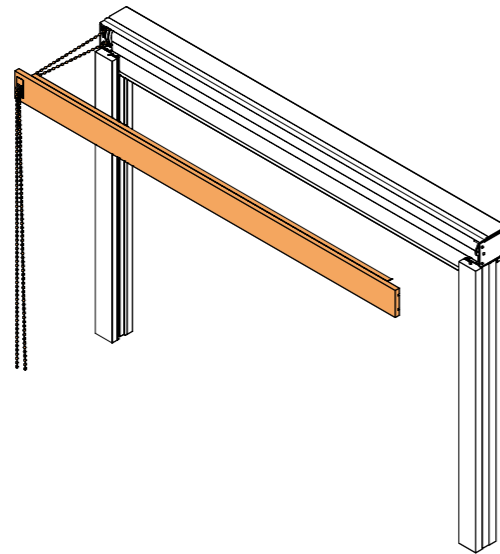
c) Lift the rail in place between screen guides.



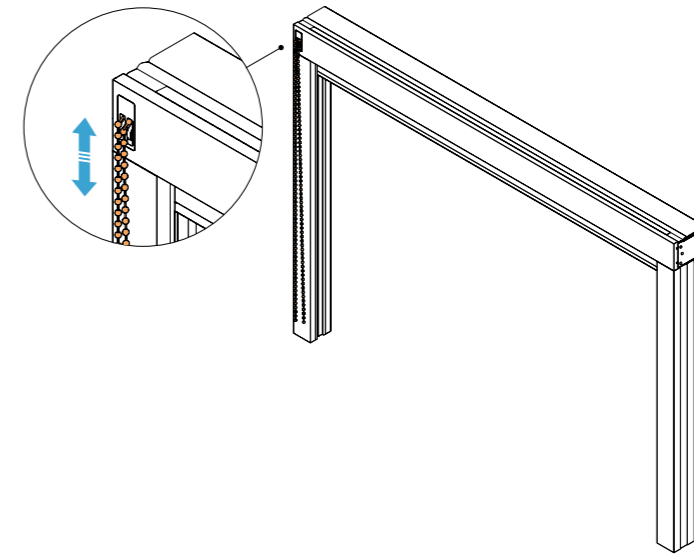
6. Fit screen access cover and test

a) Thread ball chain through screen access cover. Do not connect the ball chain ends yet.

b) Snap-fit the screen access cover to the head.



c) Operate the screen fully to ensure the ball chain joiner won't become lodged in the top guide. If it does, pull screen tube out and reposition the ball chain and the sprocket.

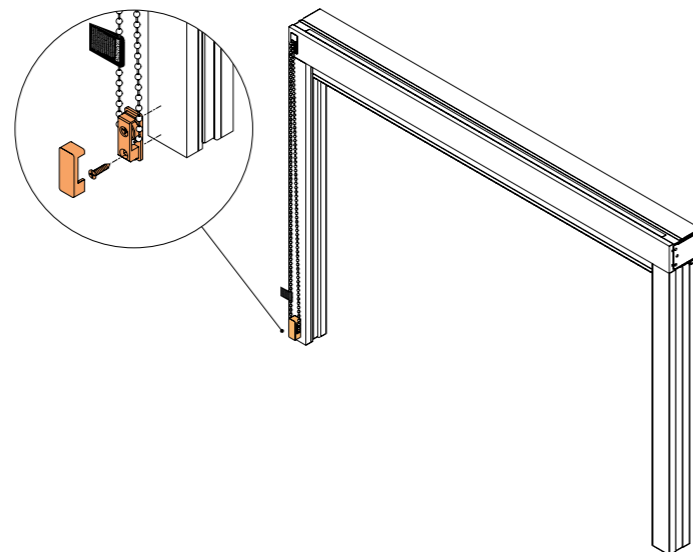


7. Secure ball chain

a) Thread the warning label through the ball chain.

b) Thread the ball chain through the chain guide and connect the chain with joiner.

c) Screw the chain guide in position and fit the cover to it.



WARNING

To avoid creating a possible strangulation hazard for children, this corded internal window covering must be installed in such a way that a loose ball chain cannot form a loop 220mm or longer at a height of less than 1600mm above floor level. See suggestions below:

- A ball chain guide may be installed lower than 1600mm above floor level if the ball chain is sufficiently secured or tensioned to prevent a loop 220mm or longer from being formed;
- If a chain guide is installed lower than 1600mm above floor level it must be designed to prevent a child from being able to remove the ball chain;
- If a chain guide is used to secure the ball chain it must be at least 1600mm above floor level because a child is capable of unwinding a ball chain from a chain guide.