

E2

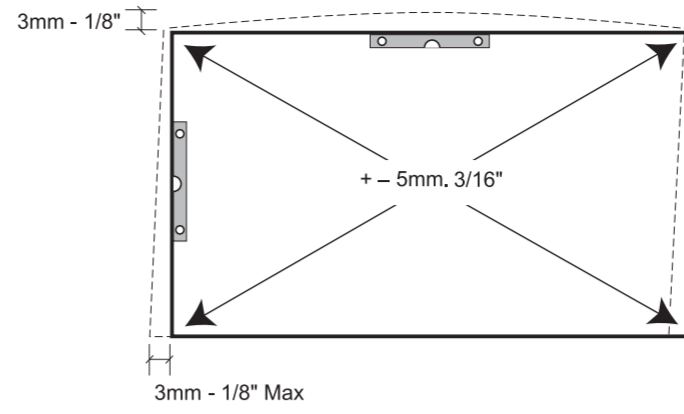
Centor Europe
+44 (0)121 701 2500
mail.uk@centor.com

Centor North America
toll free 866-255-0008
mail.us@centor.com

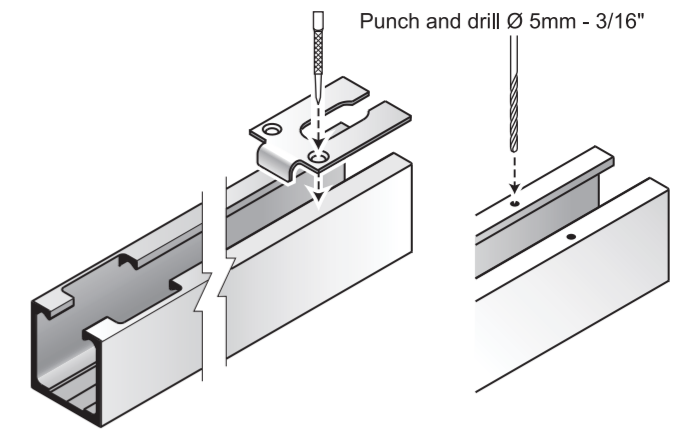
Centor Asia Pacific
1300 CENTOR
mail.au@centor.com



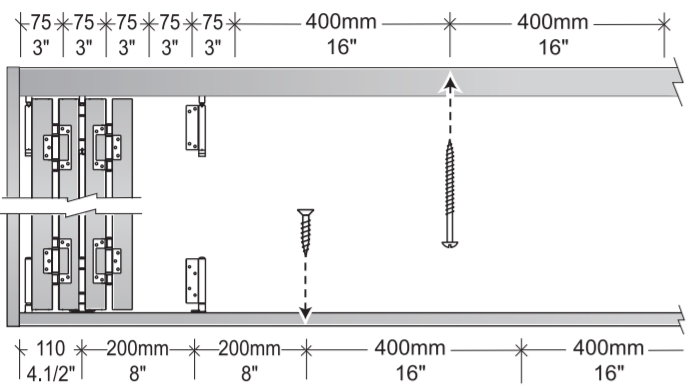
1. INSTALL FRAME



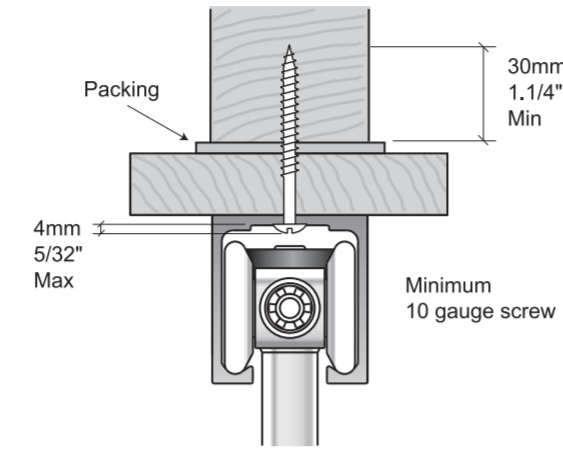
2. BI-PARTING SETS ONLY



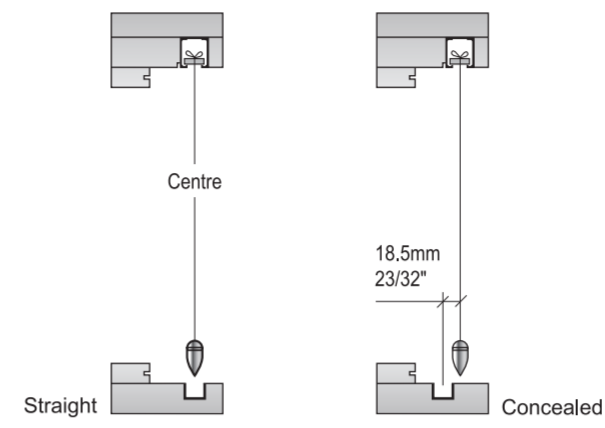
3. MAXIMUM TRACK FIXING CENTRES



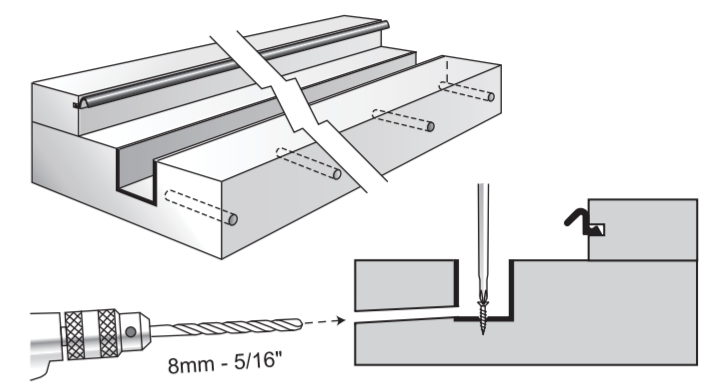
4. TRACK FIXING & CARRIER CLEARANCE



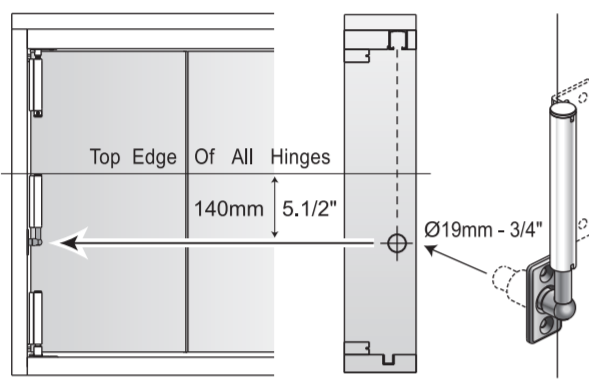
5. FRONT ALIGNMENT



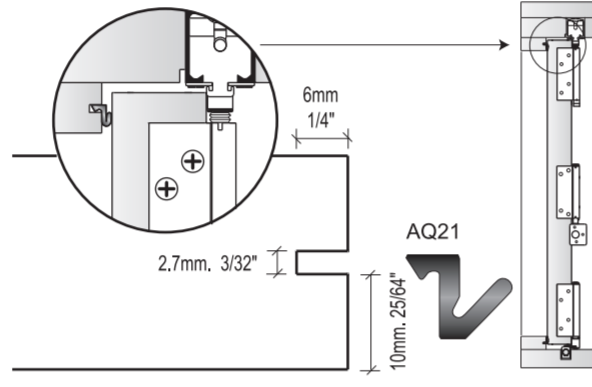
6. CHANNEL FIXING - DRAINAGE



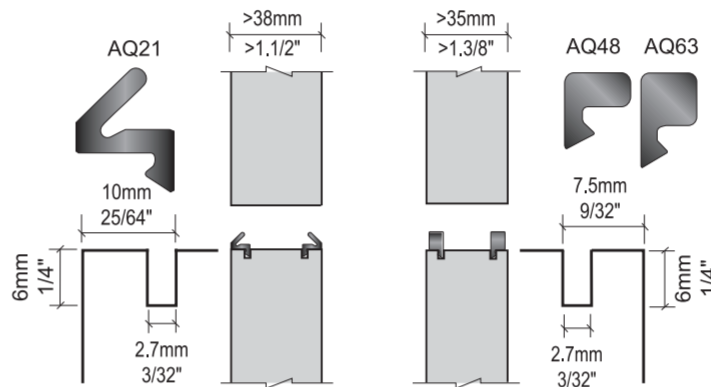
7. WALL PIVOTS



8. PERIMETER SEAL



9. PANEL SEALS



10. CALCULATING PANEL SIZE

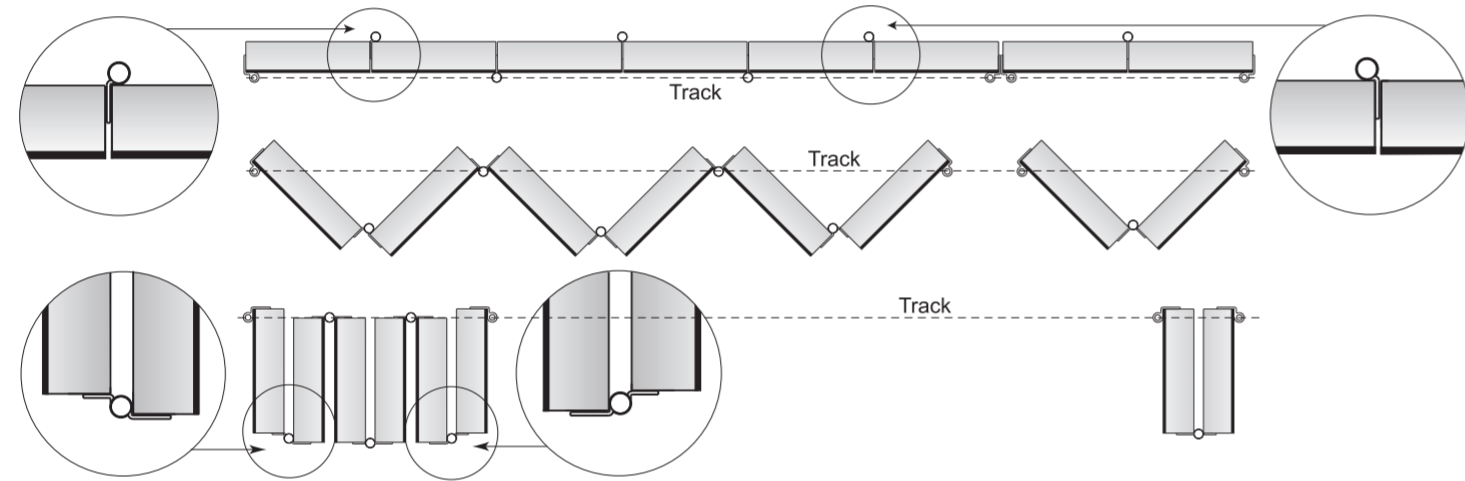
E2 Calc XL Spreadsheet
The Centor E2 DoorCalc XL is designed for the E2 folding door system. E2 Calc XL will operate on any system running Microsoft Excel 95 or later.

To download the E2 DoorCalc visit

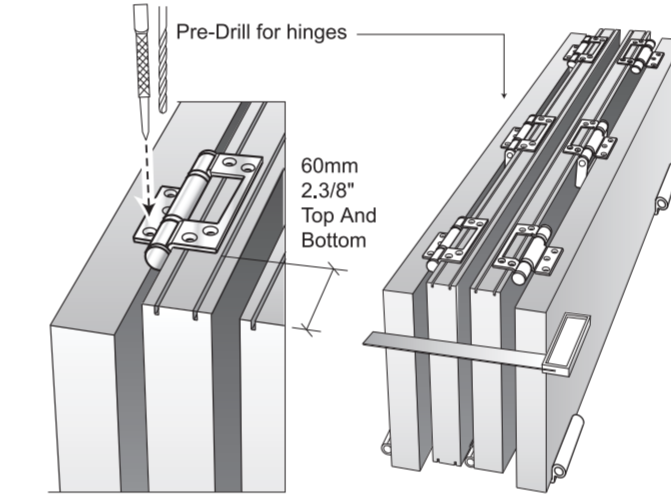
Centor Europe
www.centor.eu/folding
Centor North America
www.centorusa.com/folding
Centor Asia Pacific
www.centor.com.au



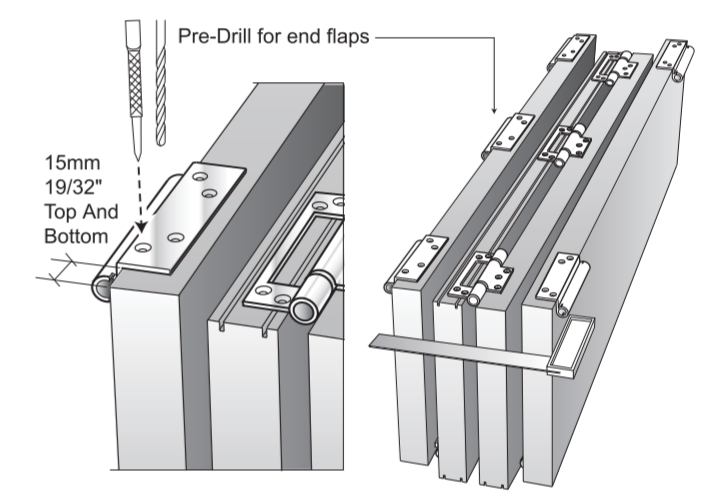
11. PANEL ORIENTATION



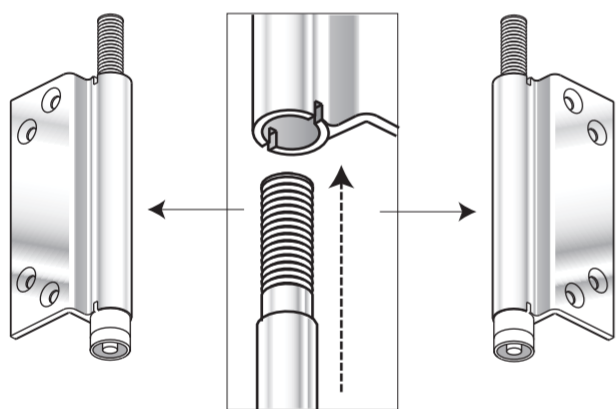
12. HINGES



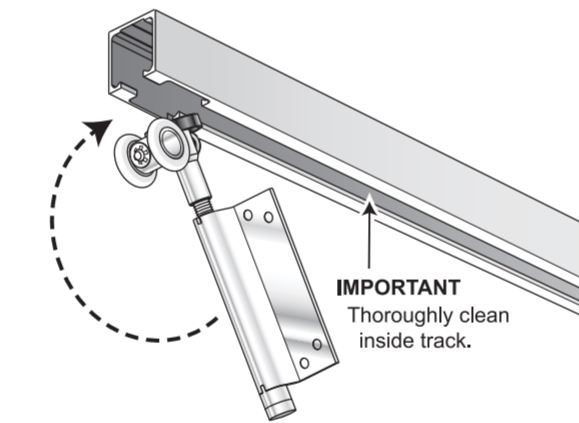
13. CARRIERS & GUIDES



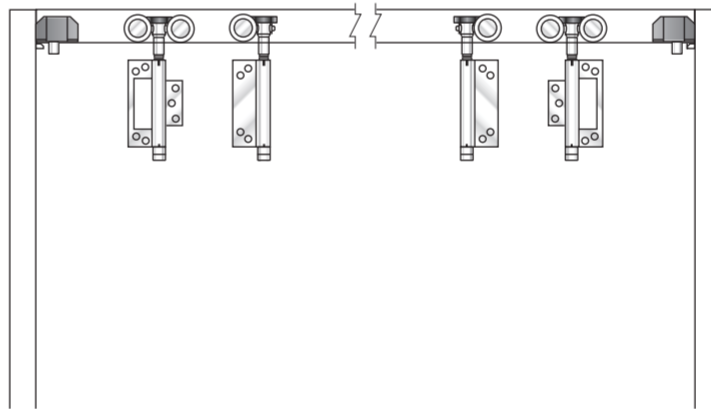
14. ASSEMBLY - REVERSIBLE



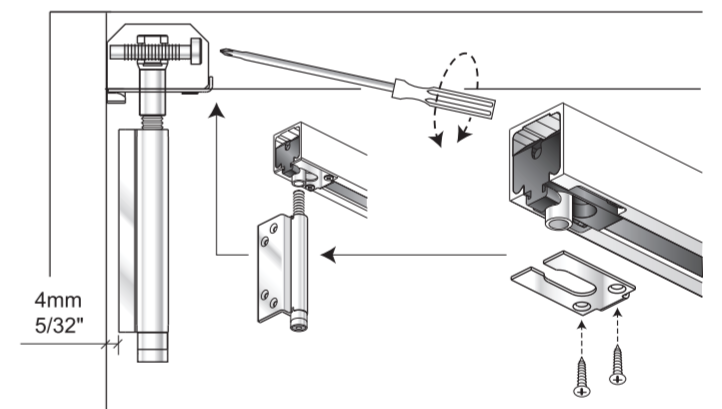
15. HARDWARE INSTALLATION



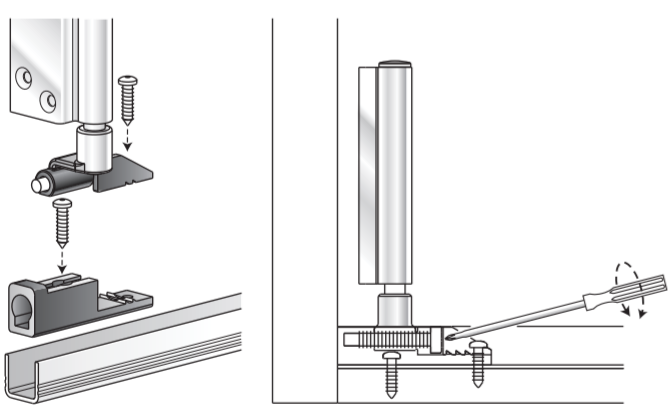
16. HARDWARE ORIENTATION



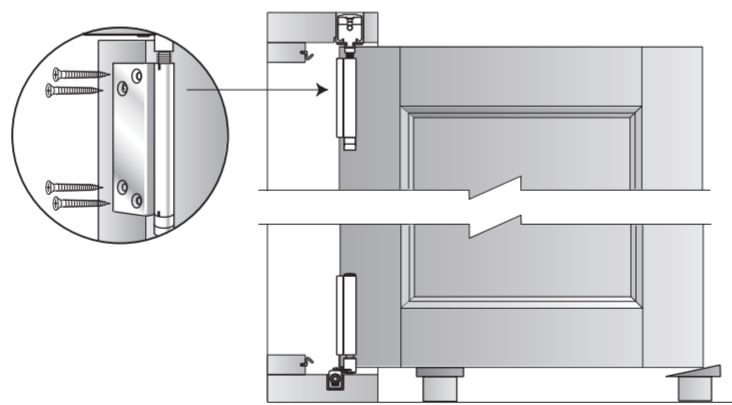
17. TOP PIVOT BLOCK



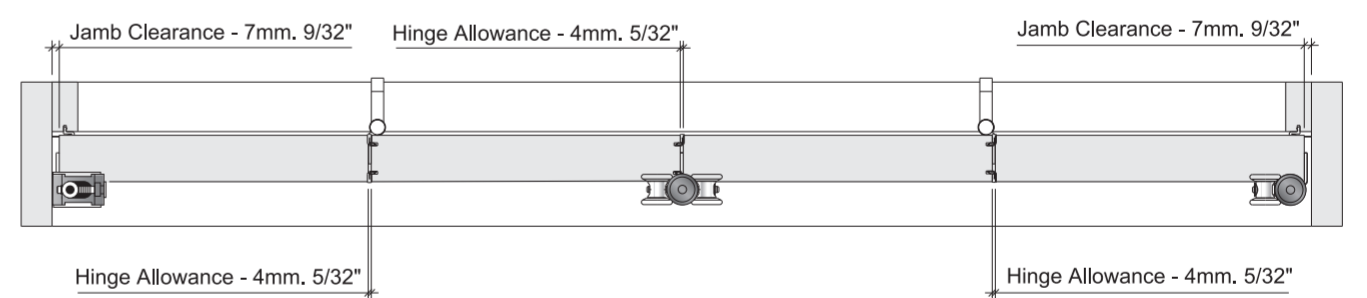
18. BOTTOM PIVOT BLOCK



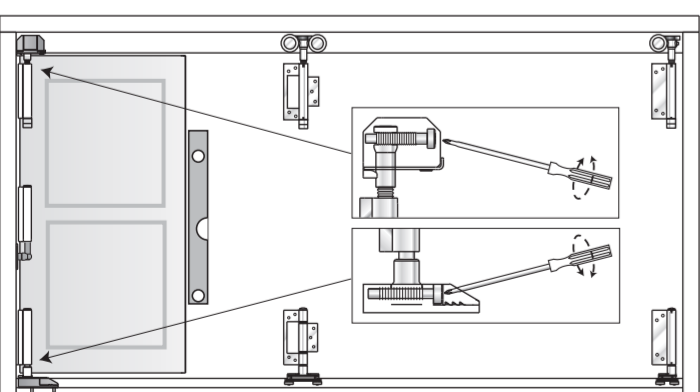
19. FITTING PIVOT PANEL



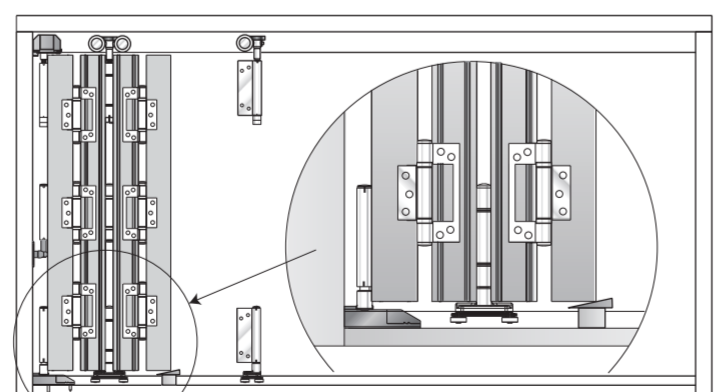
ELEVATION AND OVERVIEW



20. PANEL ADJUSTMENT



21. ADDING PANELS



22. FINAL ADJUSTMENT

